



L6

AR14.00-P-5303D

Removing and installing lambda sensor

3.8.94

ENGINE 104.94 /99, 111.920 /921 /94 /96 /970 /973 /974 /975 /977 (except , 104.990)

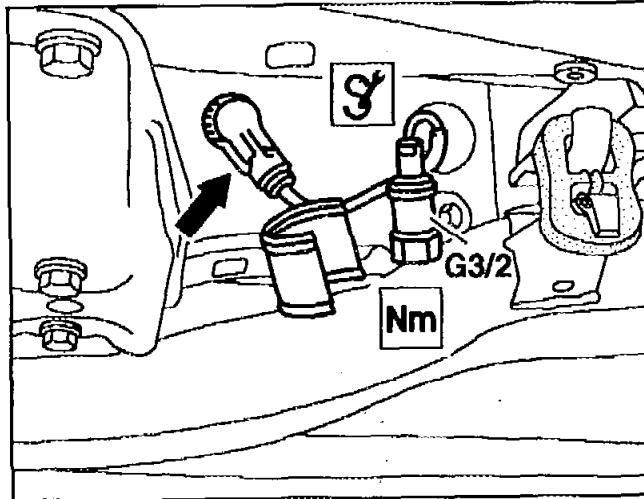
Left-hand illustration

Shown on engine 104, model 124

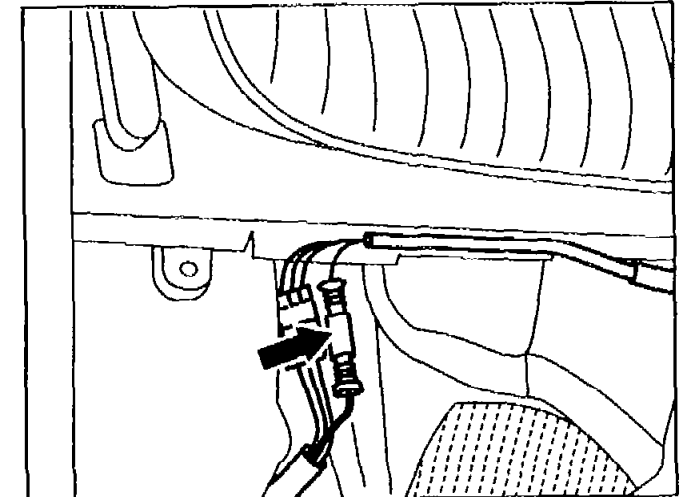
1st version

G3/2 O₂ sensor

Arrow O₂ sensor connector



P14.00-0206-01



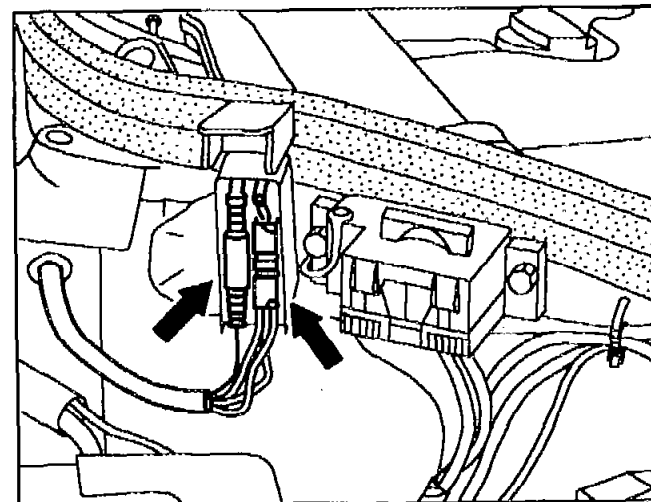
P14.00-0207-01

Right-hand illustration

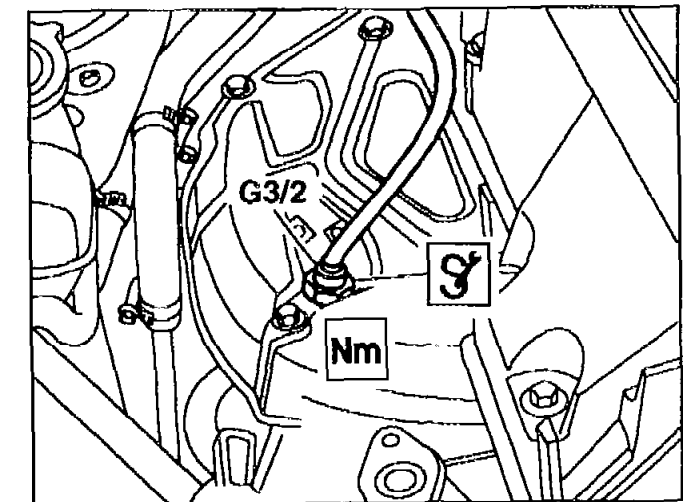
Shown on engine 104, model 124

2nd version

Arrow O₂ sensor connector



P14.00-0208-01



P14.00-0209-01

Left-hand and right-hand illustration

Shown on engine 111, model 124

2nd version

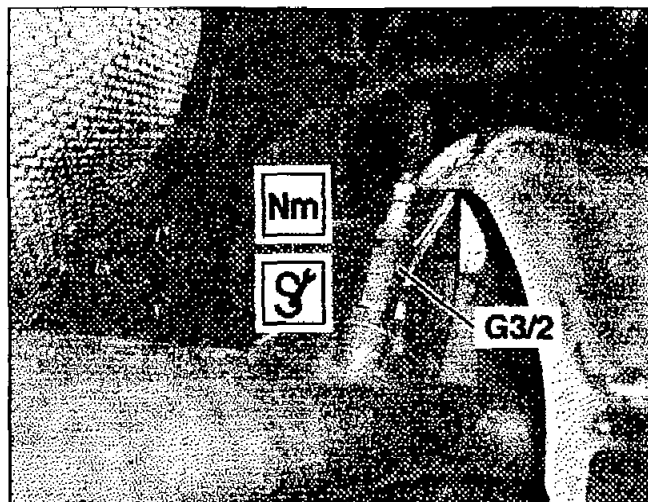
Arrows O₂ sensor connector

G3/2 O₂ sensor



Left-hand illustration
Shown on engine 111 in model 163

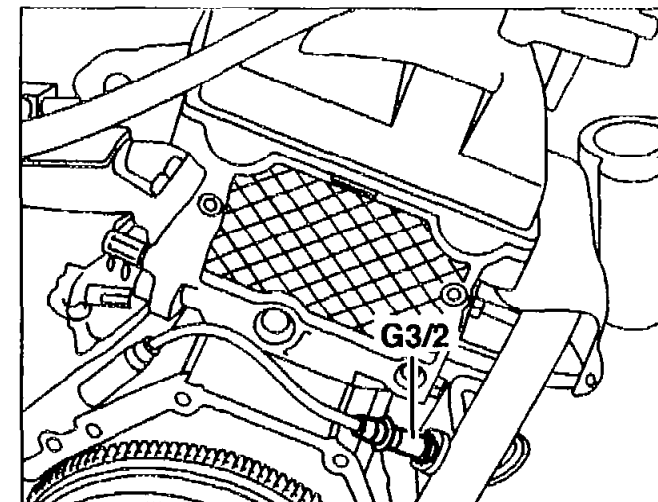
G3/2 O₂ sensor



P14.00-2011-01

Right-hand illustration
Shown on engine 111 in model 170, 202,208

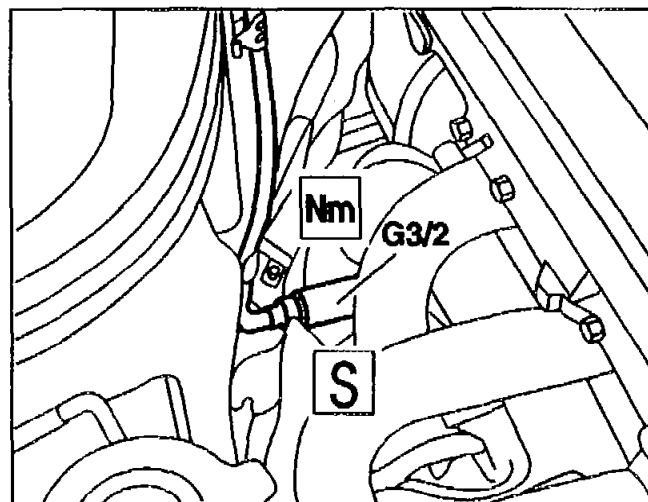
G3/2 O₂ sensor



P14.00-0244-01

Left-hand illustration
Shown on engine 111 in model 210

G3/2 O₂ sensor

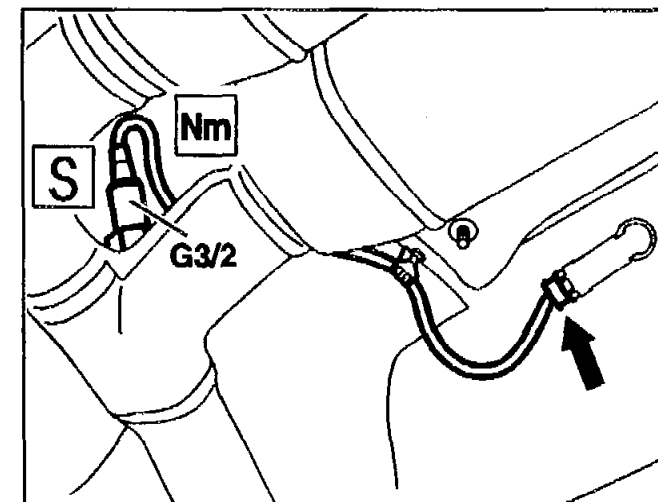


P14.00-0216-01

Right-hand illustration
Shown on engine 104 in model 210

G3/2 O₂ sensor


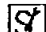


Arrow O₂ sensor connector



P30.12-0205-01

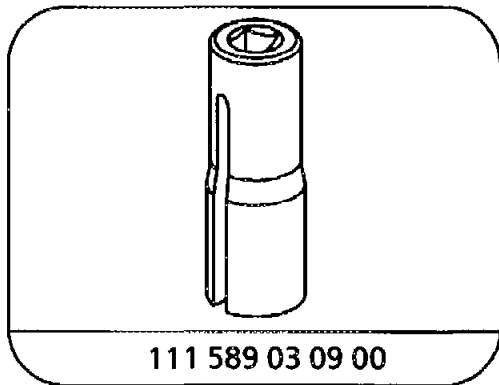
Fig. item, etc.	Work instructions		
G3/2	Lambda sensor	Installation: Coat thread of lambda sensor with hot lubricating paste	BR00.45-Z-1006-06A



		   	111 589 03 09 00 000 589 71 03 00 001 589 66 21 00 BA14.00-P-1001-01A
--	--	--	--

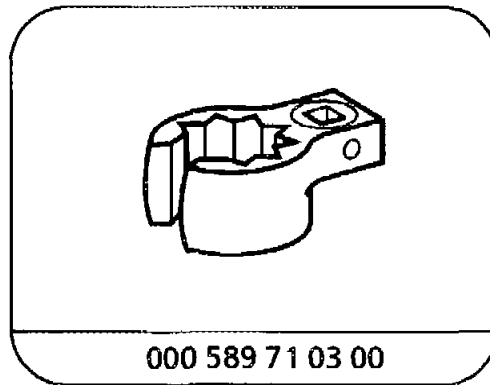
 Lambda sensor

Number	Designation	Engine 104, 111, 112, 113, 119, 120, 166
BA14.00-P-1001-01A	Lambda sensor on exhaust pipe/ exhaust manifold	Nm 55



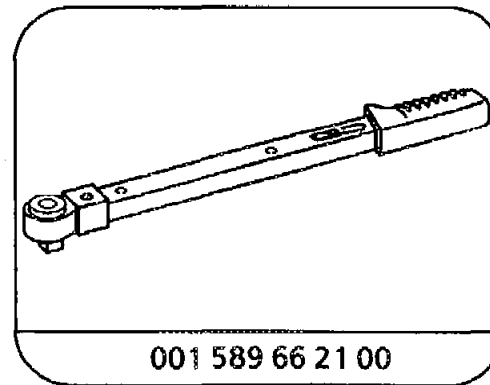
111 589 03 09 00

Wrench socket



000 589 71 03 00

Box wrench socket



001 589 66 21 00

Torque wrench

**Repair product**

Number	Designation	Order number
BR00.45-Z-1006-06A	Hot lubricating paste	000 989 76 51