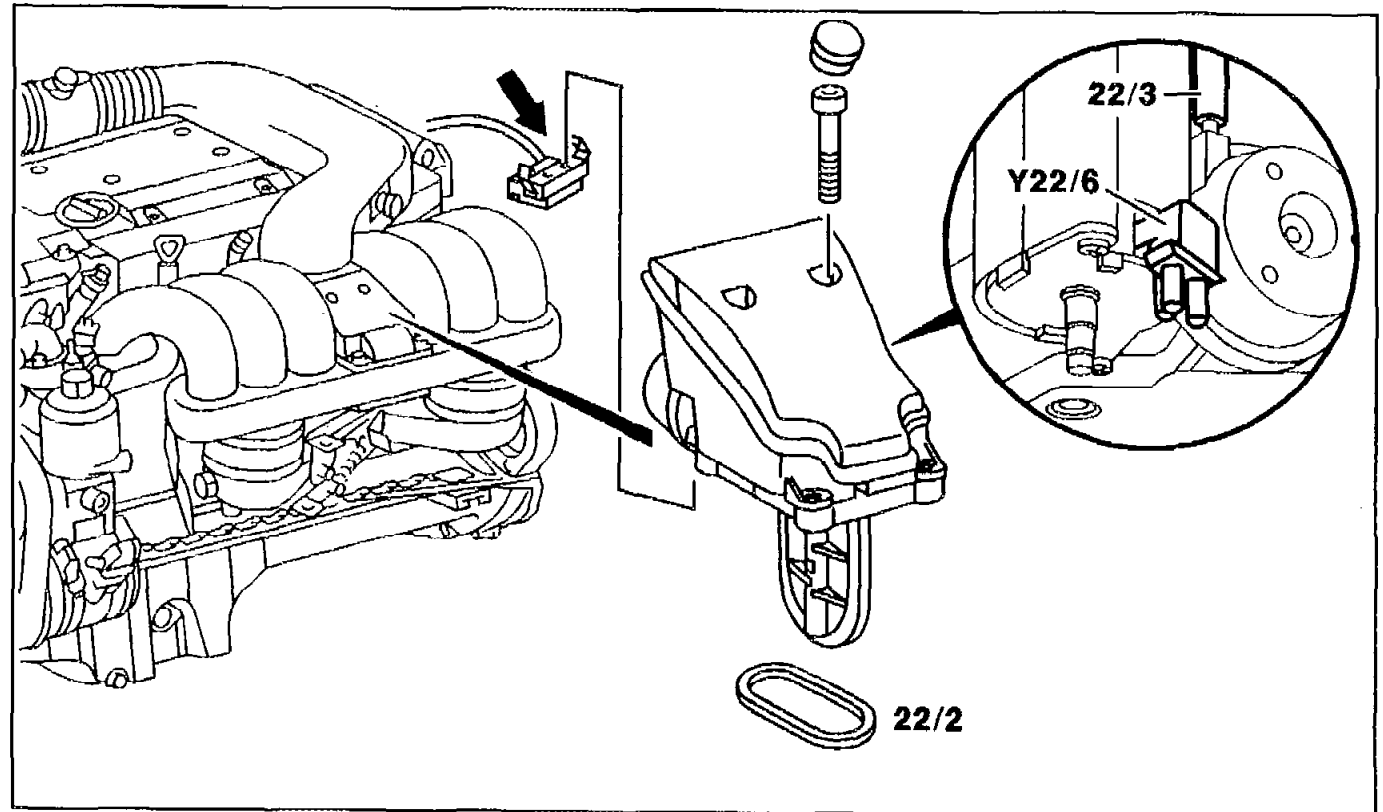


<p>J4 AR09.20-P-1791D</p>	<p>Removing and installing resonance flap</p>	<p>3.8.94</p>
----------------------------------	--	----------------------

ENGINES 104.94/99 (except 104.990)

- 22/2 Gasket
- 22/3 Vacuum connection
- Y22/6 Resonance intake manifold switchover valve
- Arrow Coupling



P09.20-0235-05

Fig. item, etc.	Work instructions		
<p>i Arrow</p>	<p>Coupling</p>	<p>pull off vacuum connection (22/3) at the resonance intake manifold switchover valve (Y22/6)</p>	



22/2	Gasket	replace	
------	--------	---------	--