



E2

AR09.10-P-1050G

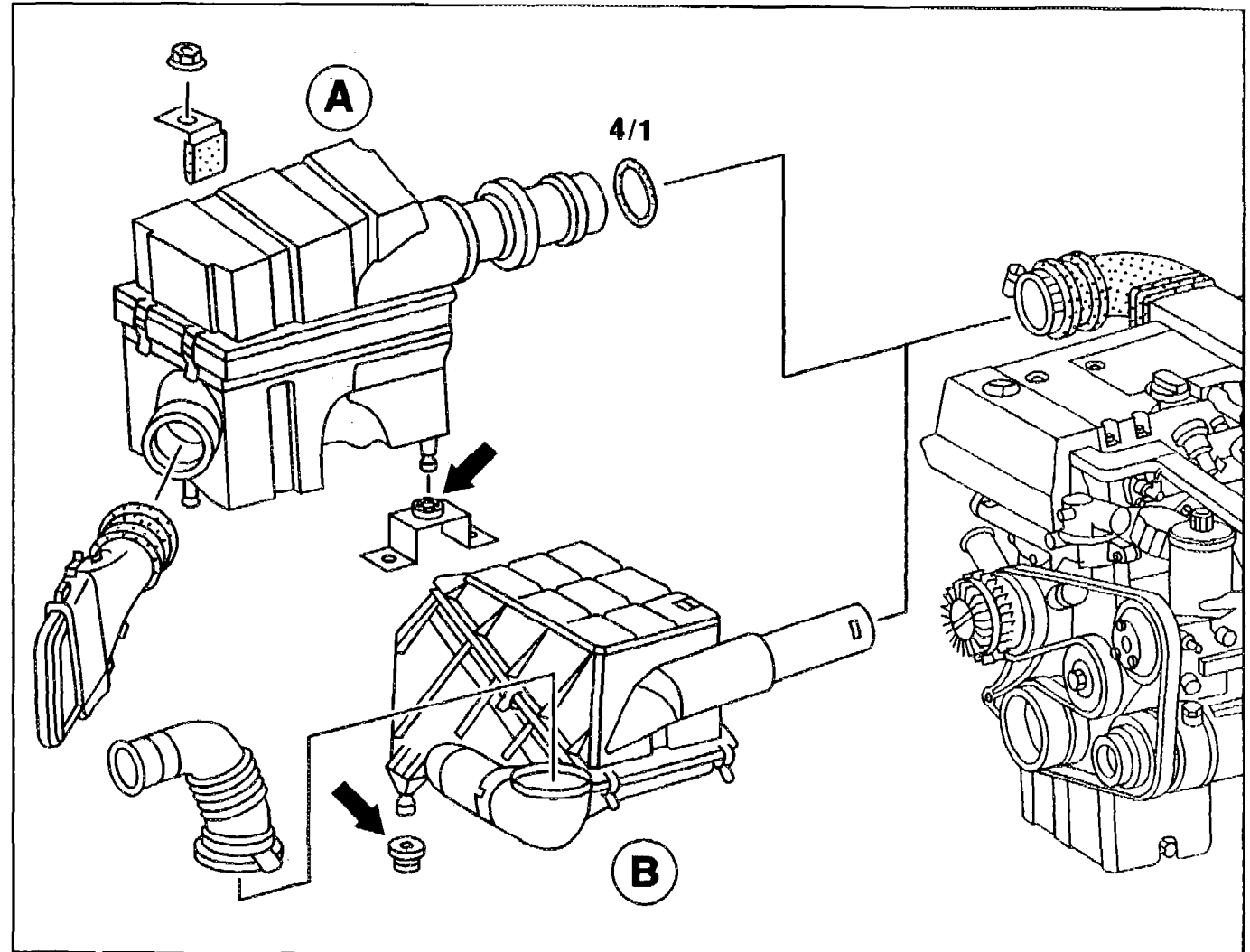
Removing and installing air cleaner

3.8.94

ENGINE 111.920 /921 /940 /941 /945 /946 /960 /961 /974 /977**Shown****A** Model 124**B** Model 202, 208 (except with engine 111.975)

4/1 O-ring

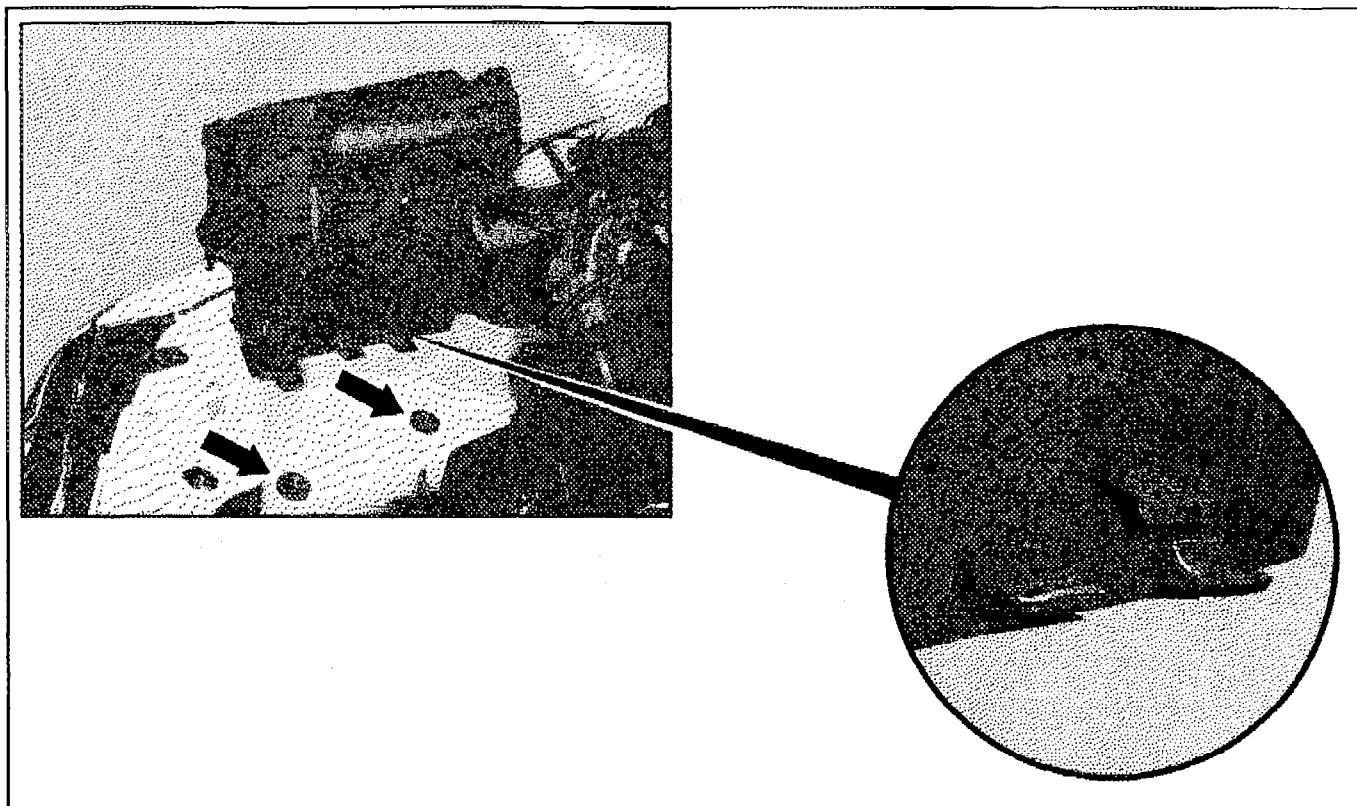
Arrow Rubber mount

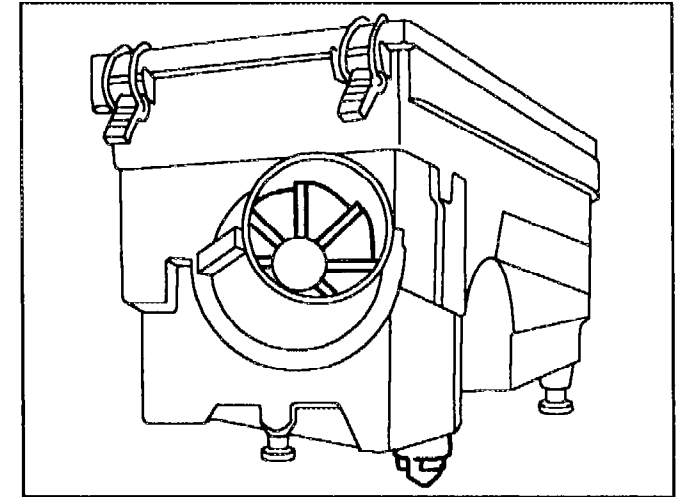




Model 163 with engine 111.977

Arrows Rubber mounts




**Cyclone separator (only model 124)**

P09.10-0203-01

Fig. item, etc.	Work instructions		
i	Cyclone separator	<p>Model 124 When retrofitting, replace complete air cleaner.</p> <p>Model 163, 170, 202 Retrofitting not possible. Air cleaner element provided with filter felt or foam</p>	
4/1	O-ring (HFM-SFI only)	i Installing: Check, replace if necessary. Oil for installing	
Arrows	Pins of air cleaner	i Installing: Press into rubber mount (arrow)	



	Coolant hose	Model 163 Take out of guide at air cleaner	
---	--------------	--	--