



01

AR07.52-P-1480G

Removing and installing diaphragm pressure damper

3.8.94

**ENGINE 111.92,
111.940 up to 1.6.93,
111.941**

41/8 O-ring

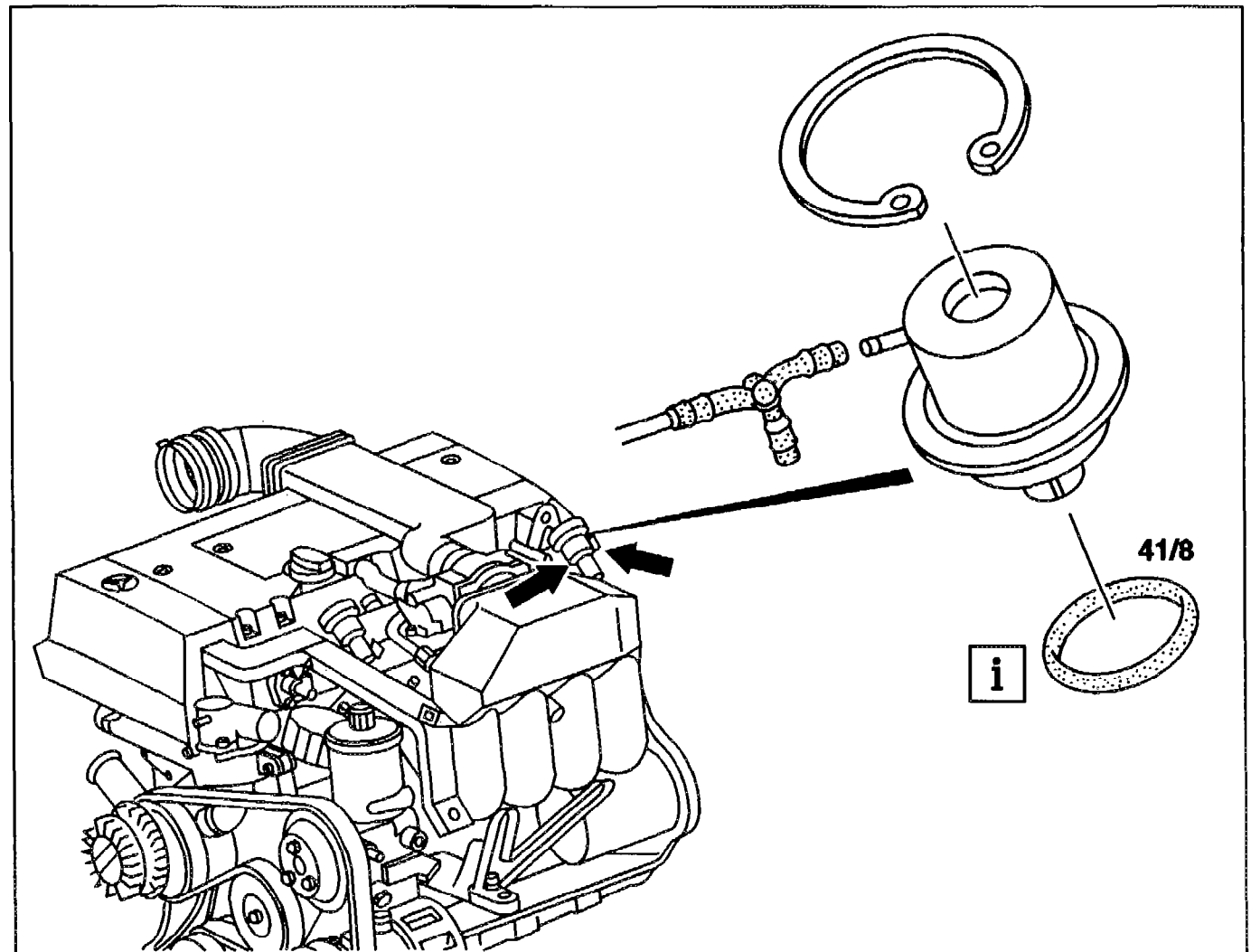
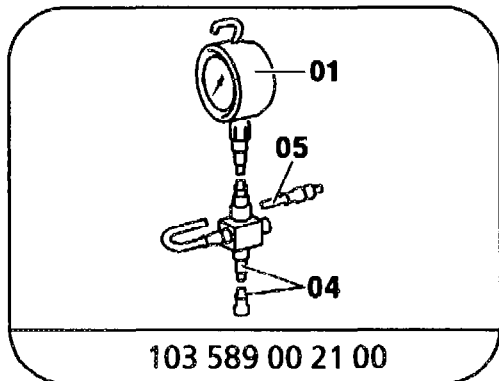
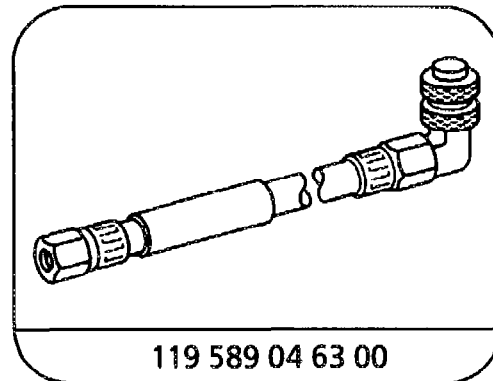




Fig. item, etc.	Work instructions		
<p>⚠ Danger!</p>	<p>Risk of explosion as a result of ignition. Risk of poisoning as a result of inhaling and swallowing fuel. Risk of injury to skin and eyes as a result of contact with fuel.</p>	<p>No fire, naked flame or smoking. Pour fuels only into suitable and appropriately marked vessels. Wear protective clothing when handling fuel.</p>	<p>AS47.00-Z-0001-01A P16</p>
<p>i 41/8</p>	<p>O-ring</p>	<p>replace; oil for installing</p>	
<p>i</p>	<p>Fuel pressure</p>	<p>release through service valve at fuel rail See DM Engine Volume 2, Index 4</p> <p>Ⓢ Ⓢ</p>	<p>103 589 00 21 00 119 589 04 63 00</p>



Tester



Pressure hose