



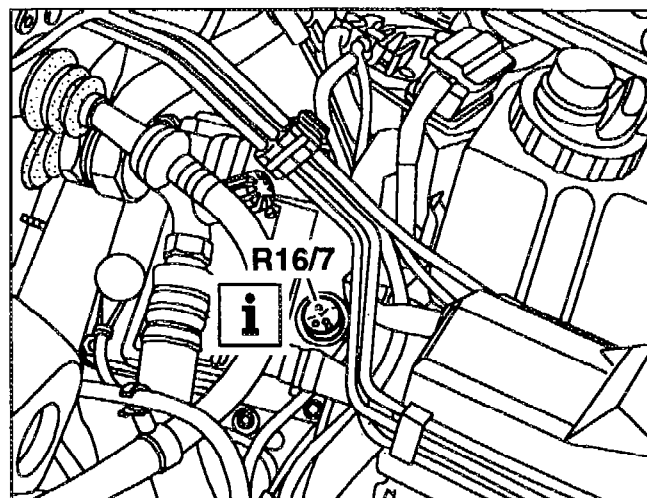
M1	AR07.51-P-1459D	Removing, installing HFM-SFI variable reference resistor	3.8.94
-----------	-----------------	-----------------------------------------------------------------	---------------

ENGINE 104.941 /942 /943 /944 /991 /992 /994, 111.920 /940 /941 /944 /960 /961

Left-hand illustration

Shown on engine 111, model 124

R16/7 Variable reference resistor coupling (PEC)

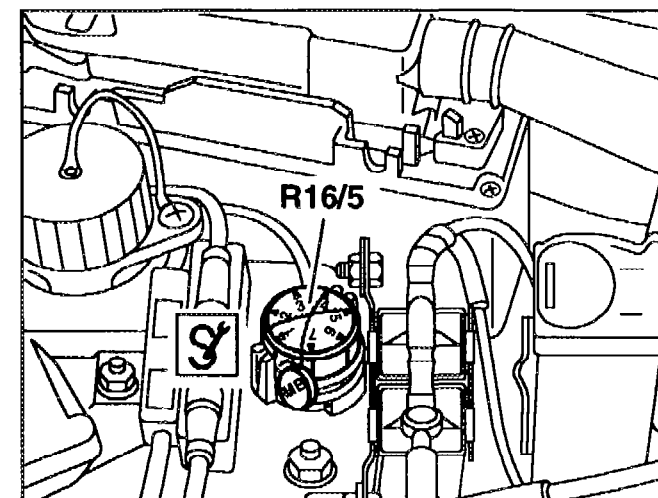


P07.50-0265-01

Right-hand illustration

Shown on engine 104, model 202

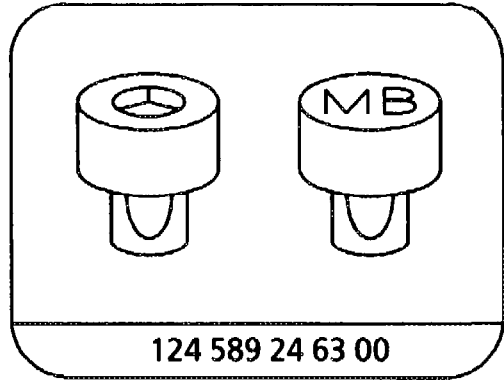
R16/5 Hot film engine management (HFM-SFI) variable reference resistor



P07.50-0266-01

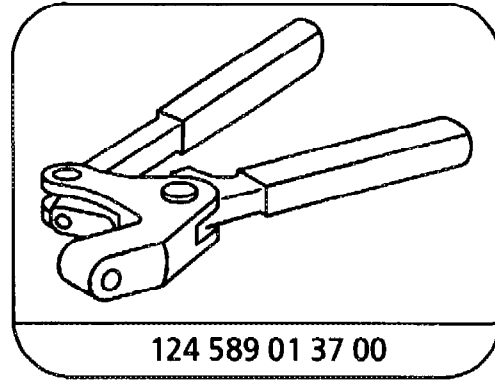
Fig. item, etc.	Work instructions		
R16/5	Variable reference resistor (HFM-SFI)	<p>i Raise windshield washer reservoir and place to the side for removing and installing.</p> <p>Fit on new anti-tamper seal</p> <p>S</p> <p>S</p>	<p>124 589 24 63 00</p> <p>124 589 01 37 00</p>
R16/5, R16/7	Variable reference resistor (HFM-SFI)/ reference resistor coupling (PEC)	Pay attention to adjustment position. See DM Engine, Volume 2, Index 1 and 4	

R16/7 BT	Reference resistor coupling (PEC) Reference resistor coupling (PEC) modified		BT07.52-P-0001-01A J17
-------------	---------------------------------------------------------------------------------	--	-------------------------------



124 589 24 63 00

Embossing set



124 589 01 37 00

Anti-tamper seal pliers