

B1

AR07.03-P-1450D

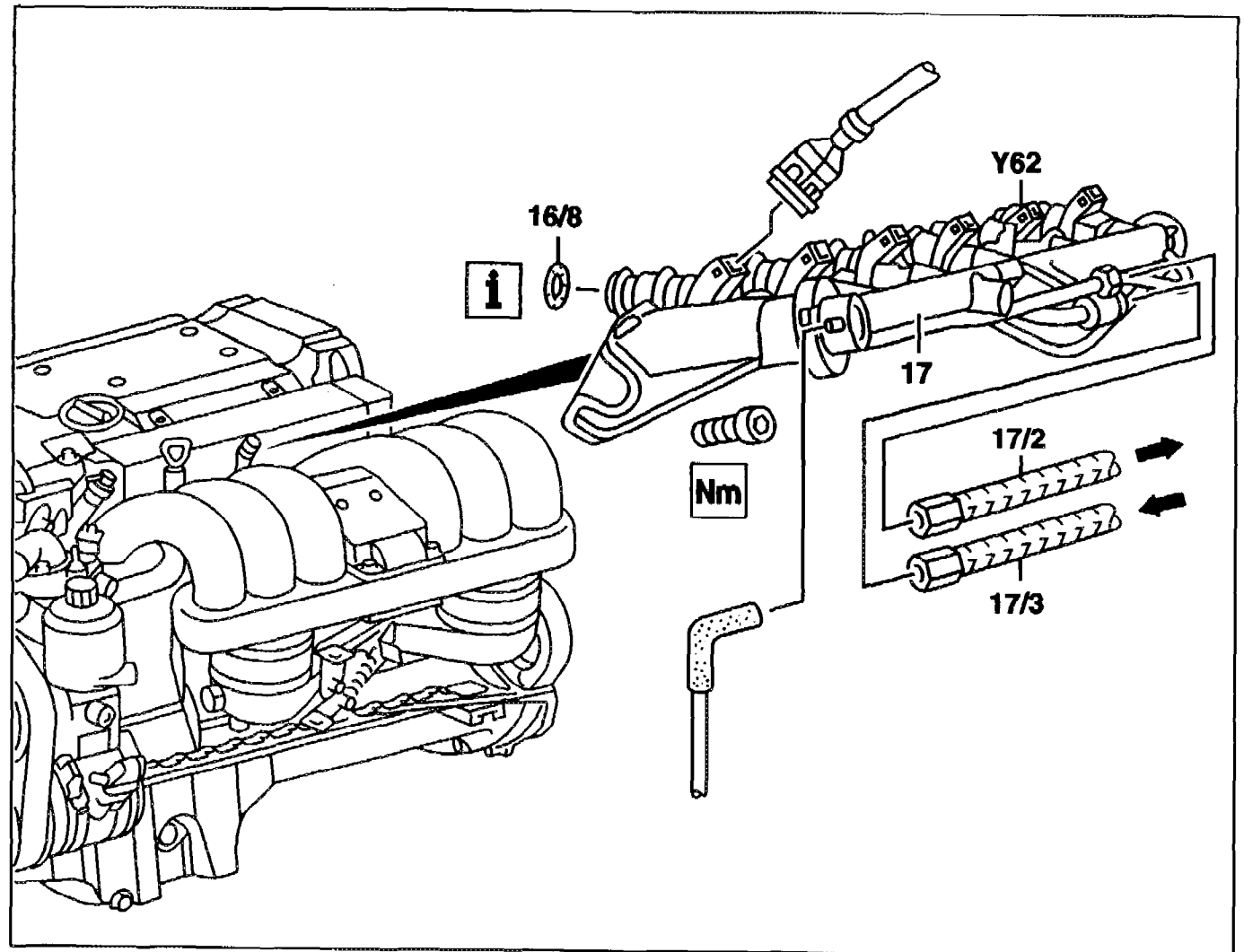
Removing and installing fuel rail with injection valves

3.8.94

ENGINE 104.94 /99, 111.920 /921 /94 /96 /970 /973 /974 /975 /977 (except 104.990)

Engine 104

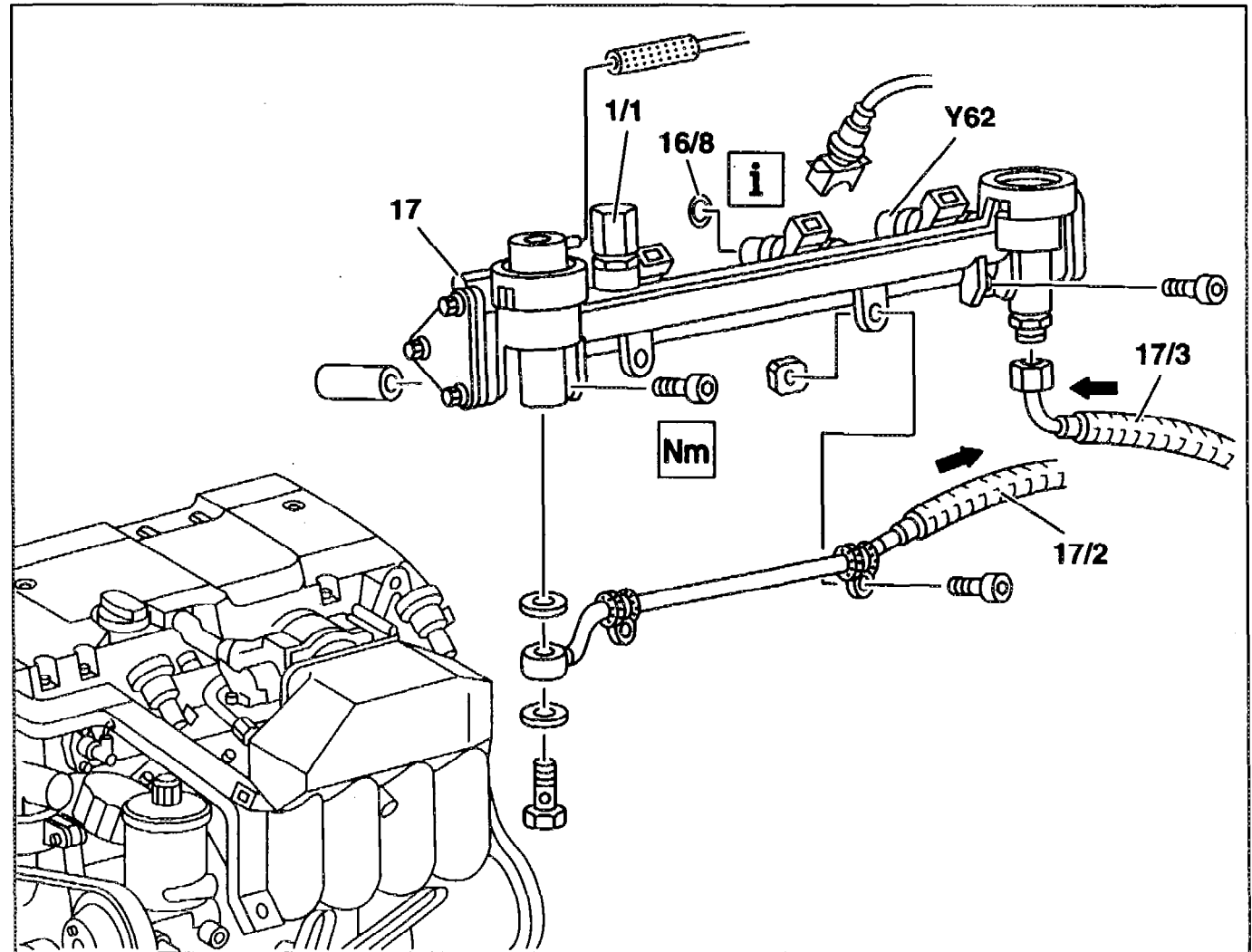
- 16/8 O-rings
- 17 Fuel rail
- 17/2 Fuel return pipe
- 17/3 Fuel feed pipe
- Y62 Fuel injection valves


















Shown on engine 111.940

- 1/1 Service valve
- 16/8 O-rings
- 17 Fuel rail
- 17/2 Fuel return pipe
- 17/3 Fuel feed pipe
- Y62 Fuel injection valves





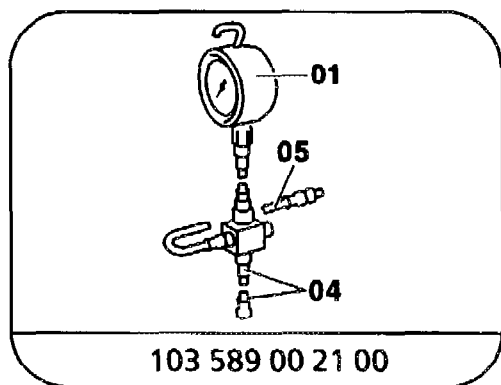
 	Removing, installing		
 Danger!	Risk of explosion as a result of ignition. Risk of poisoning as a result of inhaling and swallowing fuel. Risk of injury to skin and eyes as a result of contact with fuel.	No fire, naked flame or smoking. Pour fuels only into suitable and appropriately marked vessels. Wear protective clothing when handling fuel.	AS47.00-Z-0001-01A P16
1.1	Remove air cleaner cross pipe	 Except engine 111.943/947/973/975	AR09.10-P-8031G N2
2	Release fuel pressure through service valve (1/1) at the fuel rail (17)	See DM Engine, Volume 2 Index 1 and 4  	103 589 00 21 00 119 589 04 63 00
3.1	Remove oil filter	 Engine 104 with integrated oil and water cooler only 	103 589 02 09 00
4	Remove fuel rail (17)	 Installing: replace O-rings (16/8), oil to facilitate installation  Engine 104  Engine 111	BA09.20-P-1001-01B BA07.52-P-1001-01B
5	Unbolt fuel feed pipe (17/3)	 Collect fuel	
6.1	Unbolt fuel return pipe (17/2)	 Except engine 111.977 Collect fuel	
7	Install in reverse sequence		

**Nm** Intake manifold

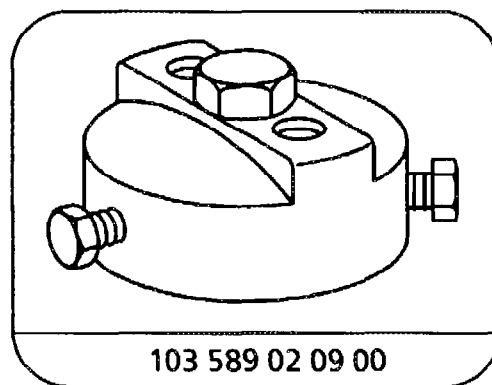
Number	Designation	Engine 104
BA09.20-P-1001-01B	Bolts and nuts of intake manifold on cylinder head	Nm 25

Nm Fuel rail

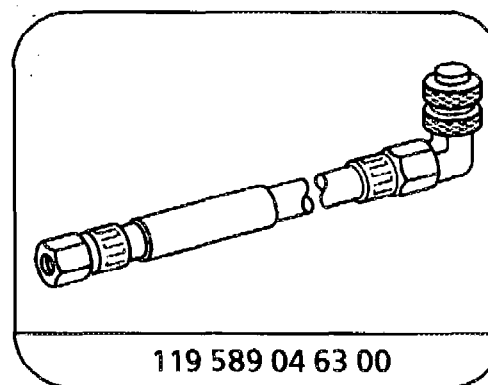
Number	Designation	Engine 111
BA07.52-P-1001-01B	Bolts of fuel rail to cylinder head	Nm 25



Tester



Wrench socket



Pressure hose