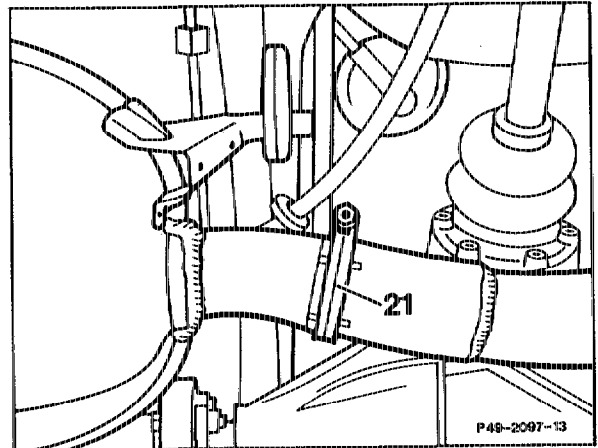
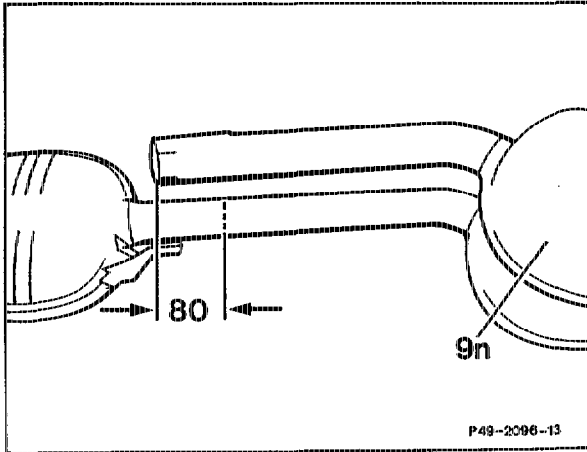


## 49-0048 Replacing center, final silencers

Preceding work:  
Removing and installing centre, final silencers (49-0045)

Operation No. of operation texts and work units or standard texts  
and flat rates:  
49-0048

### Model 124



New final silencer (9n) .....	position push-fit joint precisely above the removed exhaust system and mark pipe length of new final silencer at the removed exhaust system.
80 mm from the marking .....	(tolerance minus 10 mm) in direction of final silencer, cut through the pipe (broken line) to provide an insertion depth of 70 – 80 mm.
For installing .....	use exhaust clamp (21).

#### Note

When replacing the centre silencer, proceed by analogy to the final silencer.