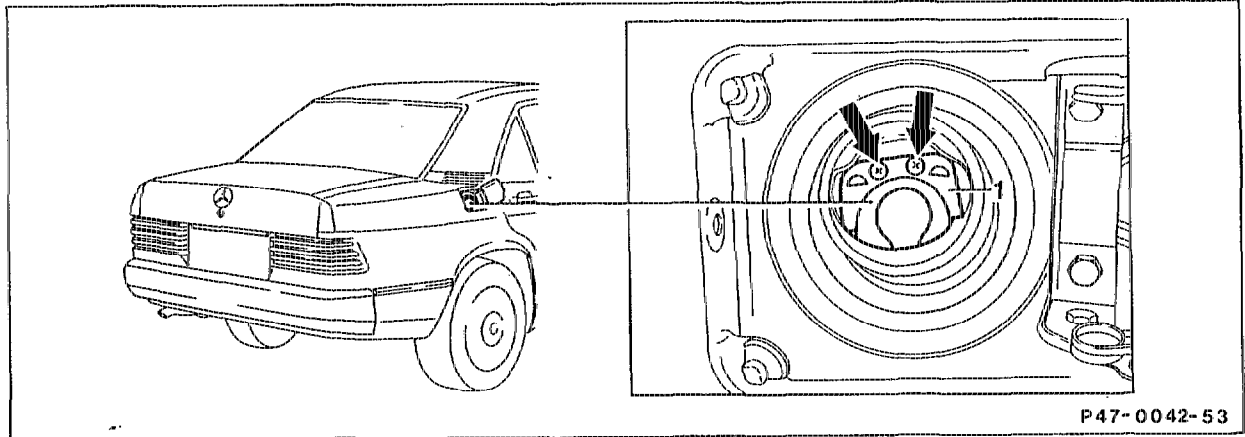


47-7571 Removing and installing guide funnel

Operation No. of operation texts and work units or standard texts
and flat rates:
47-7571



Guide funnel (1) remove, install by withdrawing the two rivets
(arrows) as far as the stop with puller
123 589 05 33 00, knock in with drift.

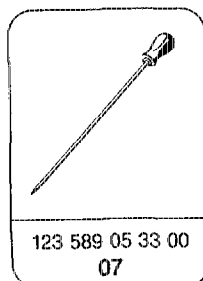


The rivets must not drop into the fuel tank as they neutralize the function of the surge bowl (reserve quantity cannot be used).

Note

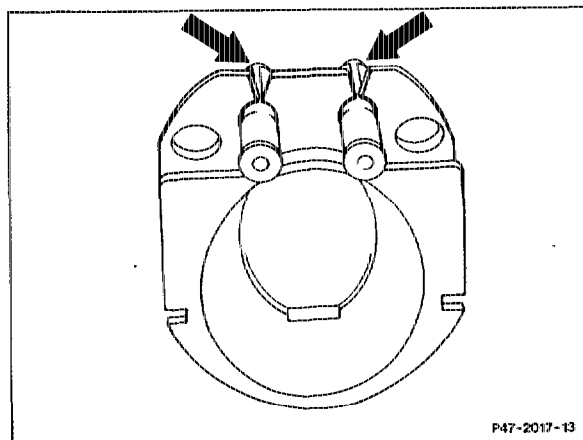
A guide funnel (1) is installed because of the smaller pistol neck for unleaded fuel. If the fuel tank is replaced, a guide funnel must be installed.

Special tool



Note

Vehicles with KAT except (J): Since June 1989 the guide funnel has additional notches (arrows) to facilitate installation.



P47-2017-13

Production breakpoint: June 1989

Model	Engine	Vehicle ident end no.	
		A/B	F
124.031	104.980	020969	--
124.051	104.980	021039	--
124.091	104.980	--	114201

