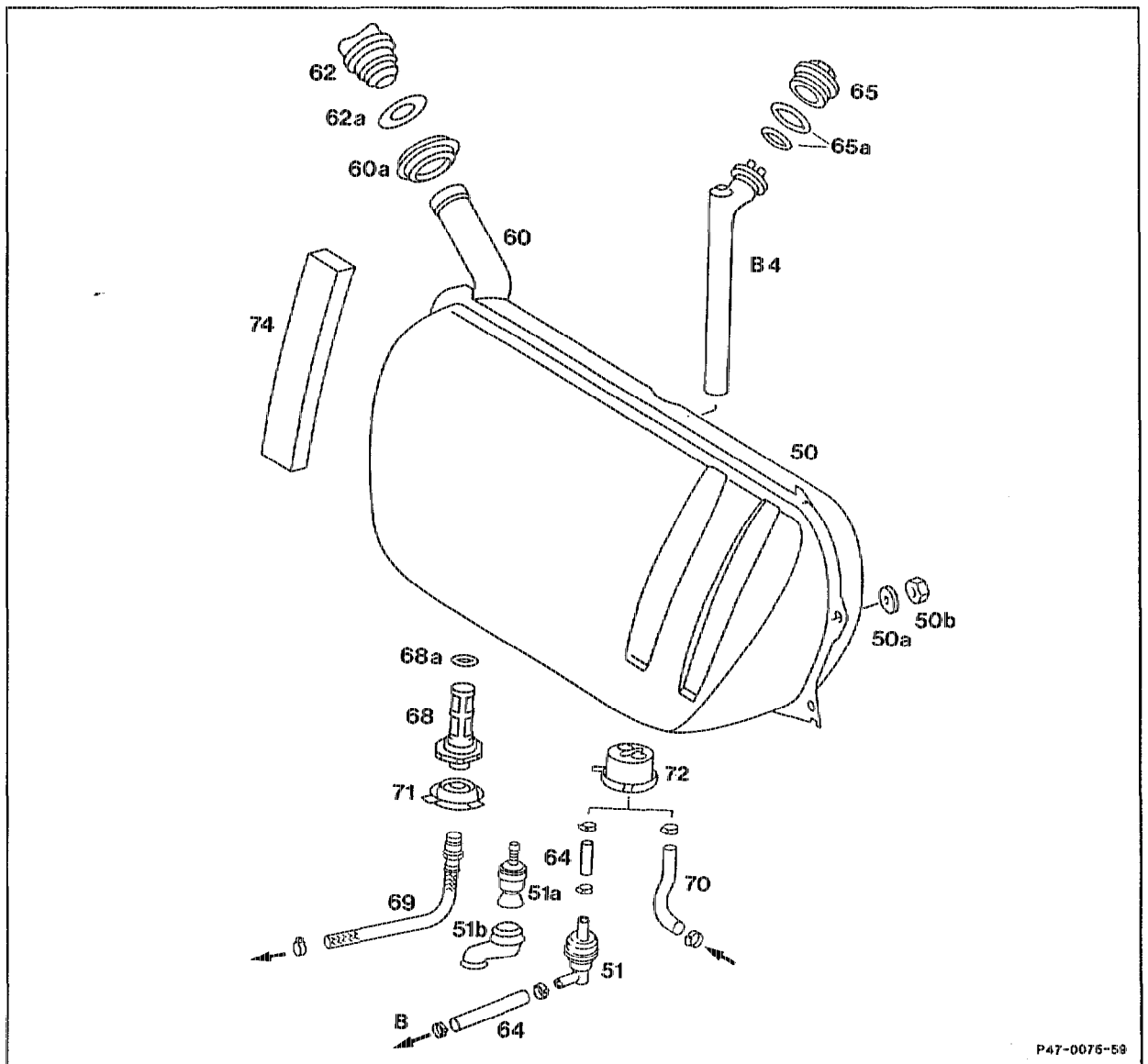


# 47-4100 Removing and installing fuel tank

Operation No. of operation texts and work units or standard texts  
and flat rates:  
47-4100

## A. Model 124 Sedan



P47-0075-59



Pay attention to safety instructions.

Ground cable at battery ..... disconnect, connect.

Pressure in fuel tank ..... release by opening fuel cap (62), fitting on.

Seal (62a) .....	check, replace if necessary.
Fuel gauge sending unit (B4) .....	remove, install (47-7000).
Fuel tank (50) .....	drain. Carefully pump out fuel so that no fuel remains in the tank. Capacity approx. 70 liters.
Cup seal (60a) .....	remove, install.
Fuel tank lining as well as left and right trunk sideline .....	remove, install.
Fuel supply hose (69), fuel return hose (70), breather line (64), breather valve (51) .....	detach, attach. Collect remaining fuel. Plug connections. Check suitability for re-use. Ensure cup seals are correctly installed. Tightening torque 28 Nm as reference value.
Nuts (50b, 4 off) .....	screw down, screw up, use washers (50a). Tightening torque 21 Nm as reference value.
Fuel tank (50) .....	remove, insert. Glue soundproofing strips (74) with MB universal glue 000 989 92 71.
Fuel strainer (68) .....	remove, install, clean and check for re-use. Replace seal (68a). Tightening torque 39 Nm as reference value.
Leak test of all connection points .....	check with engine running.

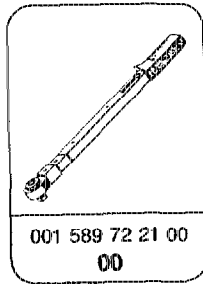
**Note**

To avoid hoses being kinked, the fuel supply hose (69) from the fuel tank to the fuel pump has been modified to a moulded hose (except Station Wagon).

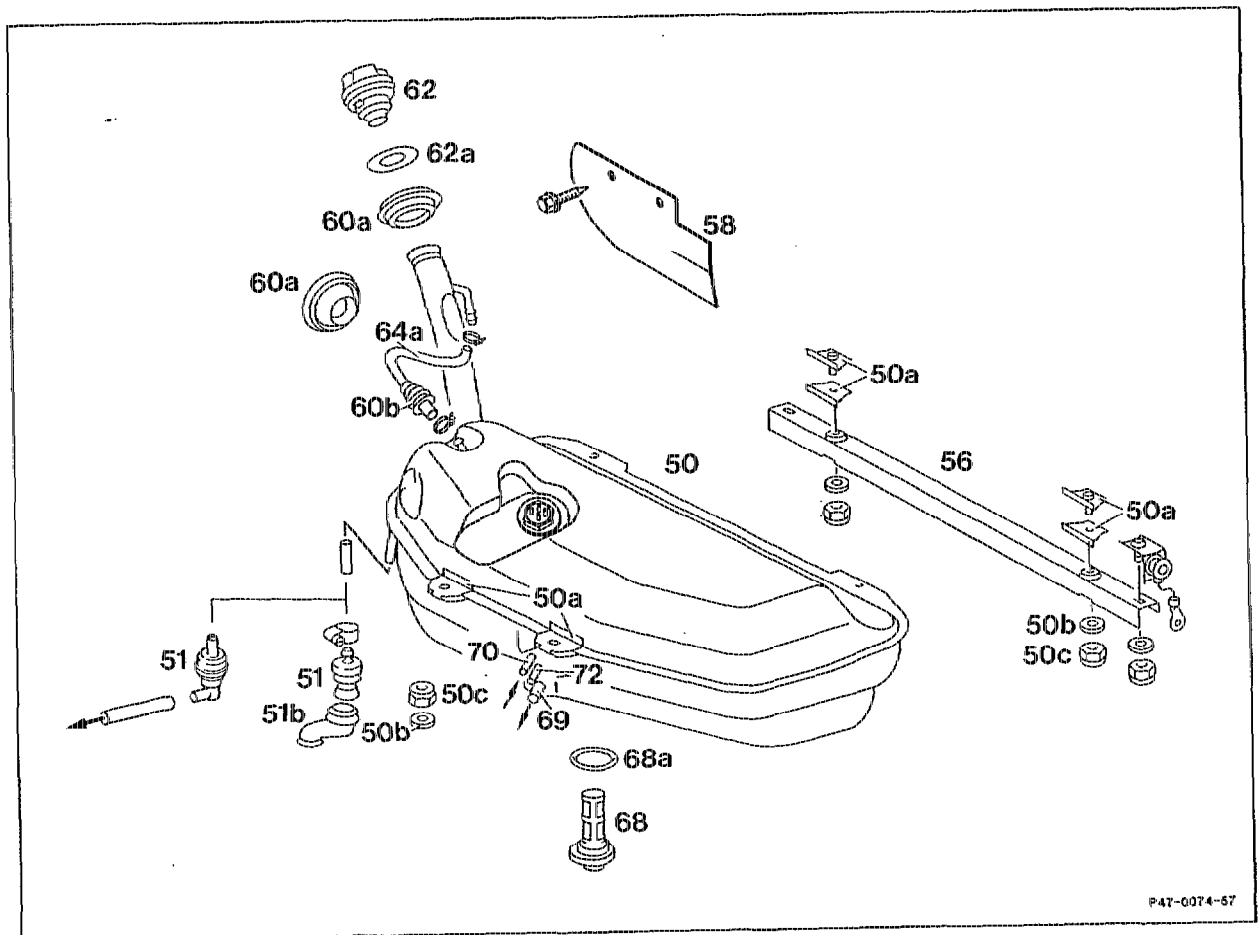
**Production breakpoint: October 1989**

Model	Vehicle Ident End No.
124	B 097367

Special tool



B. Model 124 T-model



Pay attention to safety instructions.

Ground cable at battery .....

Pressure in fuel tank .....

Seal (62a) .....

disconnect, connect.

release by opening fuel cap (62) and closing.

check, replace if necessary.

Fuel gauge sending unit (B4) .....	remove, install (47-7000).
Fuel tank (50) .....	empty. Pump out fuel carefully so that no fuel remains in the tank. Capacity approx. 72 litres.
Cup seals (60a) .....	remove, install.
Breather line (64a) .....	remove, install.

**Note**

Pre-install breather line at fuel tank. Lay line with constant slope and free of kinks. Ensure cup seal (60b) is correctly located.

Fuel supply line (69), fuel return line (70), leak line (72) .....	detach, attach. Collect remaining fuel. Seal connections. Check suitability for re-use.
Breather valve (51) .....	detach, attach.
Exhaust system .....	detach at rear suspension points, attach. Detach with V-belt.
Splash guard (58), filler neck .....	detach, attach.
Level line bracket (lefthand side) .....	detach, attach.
U rail (56), fixture (50a, 50b, 50c) .....	remove, install. Tightening torque 30 Nm as reference value. Replace self-locking nut (50c).



Support fuel tank when performing this step.  
remove, insert.

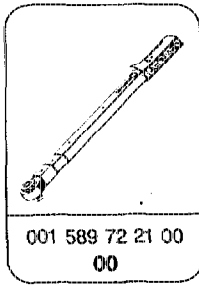
Fuel tank (50) .....



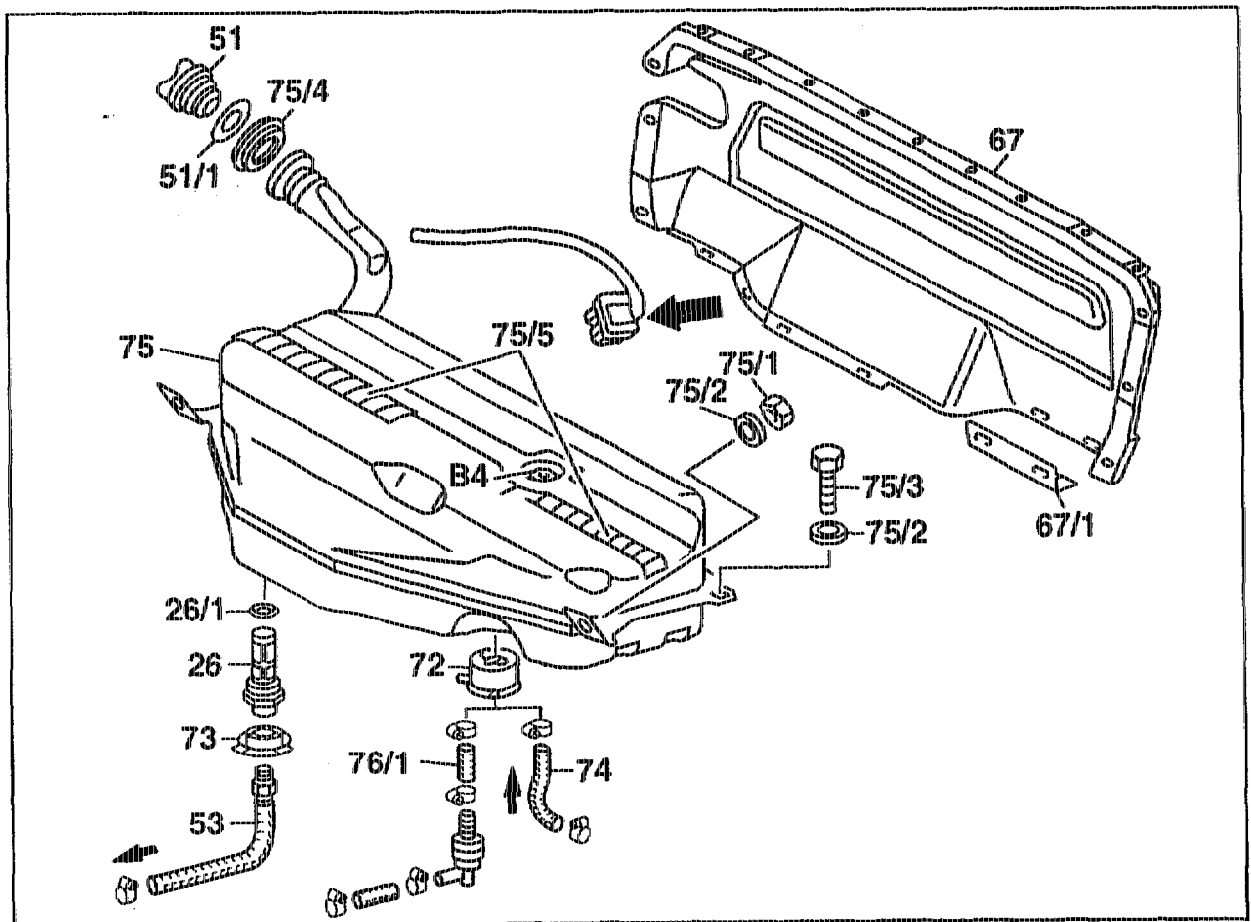
When removing fuel tank, ensure that the connection for the breather line (64a, at filler neck) does not catch on a line. Push exhaust pipe and level line to the left.  
Glue soundproofing strips between rear floor and fuel tank with MB universal glue 000 989 92 71, if necessary.

Fuel strainer (68) .....	remove, install, clean and check for re-use. Replace seal (68a). Tightening torque 39 Nm as reference value.
Leak test of all connection points .....	check with engine running.

**Special tool**



**C. Model 124 Convertible**



P47-5168-57



Pay attention to safety precautions!

Soft top compartment cover ..... open, close. To do this, open soft top sufficiently until the compartment cover can be opened.

Ground cable at battery	disconnect, connect.
Cap (51)	take off, fit on.
Seal (51/1)	examine, replace if necessary.
Fuel tank (75)	drain, carefully pump out fuel so that no fuel remains in the tank.

**Note**

Capacity about 70 liters.

Trim in soft top compartment	remove, install.
Coupling (arrow) for fuel gauge sensor (B4)	unplug, plug in.

**Vehicles with hydraulic soft top**

Holder for hydraulic pipes	unbolt, bolt on.
----------------------------	------------------

**All models**

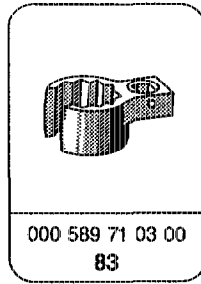
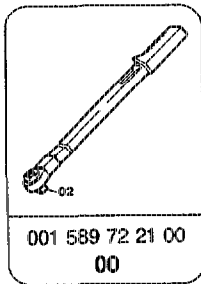
Cover in soft top compartment	unbolt, bolt on.
Trim panels in trunk	remove, install (68-480).
Spare wheel	remove, insert.
Partition (67) together with angle bracket (67/1)	remove, install.
Cup seal (75/4)	remove, insert.
Fuel suction hose (53), fuel return hose (74), vent pipe (76/1)	take off, fit on. Collect remaining fuel, seal connections, check suitability for re-use. Ensure cup seals (72, 73) are correctly located. Tightening torque 30 Nm as a reference value. Special tool 000 589 71 03 00.
Nuts (75/1, 2 of) and bolts (75/3, 2 of)	remove, fit on. Use washers (75/2). Tightening torque 20 Nm.

Fuel tank (75) .....	remove, insert; remove right taillamp unit if necessary, install (82-4905, see III. note). Examine soundproofing strips (75/5), replace if necessary. To do this, stick on soundproofing strips with MB universal adhesive 000 989 92 71.
Fuel strainer (26) .....	remove, clean, check suitability for re-use, install. Tightening torque 40 Nm.
O-ring (27/1) .....	replace.
Leaktightness of all connection points .....	check with engine running.

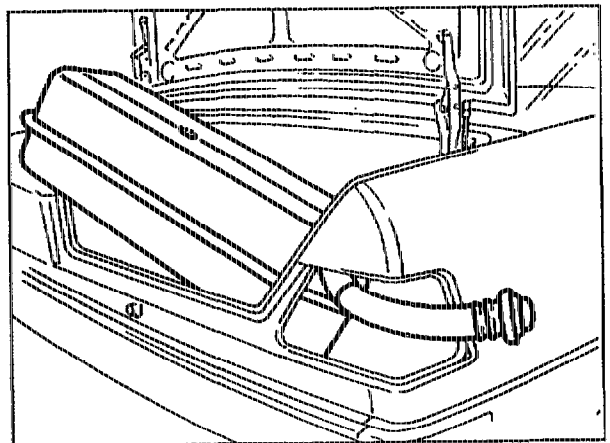
**Installation instruction**

When installing, raise fuel tank at front left.

**Special tools**

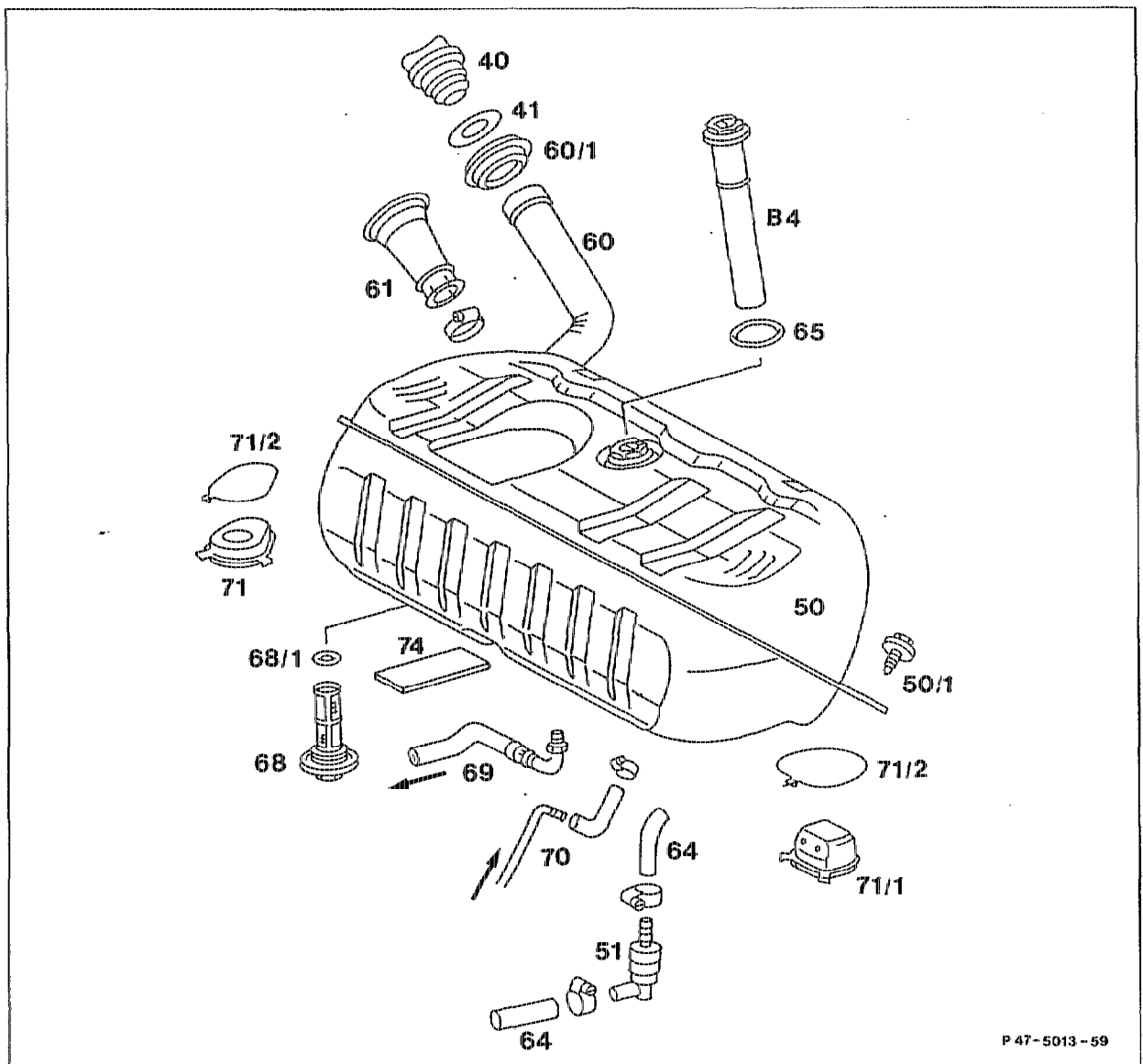


**Illustration note**



P47-5069-13

## D. Model 129



P 47-5013-59



Pay attention to safety regulations.

Ground cable at battery .....	disconnect, connect.
Pressure in fuel tank .....	release by opening fuel cap (40), closing.
Seal (41) .....	check, replace if necessary.
Fuel gauge sending unit (B4) .....	remove, install (47-7000).
Partition wall .....	remove, install.
Clip nuts for attaching partition wall at top .....	pull off, fit on.
Cover (61) .....	slacken, push back, push forward, tighten.
Infrared remote control (N54) unit .....	remove, install (if fitted).



Fuel tank (50) .....	empty. Carefully pump out fuel so that no fuel remains in the tank. Capacity approx. 80 litres.
Cup seal (60/1) .....	remove, install.
Fuel supply line (69) .....	slacken at fuel strainer (68) with ring wrench socket 000 589 71 03 00, tighten and check for re-use. Tightening torque 28 Nm as reference value.
Cup seals (80, 81), springs (82) .....	remove, install.
Breather valve (51), return hose (70) .....	remove, fit on by detaching exhaust system at the rubber rings (detach with V-belt), attaching, and removing left drive shaft at inner connecting flange 35-620. Collect remaining fuel. Seal connections. Check suitability for re-use.
Bolts (50/1) .....	unscrew, screw in. Use washers. Tightening torque 21 Nm as reference value.
Fuel tank (50) .....	remove, insert. If necessary, lever fuel tank out of the opening with plastic wedges or similar. Pull fuel tank fully to the rear left in the car and remove at filler neck. If space is restricted, remove fuel strainer for installing fuel tank and re-install from below afterwards. If necessary, glue soundproofing strips (74) with MB universal glue 000 989 92 71.
Fuel strainer (68) .....	remove, install, clean and check for re-use. Tightening torque 39 Nm as reference value.
Seal (68/1) .....	replace.
Leak test of all connection points .....	check with engine running.



## Special tools

