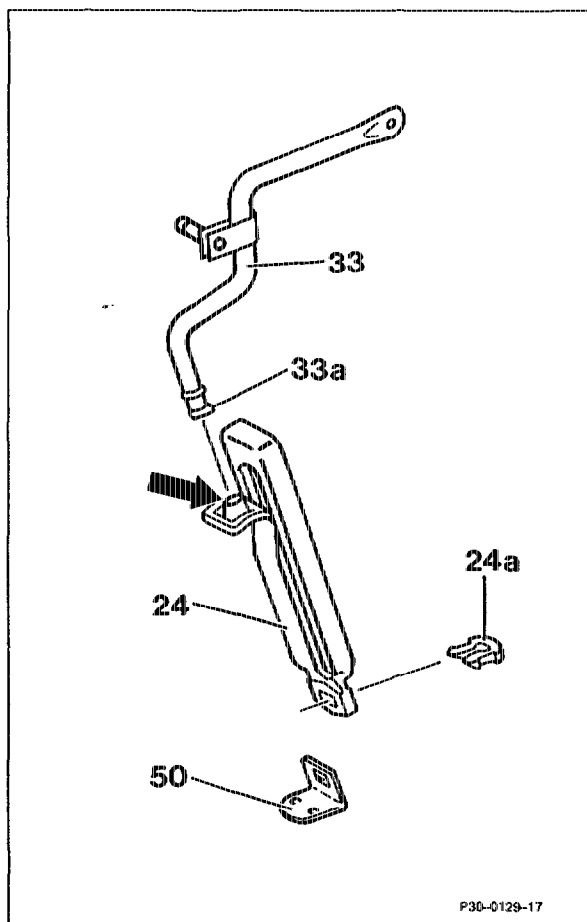


## 30-1321 Removing and installing accelerator pedal

Operation No. of operation texts and work units or standard texts  
and flat rates:  
30-1321

### A. Model 124

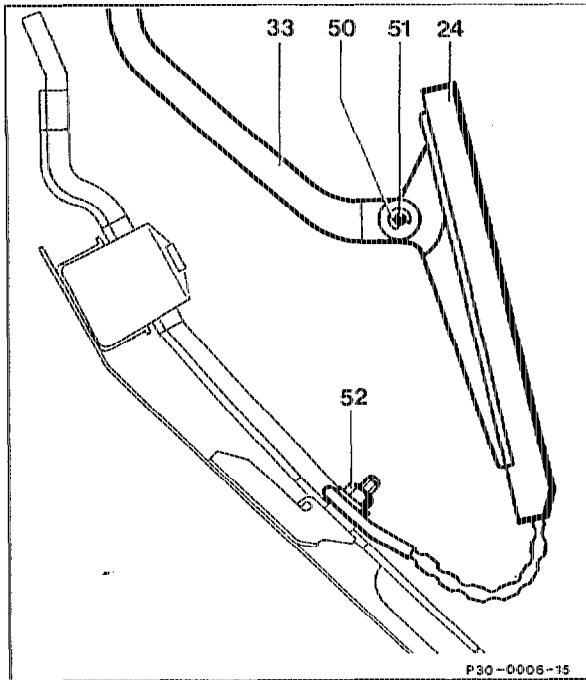


Cover below instrument panel .....	remove, install.
Expanding clip (24a) .....	remove, insert.
Accelerator pedal (24) .....	pull off control lever (33), fit on.

#### Note

Grease pivot points and ball sockets of throttle control with anti-corrosion grease  
000 989 87 51 10.

**B. Model 129**



Cover below instrument panel .....	remove, install.
Retaining ring (50) .....	pull off, fit on.
Pin (51) .....	press out, insert.
Nuts (52) .....	unscrew, screw on. Tightening torque 0.5 Nm as reference value.
Accelerator pedal (24) .....	take off, fit on.

**Note**

Grease pivot points and ball sockets of throttle control with anti-corrosion grease 000 989 87 51 10.