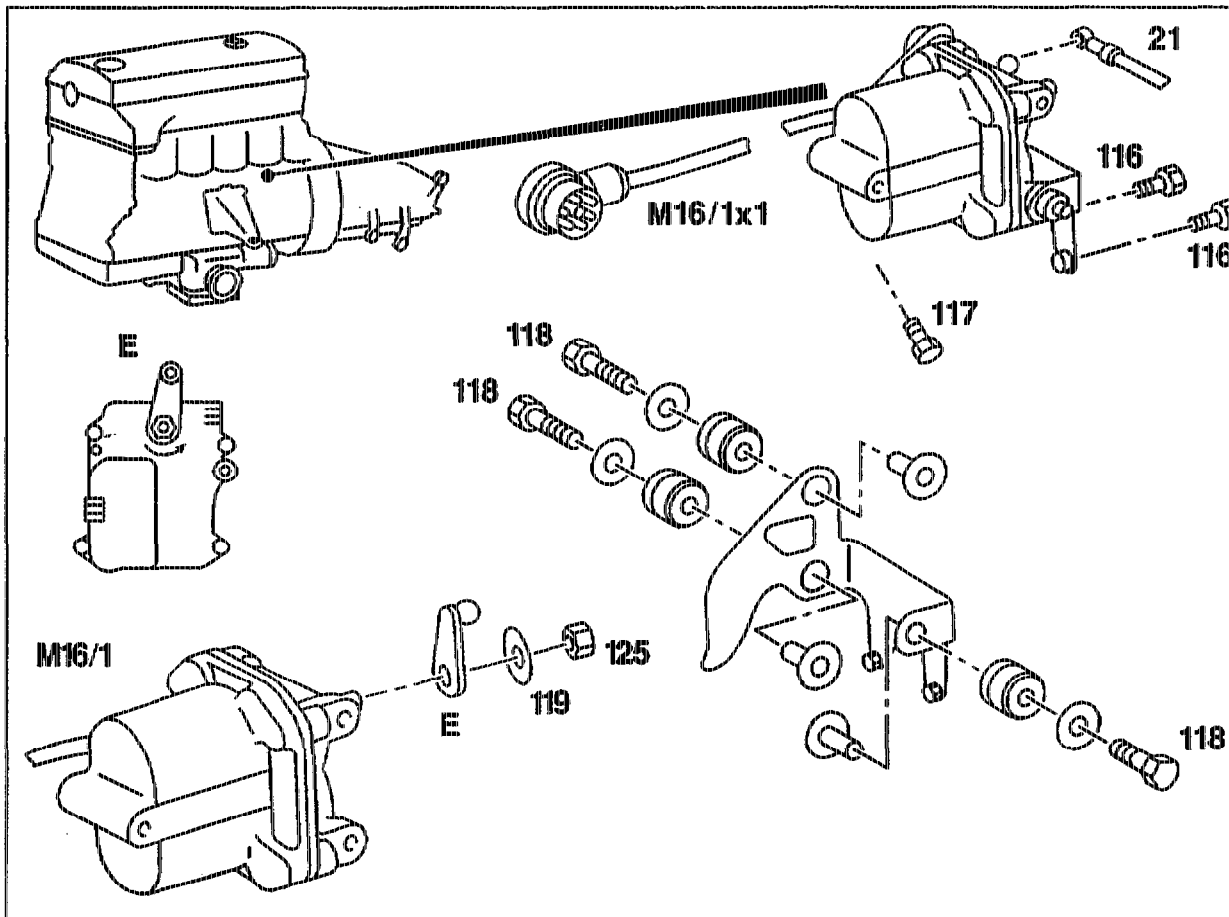


## 30-1262 Removing and installing actuator of electronic accelerator pedal/ Tempomat cruise control

Preceding work:  
 Removing and installing air cleaner (09-0015)  
 Removing and installing engine compartment panel  
 (61-0105)

Operation No. of operation texts and work units or standard texts  
 and flat rates:  
 30-1262



P30-5324-57

Plug connection of electronic accelerator pedal  
 actuator (M16/1x1) on model 124 at bracket of  
 diagnostic socket, on model 129 at inside right  
 wheelhouse

unplug from coupling, plug in.

Cable of electronic accelerator  
 pedal actuator (M16/1)

expose.

Pushrod (21) at electronic accelerator  
 pedal actuator (M16/1)

detach, adjust, attach (30-1010).

Fastening bolts (116, 117)

remove, insert.

Electronic accelerator pedal actuator (M16/1) together with bracket	remove downward. On model 124 with AC compressor, slacken the bottom fastening bolts for the engine mount and raise engine.
Fastening bolts (118)	remove, insert. Tightening torque 12 Nm.
Locking washer (119)	release.
Fastening nut (125)	remove, insert. Tightening torque 10 Nm.
Lever (E)	take off, fit on.

**Installation instruction**

Turn driveshaft of electronic accelerator pedal actuator (M16/1) in the opposite direction of the arrow against the stop, install lever (E) and secure nut (125) with locking washer (119).  
adjust (30-1010).

Throttle control linkage	read, erase (see Diagnosis Manual Engine, Volume 2).
Fault memory of electronic accelerator pedal	