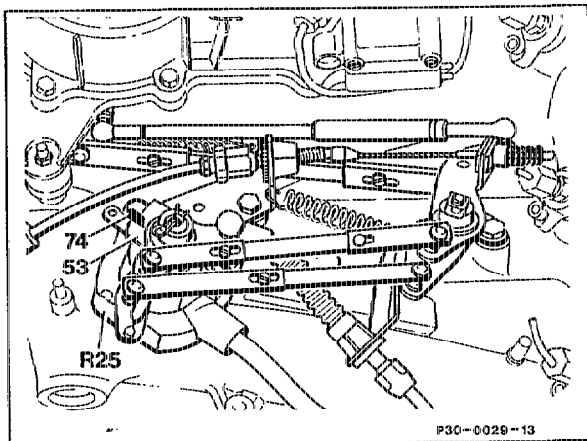


30-1156 Removing and installing potentiometer of electronic accelerator pedal

Operation No. of operation texts and work units or standard texts and flat rates:
30-1156



Plug connection of potentiometer	separate, expose, fit together.
Throttle control rods	detach, attach.
Return springs	detach, attach.
Fastening bolts for potentiometer (R25)	remove, insert.
Throttle control	check, adjust if necessary (see 30-1010).