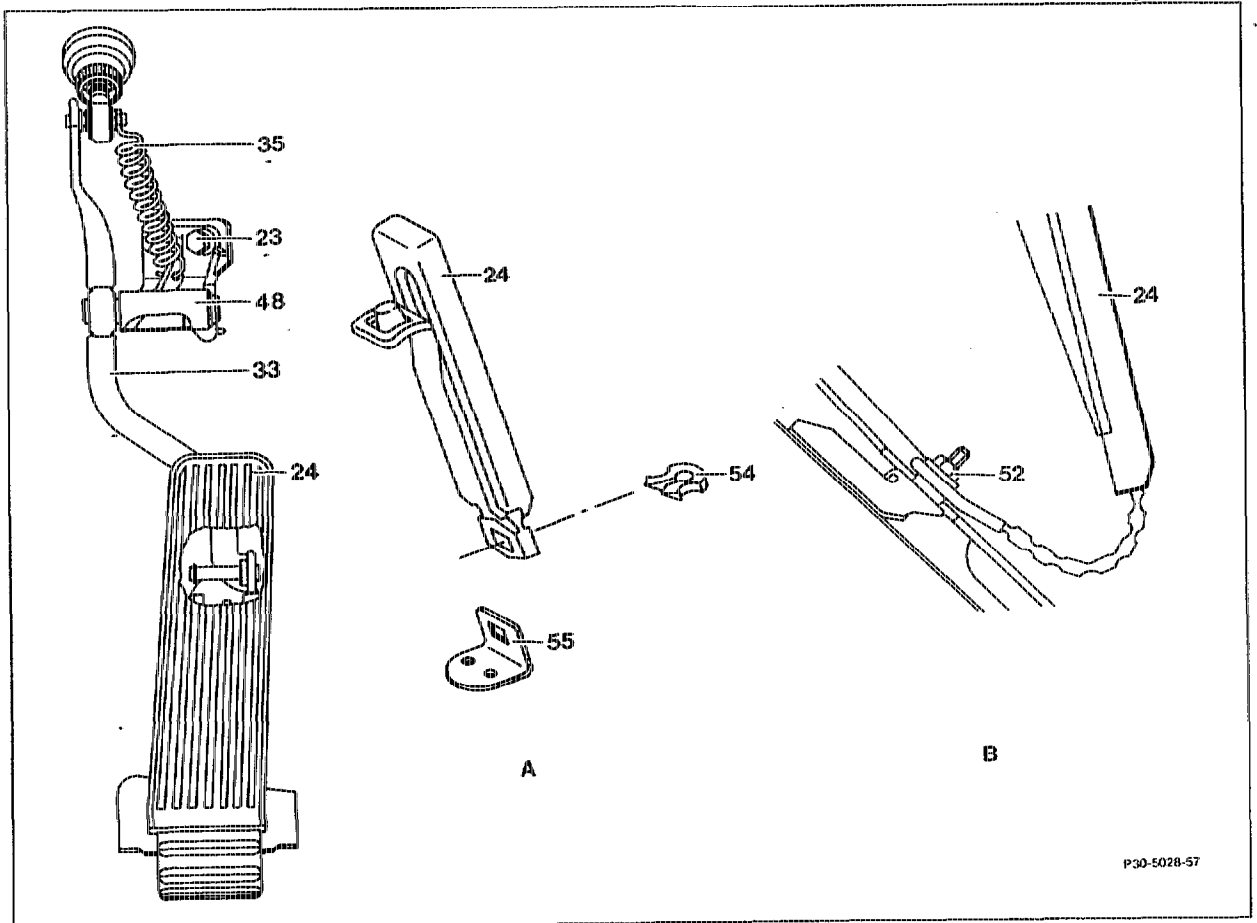


30-0012 Removing and installing fire wall pivot point with accelerator lever

Operation No. of operation texts and work units or standard texts and flat rates:
30-0012



- A. Model 124
- B. Model 129

Cover below instrument panel	remove, install.
Return spring (35)	detach, attach.
Bowden cable	detach, attach.
Bolts (23)	unscrew, screw in.
Expanding clip (54)	remove, install (model 124).
Nuts (52)	unscrew, screw on. Tightening torque 0.5 Nm as reference value (model 129).

Accelerator pedal (24) with operating lever (33)
and fire wall pivot point (48) remove, insert.

Note

Coat pivot points and ball sockets of throttle
control with anti-corrosion grease
000 989 87 51 10.

Throttle control check, adjust if necessary (see 30-1010).