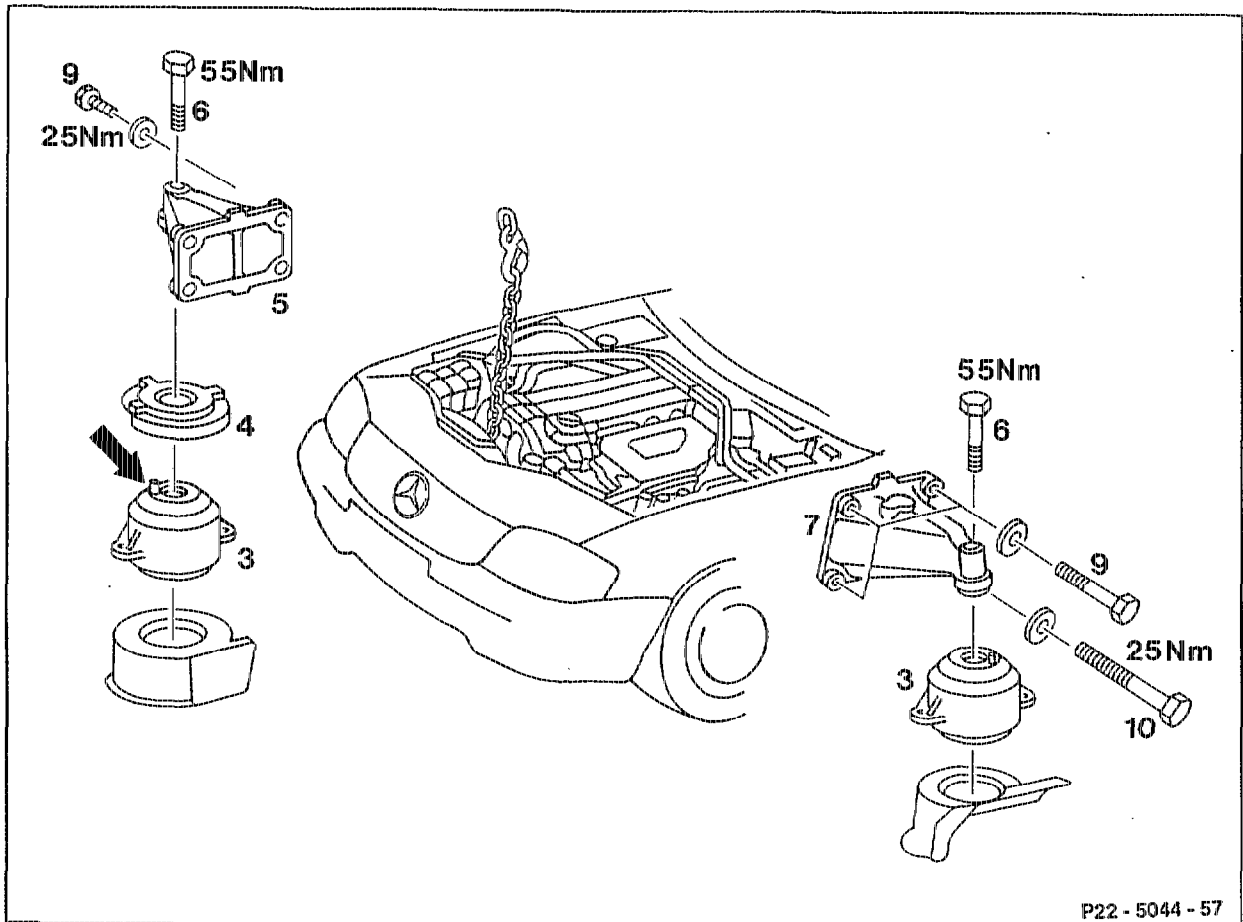


22-2500 Removing and installing engine carrier

Preceding work:
Bottom engine compartment panel removed
(Maintenance Manual 6190).

Operation no. of operation texts and work units or standard texts
and flat rates:
22-4320

A. Models 124, 129, 140



P22 - 5044 - 57

Model 129

Fan shroud ring	remove, place over fan, install (20-3400).
Air intake scoop	remove, install (09-0060).
Engine mount bolts (6) at top	unscrew, screw on (55 Nm).

Installation note re model 140

Also bolt holder of high pressure expansion hose to engine carrier (7).

Engine	raise at front lifting lug.
Models 129, 140:	take off shield (4) from engine carrier (5) on right, fit on.
Bolts (9 and 10)	unscrew, screw on (25 Nm).
Engine carriers (5 and 7)	remove, install.
Model 124:	unbolt shield (4) at engine carrier (5) on right, bolt on.

Notes

Models 129, 140 with secondary air injection: also bolt mounting bracket of secondary air injection pipe onto engine carrier (5) on right.

Models 124, 129 with electronic accelerator: also bolt mounting bracket of actuator to engine carrier (7) on left.

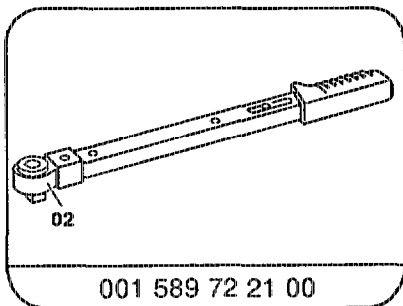
Model 140: also bolt mounting bracket of generator wiring harness to engine carrier (5) on right.

The anti-twist lock (arrow) in the engine mount (3) must engage in the opening in the shield (4) and in the retaining slot in the engine carrier.

Tightening torques in Nm

Bolt of engine carrier to crankcase	25
Bolt of engine carrier to engine mount	55

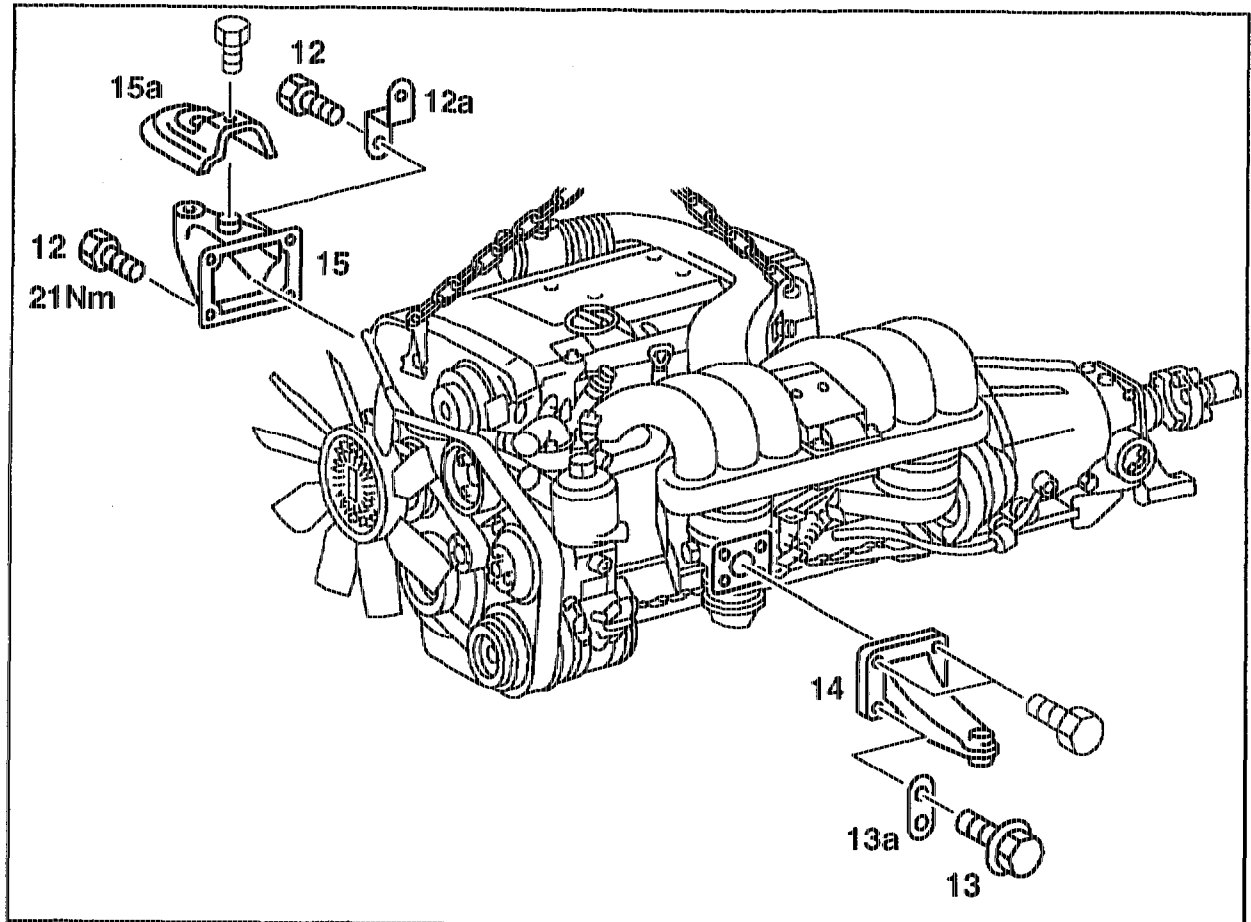
Special tool



B. Models 202, 210

Preceding work:
Engine mounts removed (22-2110).

Operation no. of operation texts and work units or standard texts
and flat rates:
22-4320



P22-5061-57

Engine	raised at front lifting lug.
Right engine carrier:	unbolt shield (15a) at engine carrier (15), bolt on.
Bolts (12) and (13)	unscrew, screw on (21 Nm).
Engine carriers (14) and (15)	remove, install.

Note

Model 202: Also bolt bracket (12a) to engine carrier (15) on right and bracket (13a) to engine carrier (14) on left.