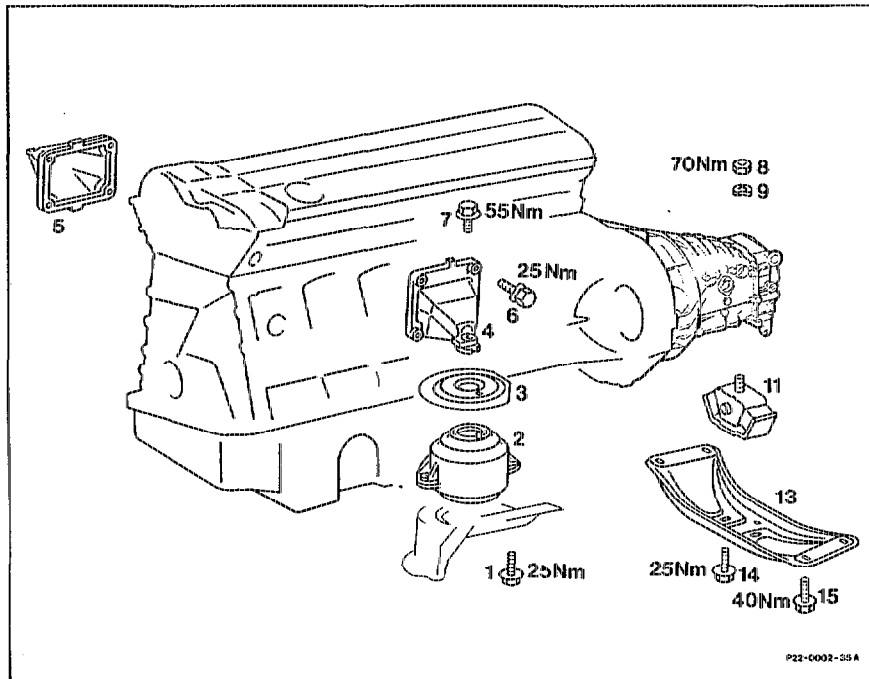


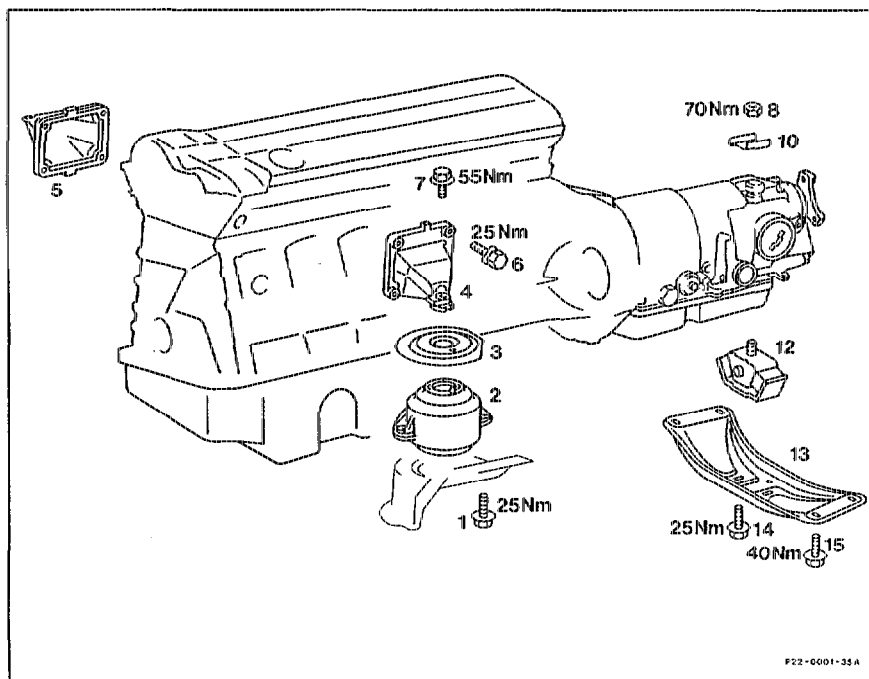
22-2120 Removing and installing rear engine mount

Operation no. of operation texts and work units or standard texts
and flat rates:
22-1160, 1168

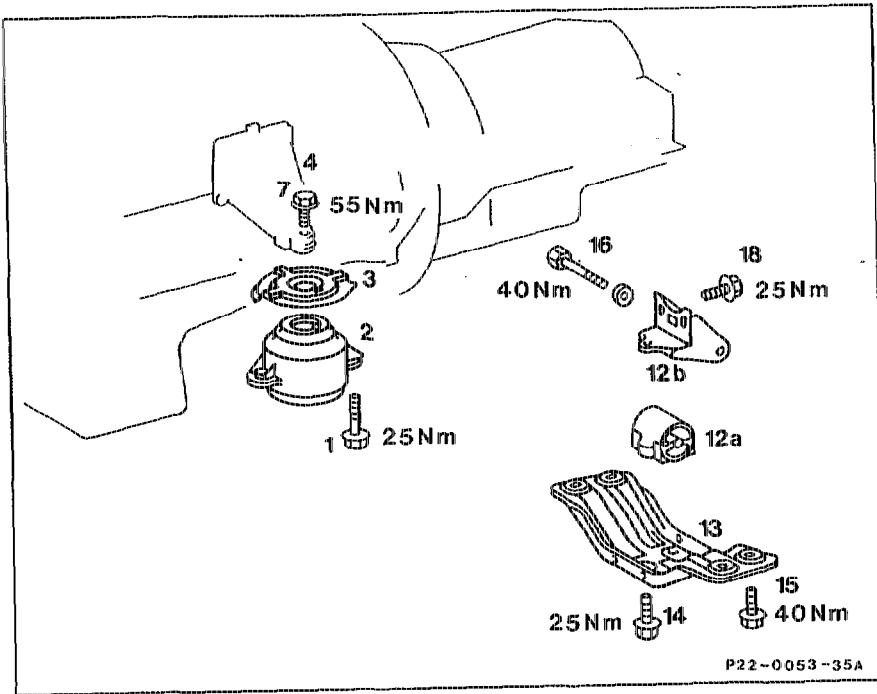
A. Models 124, 129, 140



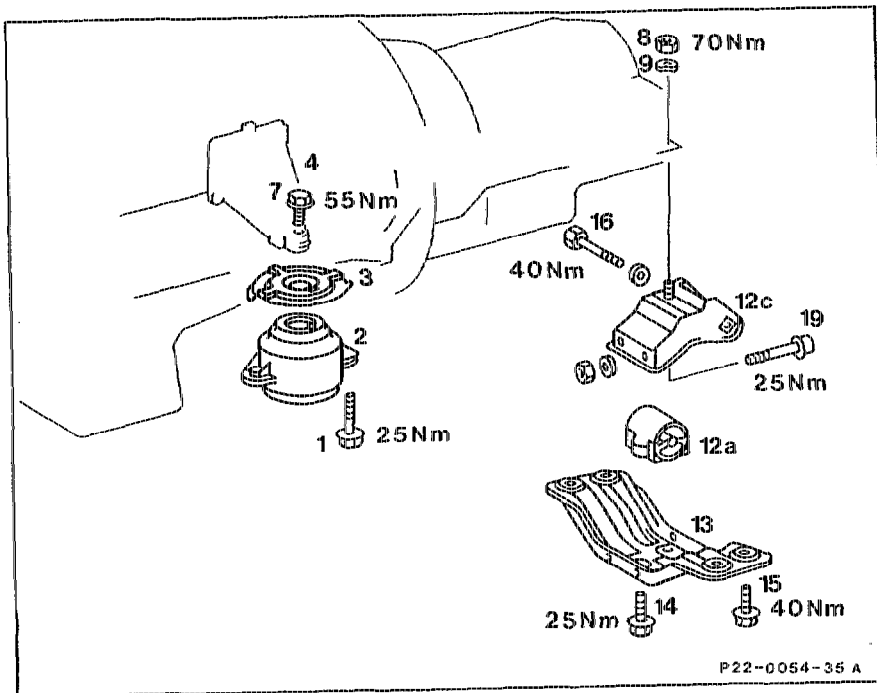
Models 124, 129 manual transmission



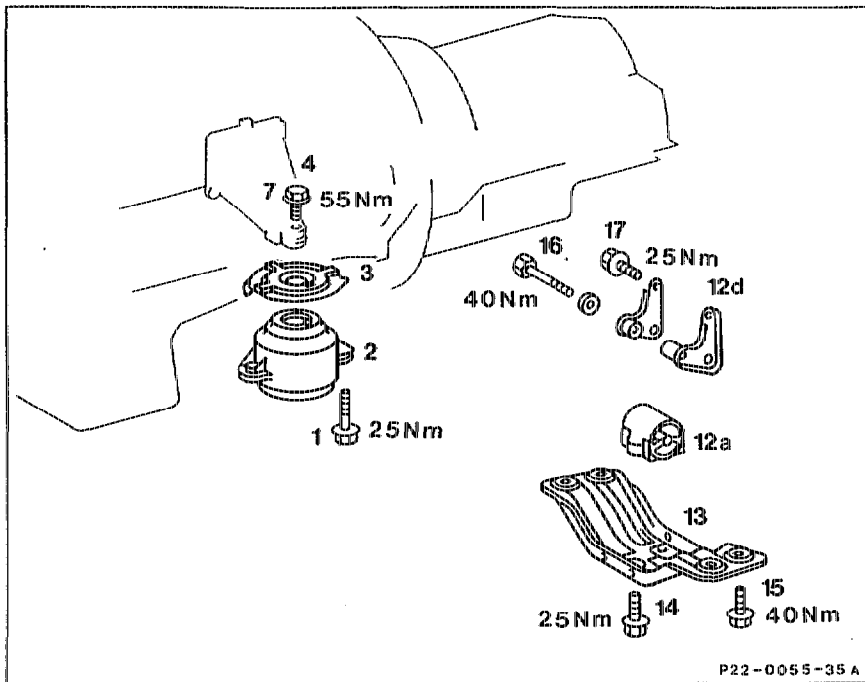
Models 124, 129 automatic transmission



Model 140 automatic 4-speed transmission



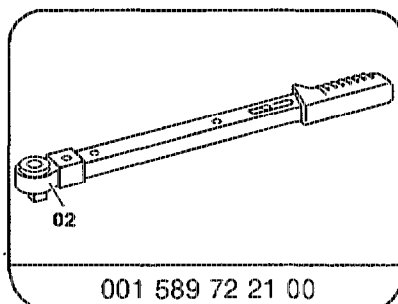
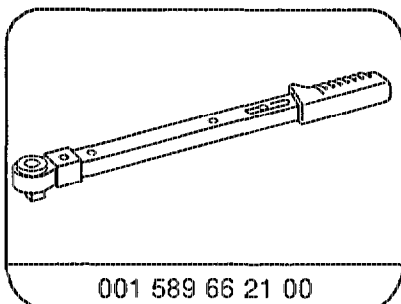
Model 140 manual 5-speed transmission



Model 140 automatic 5-speed transmission

Transmission	support.
Cable straps of wiring of kickdown switch and oxygen sensor at engine carrier (13)	slacken, tie.
Engine carrier (13)	remove, install (M8 25 Nm, M10 40 Nm).
Models 124, 129:	remove engine mounts (11 or 12), install (70 Nm). Pay attention to washer (9) or backing plate (10).
	Note
	The engine mounts differ depending on whether a manual or automatic transmission is fitted.
Model 140:	slacken securing bolt (16) of engine mount, tighten (40 Nm), pay attention to note.

Special tools



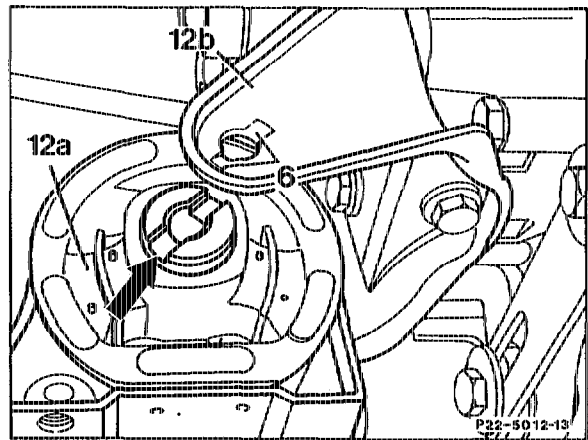
Note re model 140

The installation position of the engine mount (12a) is fixed by a slot (arrow) on the mount and a recess (6) on the bracket (12b).



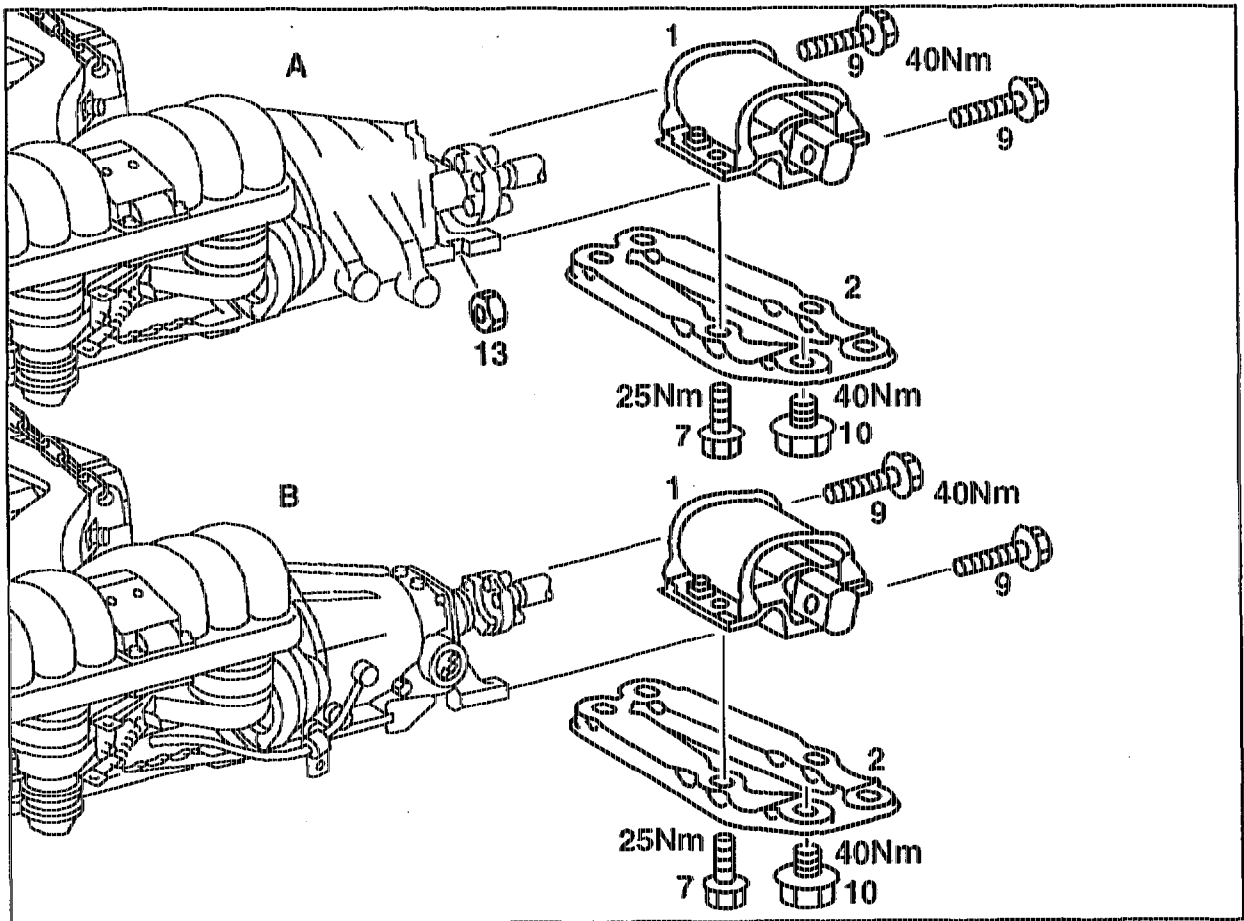
Rear engine mounts of engine 104 in model 140 differ in their load bearing capacity from the engine mounts of engines 119 and 120 and must not be interchanged.

Automatic 4-speed transmission



B. Models 202, 210

Operation no. of operation texts and work units or standard texts
and flat rates:
01-1260



P22-5060-57

A Manual transmission
B Automatic transmission

Transmission	support.
Bolts (7) and (10)	unscrew, screw on (M8 25 Nm, M10 40 Nm).
Engine carrier (2)	remove, install.
Manual transmission:	unscrew bolts (9) together with nuts (13), screw on (40 Nm).
Automatic transmission:	unscrew bolts (9), screw on (40 Nm).
Engine mounts (1)	remove, install.