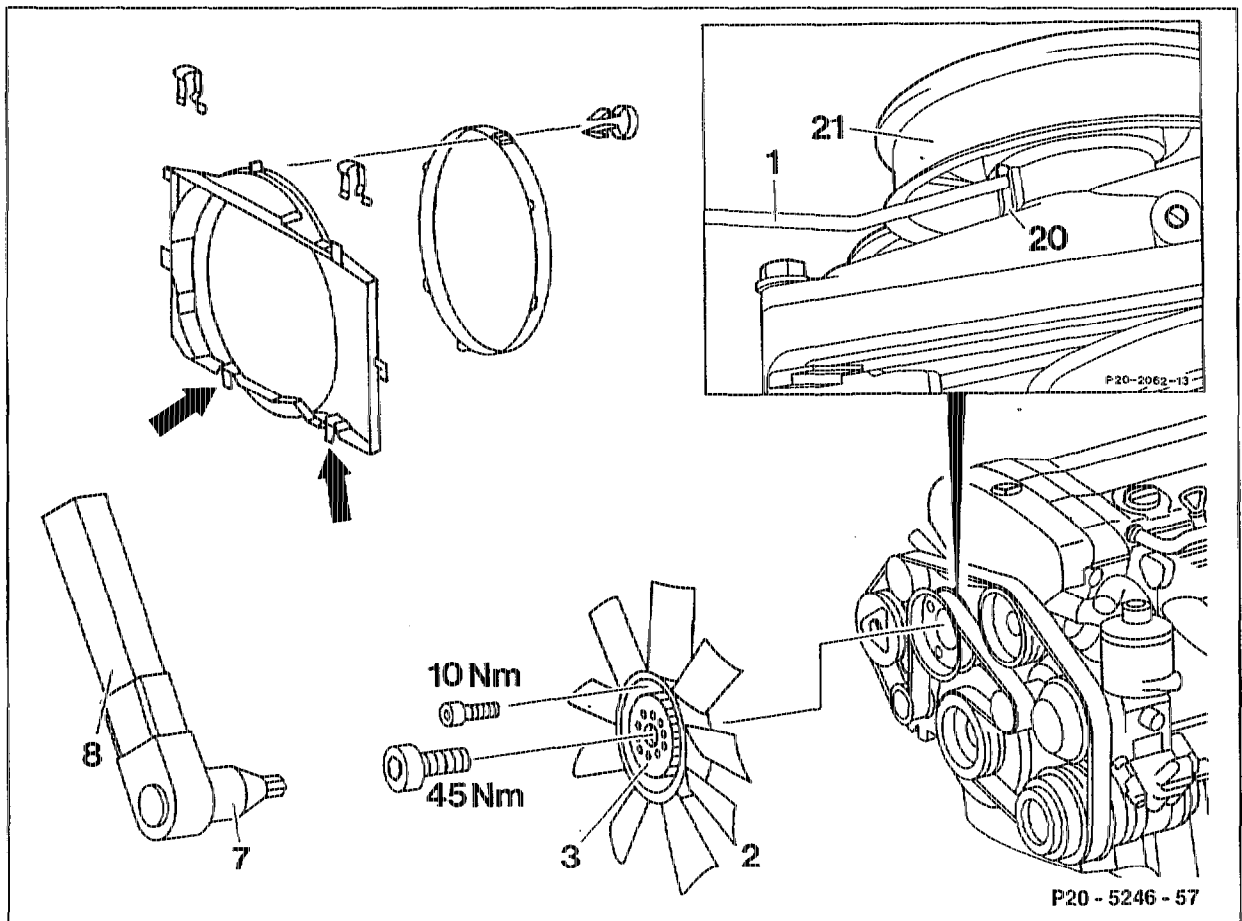


20-3120 Removing and installing viscous fan clutch

Preceding work:
Fan shroud removed (20-3400).

Operation no. of operation texts and work units or standard texts
and flat rates:
20-6590

A. Model 124



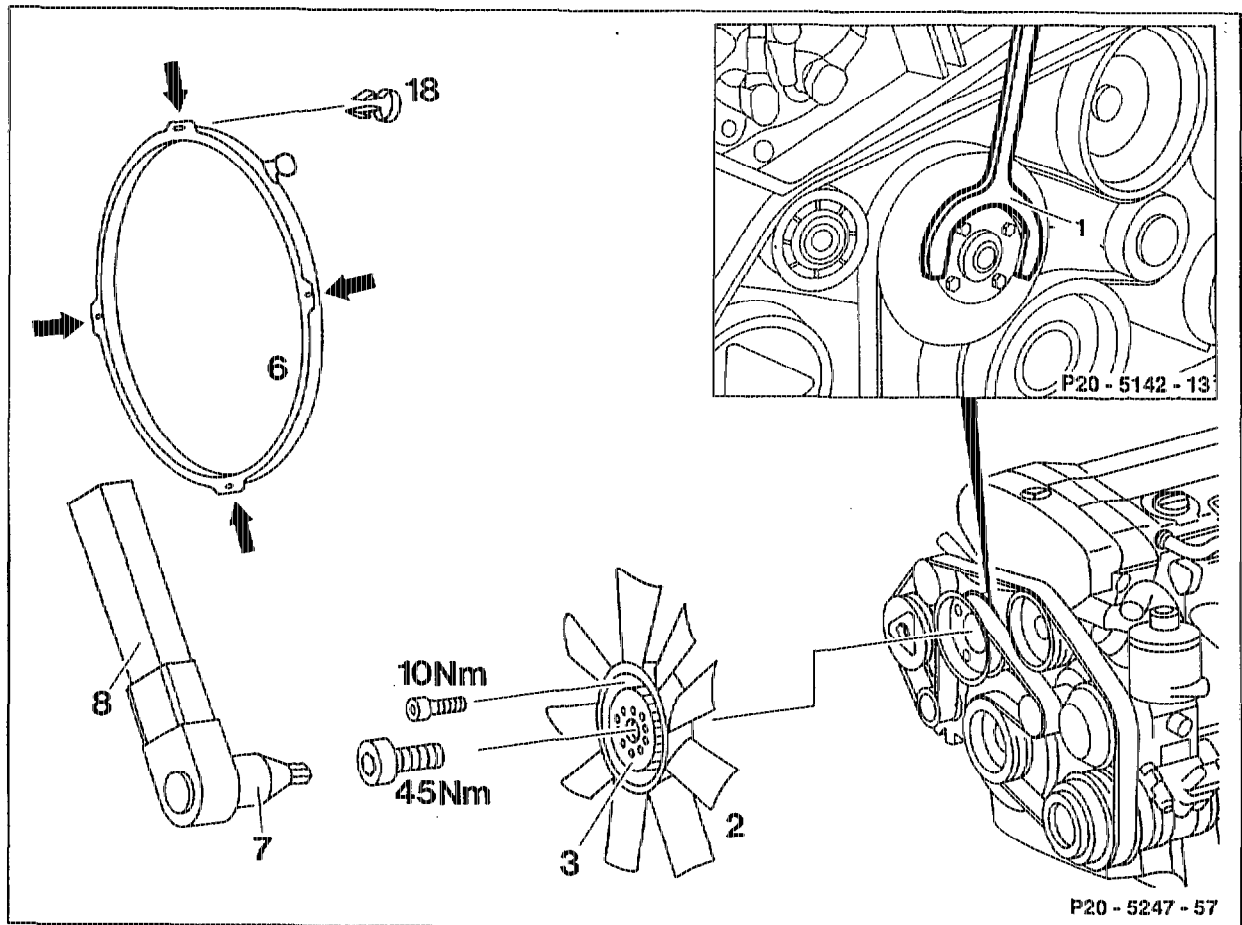
- | | |
|--|---|
| Viscous fan clutch (3) | rotate with hexagon insert (7) 103 589 01 09 00 and torque wrench (8) 001 589 72 21 00. |
| Counter-holder (1) 103 589 00 40 00 | engage from the rear of the belt pulley (21) in the retaining slot (20) of the fan bearing bracket and simultaneously in the retaining hole of the belt pulley. |
| Viscous fan clutch (3) together with fan (2) | unbolt, remove, install (45 Nm). |
| Viscous fan clutch (3) at fan (2) | unbolt, bolt on (10 Nm). |



The cast part number of the fan (2) must be positioned at the front (radiator side).

B. Model 129

Operation no. of operation texts and work units or standard texts
and flat rates:
20-6590

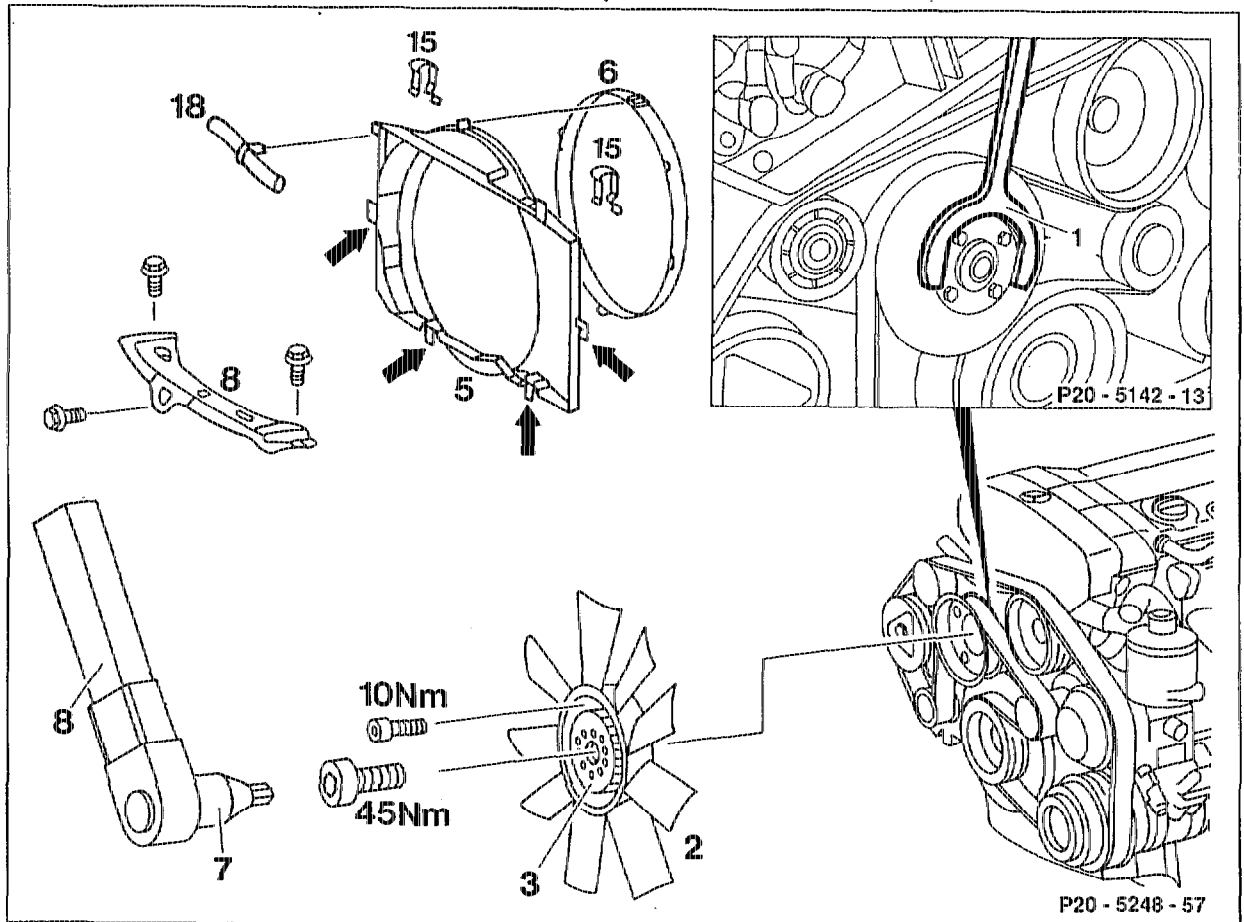


Locking pin (18)	remove, install.
Fan shroud ring (6)	turn to the left, place over fan (2), install (20-3400).
<p>⚠</p> <p>When installing, ensure that the 4 engaging studs (arrows) of the fan shroud ring (6) are correctly located in the fan shroud.</p>	
Counter-holder (1) 120 589 02 01 00	fit on, remove.
Viscous fan clutch (3) with fan (2)	unbolt with hexagon insert (7) 103 589 01 09 00 and torque wrench (8) 001 589 72 21 00, remove, install (45 Nm).
Viscous fan clutch (3) at fan (2)	unbolt, bolt on (10 Nm).
<p>⚠</p> <p>The cast part number of the fan (2) must be positioned at the front (radiator side).</p>	

C. Model 140

Preceding work:
Fan shroud removed (20-3400).

Operation no. of operation texts and work units or standard texts
and flat rates:
20-6590



- | | |
|---|--|
| Counter-holder (1) 120 589 02 01 00 | fit on. |
| Viscous fan clutch (3) with fan (2) | unbolt with hexagon insert (7) 103 589 01 09 00
and torque wrench (8) 001 589 72 21 00,
remove, install (45 Nm). |
| Viscous fan clutch (3) at fan (2) | unbolt, bolt on (10 Nm). |

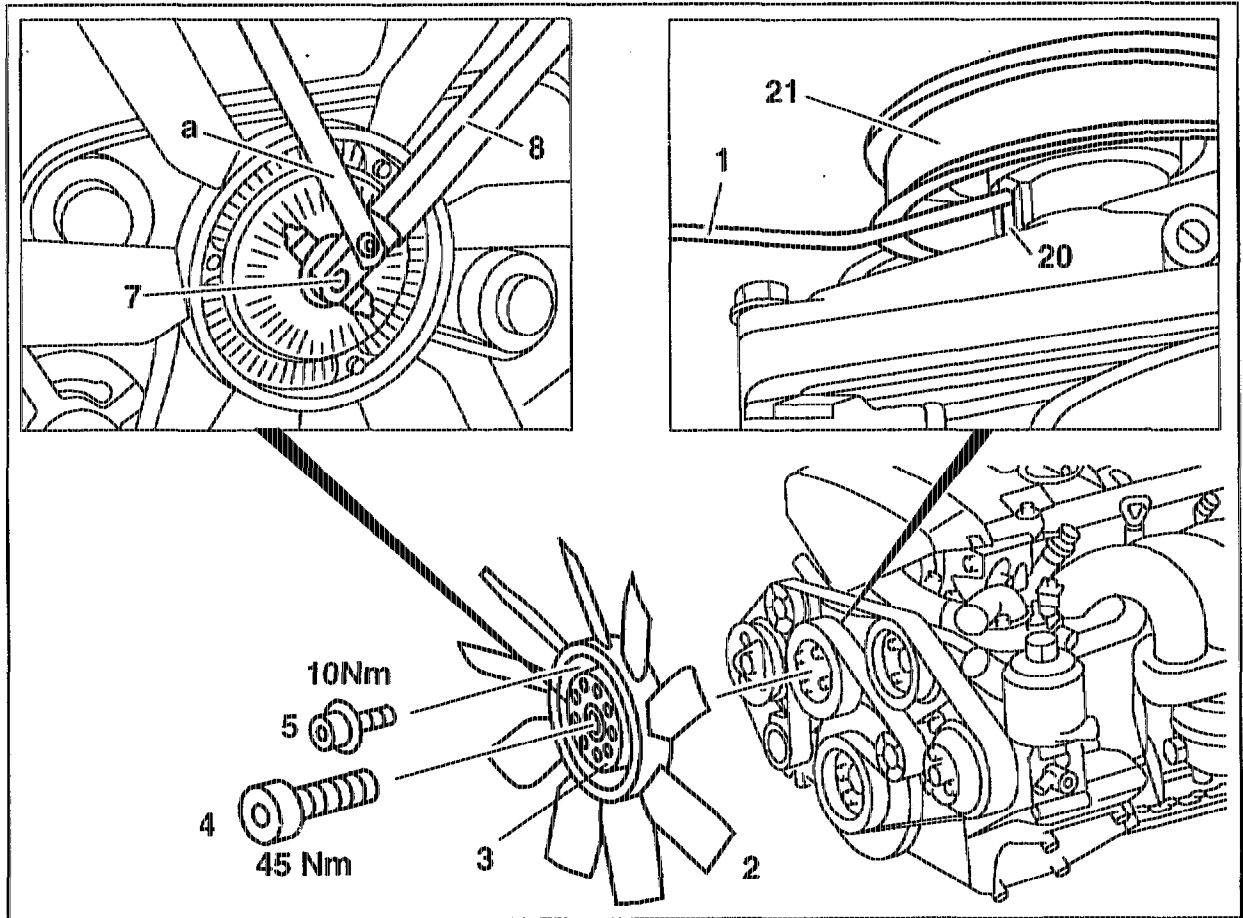


The cast part number of the fan (2) must be positioned at the front (radiator side).

D. Model 202

Preceding work:
Fan shroud removed (20-3400).

Operation no. of operation texts and work units or standard texts
and flat rates:
20-6590



P20-5314-57

- 4 M6 × 15 bolt + washer
5 M10 × 45 hexagon socket bolt

Wrench (7) 120 589 14 07 00
Torque wrench (8) 001 589 72 21 00 with
head in wrench (7) removed
Counter-holder (1) 103 589 00 40 00

Bolt (4) of viscous fan clutch (3)
Wrench (7)
Bolt (4)
Viscous fan clutch (3)

fit on at bolt of viscous fan clutch.

fit on and rotate viscous fan.

engage from the rear of the belt pulley (21) into
the retaining slot (20) of the fan bearing bracket
and simultaneously into the retaining hole of the
belt pulley.

slacken, tighten (41 Nm).

turn with handle (a).

unscrew, screw on.

remove together with fan (2) and bolt (4), install.

Viscous fan clutch (3) at fan (2) unbolt, bolt on (10 Nm).

Note

As a result of cast rib, fan (2) can only be installed on one side.

Tightening torques in Nm

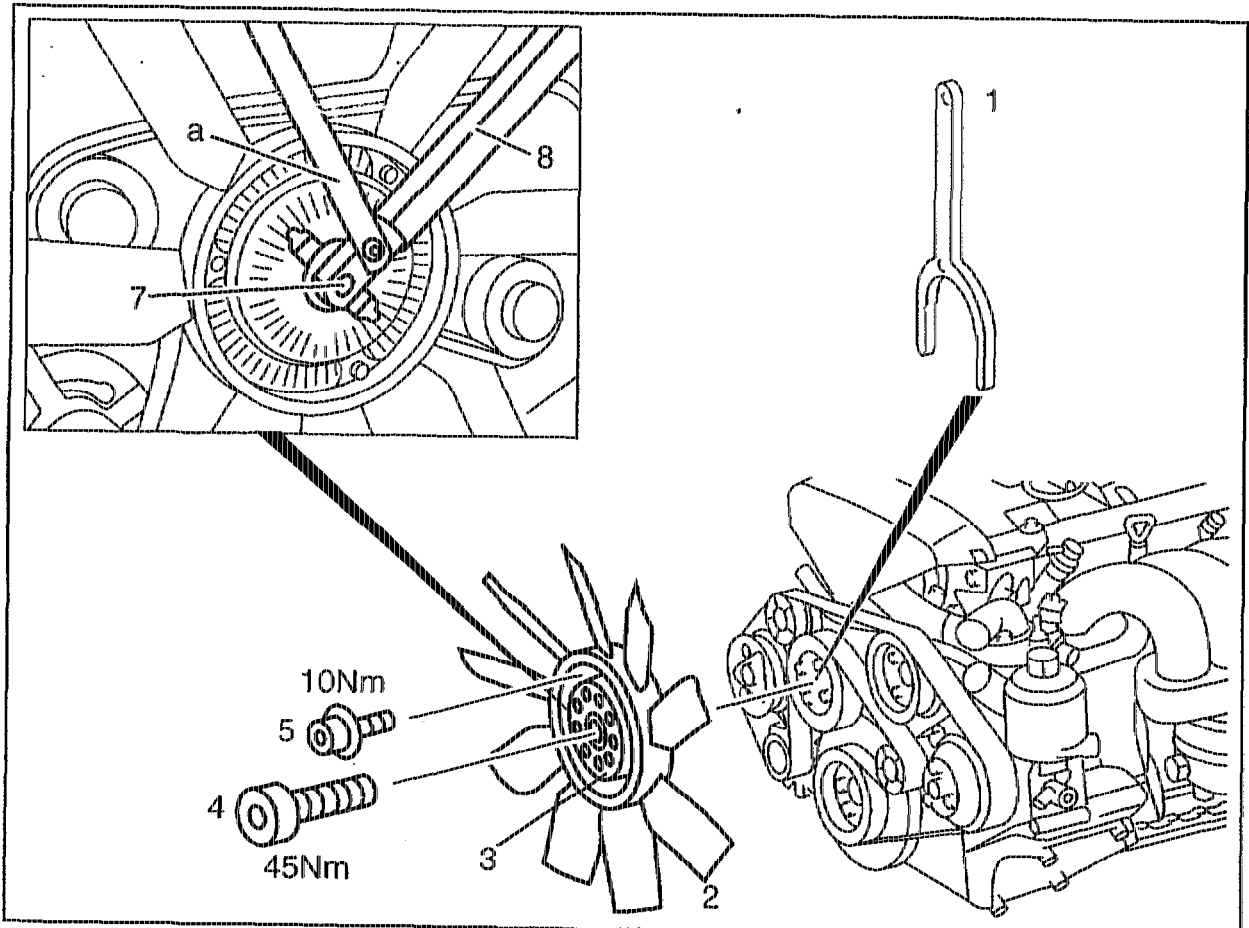
Viscous fan clutch to bearing body	45 (41) ¹⁾
Fan to viscous fan clutch	10

¹⁾ Model 202 tightened with wrench 120 589 14 07 00

E. Model 210

Preceding work:
Fan shroud removed (20-3400).

Operation no. of operation texts and work units or standard texts
and flat rates:
20-6590



P20.40-0218-57

Wrench (7) 120 589 14 07 00	fit on at bolt of viscous fan clutch.
Torque wrench (8) 001 589 72 21 00 with head in wrench (7) removed	fit on.
Counter-holder (1) 120 589 02 01 00	fit on.
Bolt (4) of viscous fan clutch (3)	slacken, tighten (41 Nm).
Wrench (7)	turn with handle (a).
Bolt (4)	unscrew, screw on.
Viscous fan clutch (3)	remove together with fan (2) and bolt (4), install.
Viscous fan clutch (3) at fan (2)	unbolt, bolt on (10 Nm).

Note

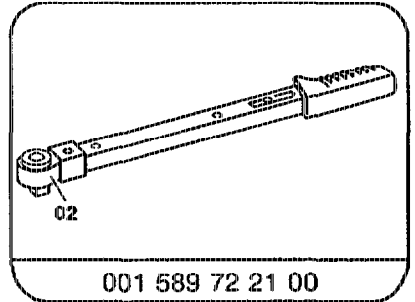
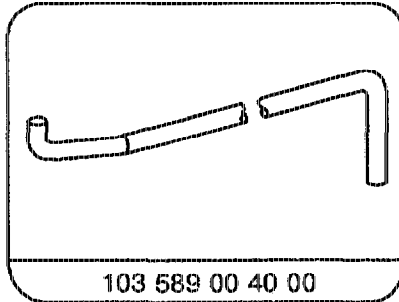
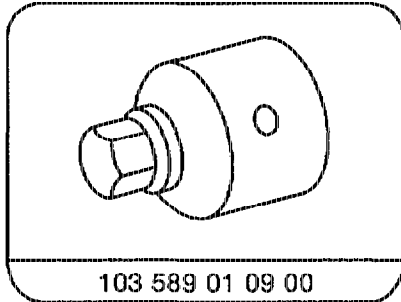
As a result of cast rib, fan (2) can only be installed on one side.

Tightening torques in Nm

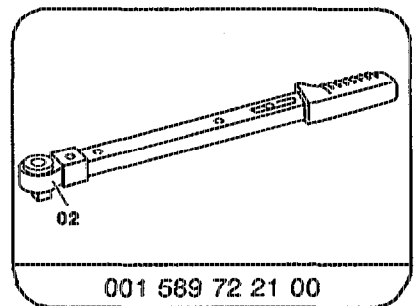
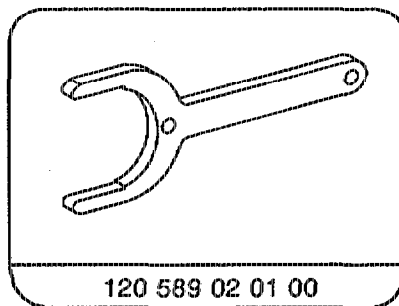
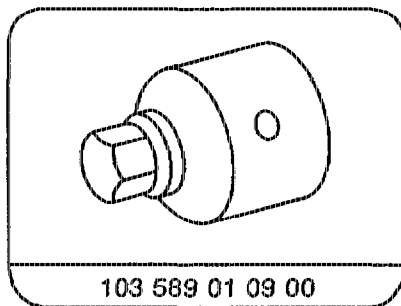
Viscous fan clutch to bearing body	45 (41) ¹⁾
Fan to viscous fan clutch	10

¹⁾ Model 202 tightened with wrench 120 589 14 07 00

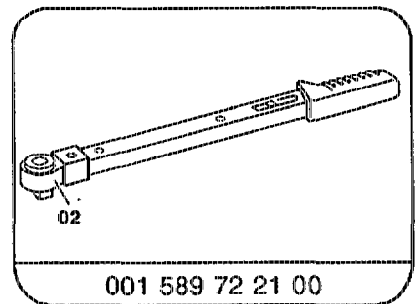
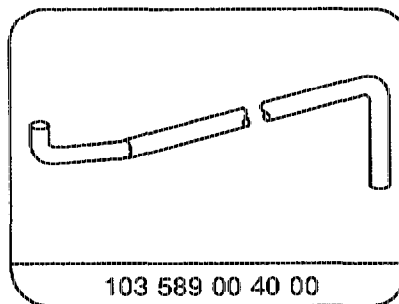
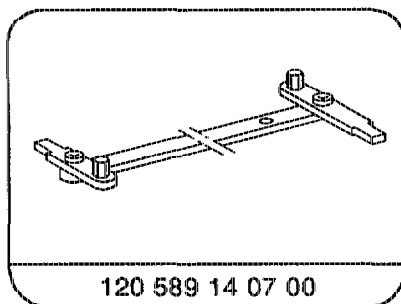
Special tools, model 124



Special tools, models 129, 140



Special tools, model 202



Special tools, model 210

