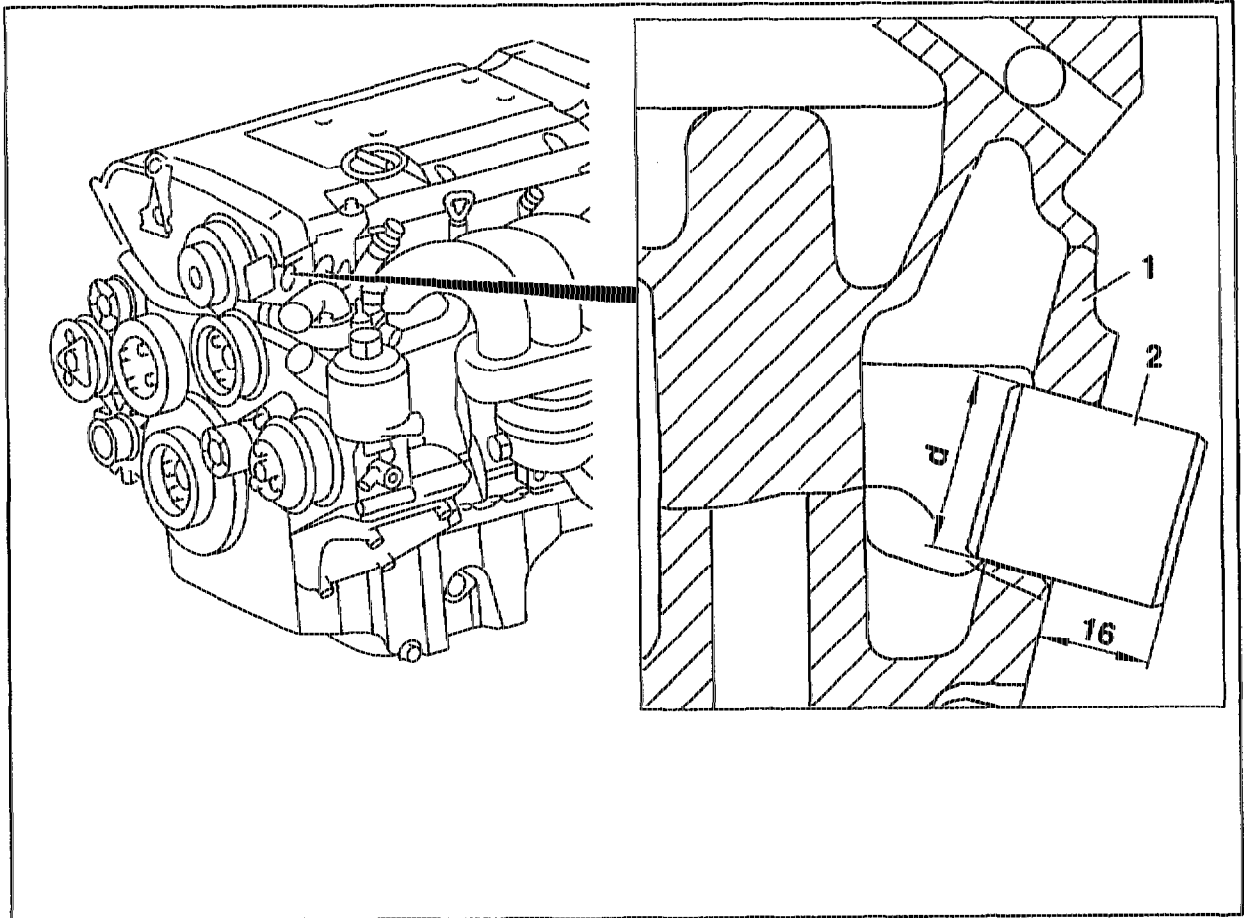


20-2110 Replacing connection pipe from cylinder head coolant pump

Preceding work:
Coolant pump removed (20-2100).

Engine 104.98



P20.10-0216-57

d Fit drilling 25.000 – 25.025 mm

Connection pipe (2)	strike on the side with a punch, loosen in cylinder head (1).
Connection pipe (2)	pull out with locking pliers.
	⚠
	Do not damage cylinder head.
Fit drilling	clean.
Fit drilling	examine for concentricity and dimensional tolerance.
Collar of new connection pipe (2)	coat with Loctite 270 high strength 002 989 93 71 10
New connection pipe (2)	position at fit drilling and knock in with a plastic-headed hammer until it projects 16 mm.