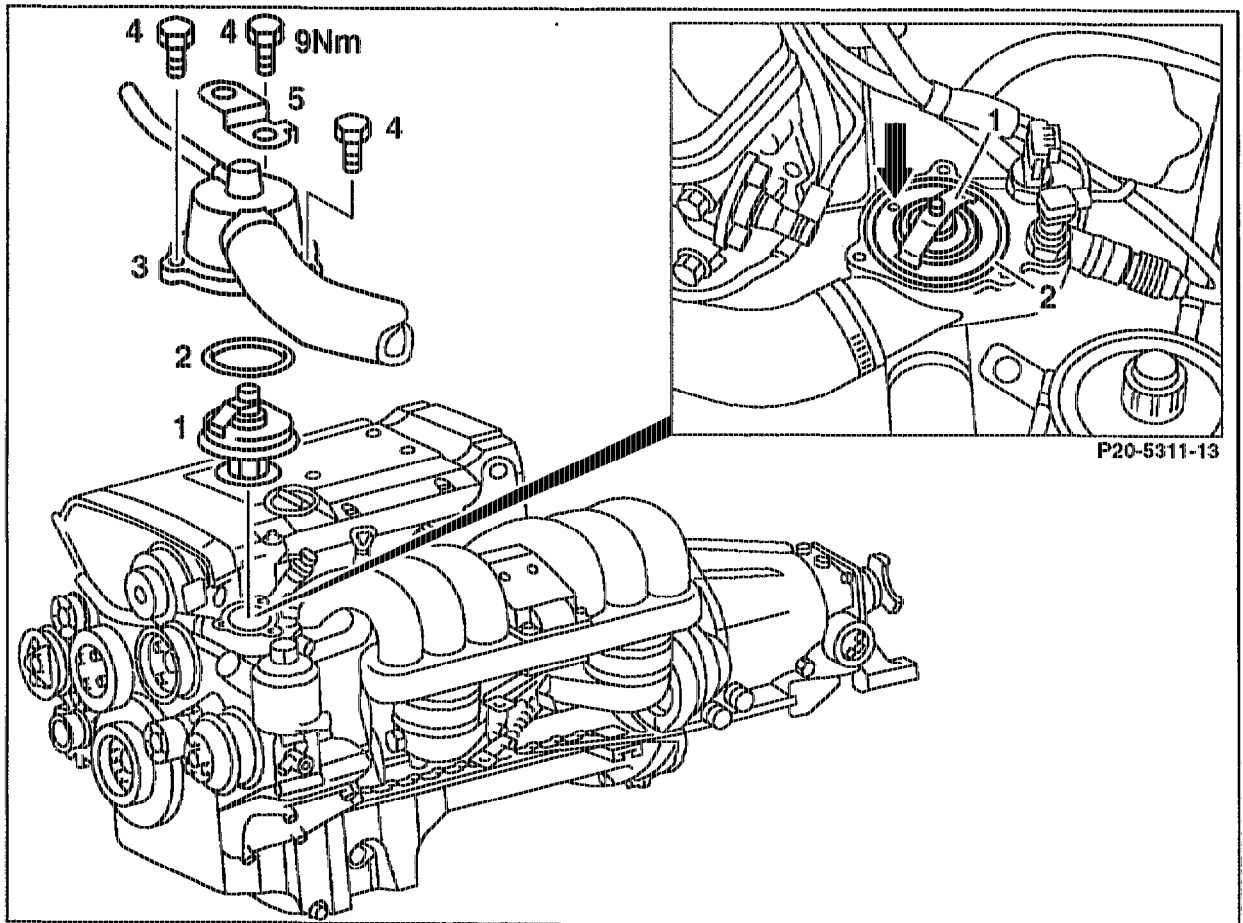


20-1100 Removing and installing coolant thermostat

Warning instructions when hood open (01-0085)

Operation no. of operation texts and work units or standard texts
and flat rates:
20-2460-2482



Coolant at radiator	drain, pour in (20-0100).
Coolant thermostat housing cover with coolant hoses connected	unbolt, bolt on (9 Nm). Model 202: pay attention to bracket (5).
Coolant thermostat (1)	remove, install.
Note	
	The ball valve (arrow) of the coolant thermostat (1) must be at the highest point.
Seal (2)	replace (20-0100).
Cooling system	check for leaks (20-0170).