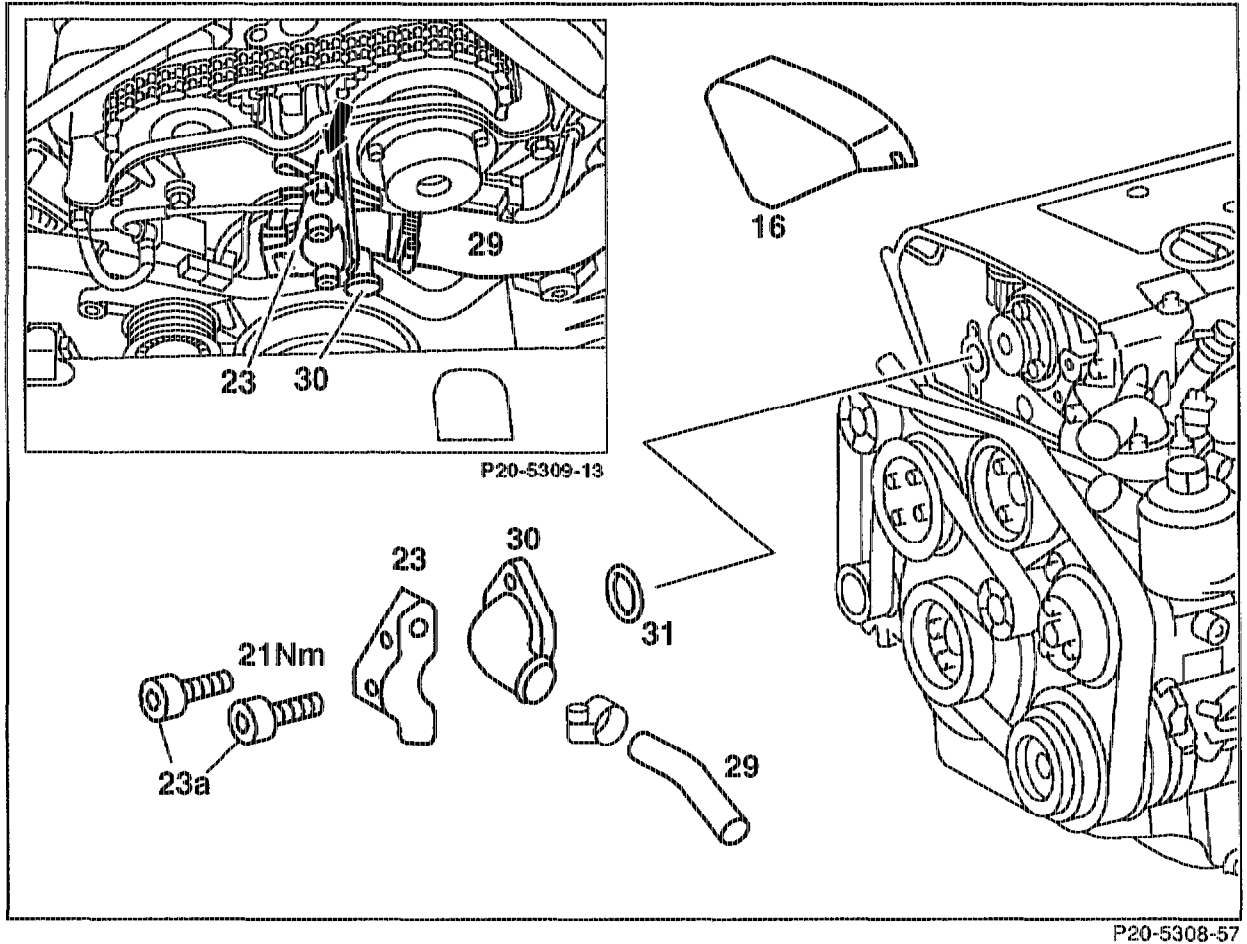


20-1000 Removing and installing coolant connection fitting at front cover

Preceding work:
Fan shroud removed (20-3400)

Operation no. of operation texts and work units or standard texts
and flat rates:

Models 202, 210



Coolant at radiator	drain (20-0100).
Cover (16)	remove, install.
If secondary air injection fitted:	unbolt ground cables (arrow), bolt on.
If secondary air injection fitted:	unclip connector at bracket (23), clip into place.
Coolant hose (29)	take off, fit on.
Bolts (23a)	unscrew, screw on (21 Nm).
Bracket (23) and connection fitting (30)	remove, install.
Seal (31)	replace.
Coolant	pour in (20-0100).
Leaktightness	check (20-0170).