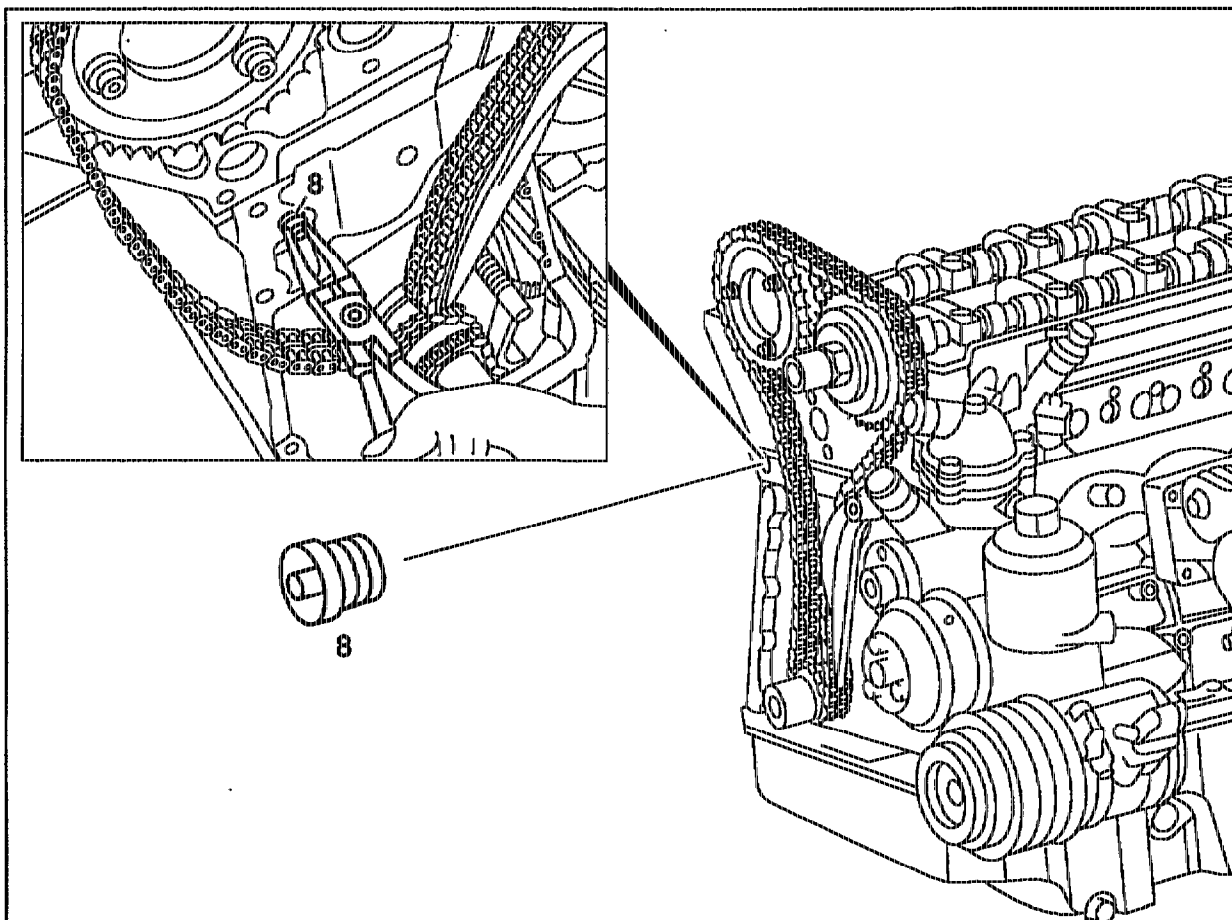


18-4150 Replacing oil non-return valve of chain tensioner

Preceding work:
Timing case cover removed (01-2100)
Tensioning rail removed (05-3300)

Operation no. of operation texts and work units or standard texts
and flat rates:



P18-5264-57

Oil non-return valve (8)	pull off with suitable pliers.
New oil non-return valve (8)	install by hand.

Function

The oil non-return valve (8) prevents the oil reservoir for the chain tensioner in the timing case cover running dry when the engine is not operating.