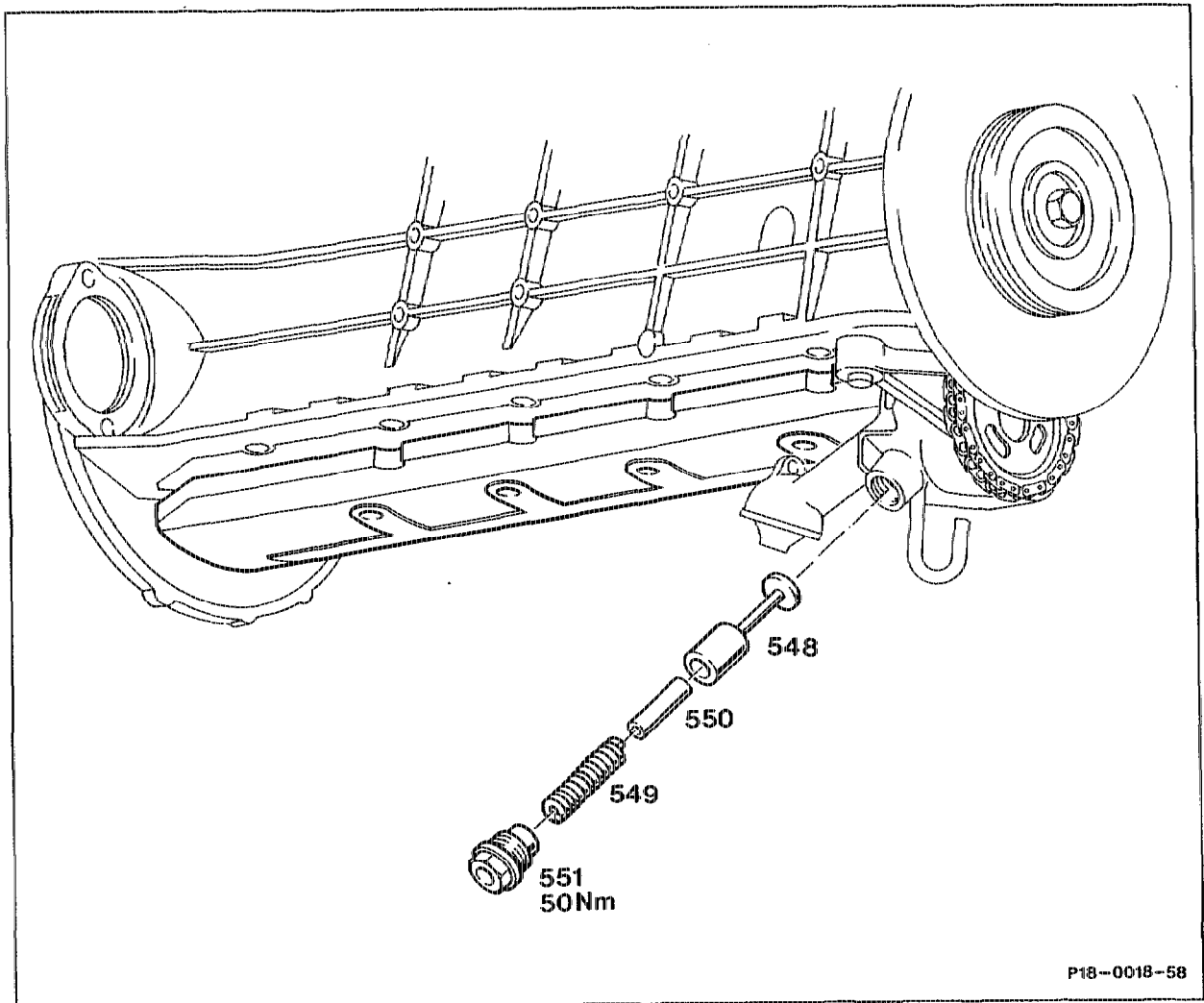


18-2150 Removing and installing oil pressure relief valve in oil pump

Preceding work:
Oil sump removed (01-3100)

Operation no. of operation texts and work units or standard texts
and flat rates
18-5043



P18-0018-58

Screw plug (551)	unscrew, tighten, 50 Nm.
Compression spring (549)	remove, install.
Guide pin (550)	remove, install.
Plunger (548)	remove, install.