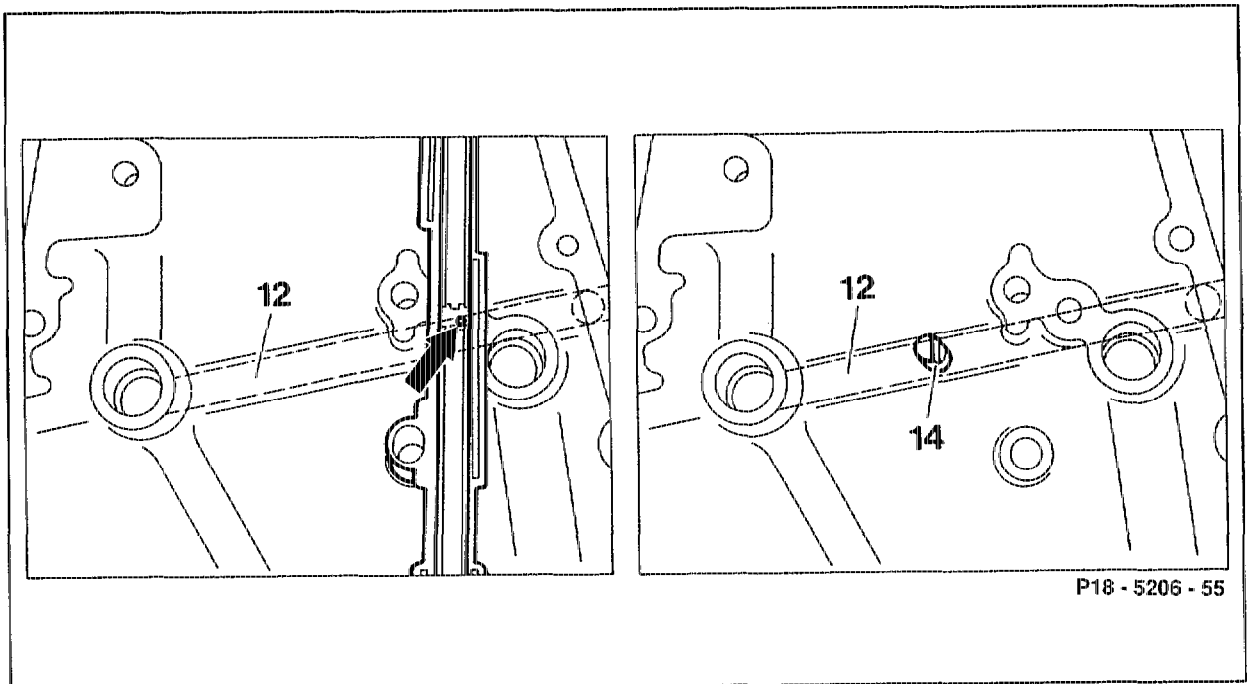


P18-5272-61

- | | | | |
|---|--|----|--|
| 1 | Oil pump | 9 | Chain tensioner |
| 2 | Oil longitudinal gallery to oil filter | 10 | Vent for chain tensioner |
| 3 | Oil filter | 11 | Front closing cover 17 mm dia. (oil longitudinal gallery to oil filter and main oil gallery) |
| 4 | Oil pressure sensor | 12 | Oil transverse gallery |
| 5 | Main oil gallery | 13 | Ball 6 mm dia. |
| 6 | Oil spray nozzles (piston crown cooling) up to 12/93 | 14 | Timing chain oil spray nozzle |
| 7 | Oil riser gallery to chain tensioner | 15 | Oil riser gallery to cylinder head |
| 8 | Oil non-return valve | | |

16	Ball 15 mm dia. (main oil gallery plug)	26	M10 x 1 screw plug with seal
17	Oil restriction inner dia. 4 mm, engine 104.99	27	Camshaft adjuster
18	Oil feed in hollow-drilled exhaust camshaft	28	Front closing cover, inlet camshaft
19	Oil feed in hollow-drilled inlet camshaft	29	Front threaded bush, exhaust camshaft
20	Oil supply exhaust camshaft bearings 7 x	30	Bucket tappet
21	Oil supply inlet camshaft bearings 7 x	31	Oil pipes to air-to-oil cooler on engines with air-to-oil cooling
22	Oil gallery, bucket tappets oil supply (exhaust side) 12 x	32	Cylinder head closing cover
23	Oil gallery, bucket tappets oil supply (inlet side) 12 x	a	Oil longitudinal gallery from oil pump to oil filter
24	Camshaft closing cover	b	To main oil gallery
25	Ball 8 mm dia. (bucket tappets oil gallery)	c	Dirty oil return drilling to oil sump

Timing chain lubrication



A Engine 104.98

The timing chain is sprayed with oil through a connection in the oil transverse gallery (12) and a drilling (arrow) in the guide rail.

Equip engines with oil drilling (arrow) in crankcase with guide rail 104 025 04 16 in place of 104 052 06 12 (without oil drilling), see (05-3350).

B Engine 104.94/99

The timing chain is sprayed with oil through a connection in the oil transverse gallery (12) and an oil spray nozzle (14).