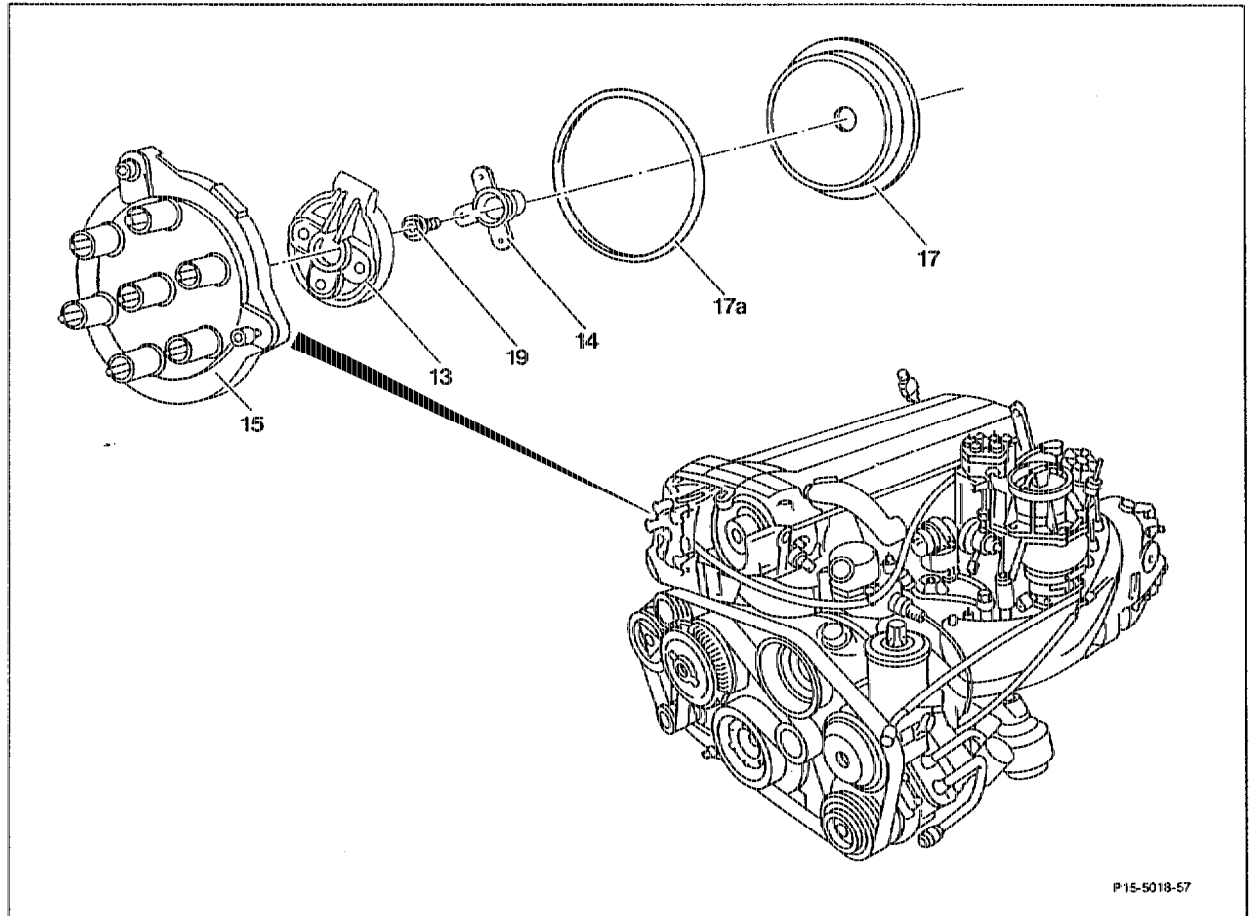


15-3010 Removing and installing high voltage distributor

Operation No. of operation texts and work units or standard texts
and flat rates:
15-3010



P15-5018-57

Cover on cylinder head, pull off upward, fit on.
Ignition cables disconnect, plug in.

Distributor cap (15) take off after slackening the hexagon socket
screws, fit on.

Distributor rotor (13) take off after slackening the screws, fit on.

Installation instruction

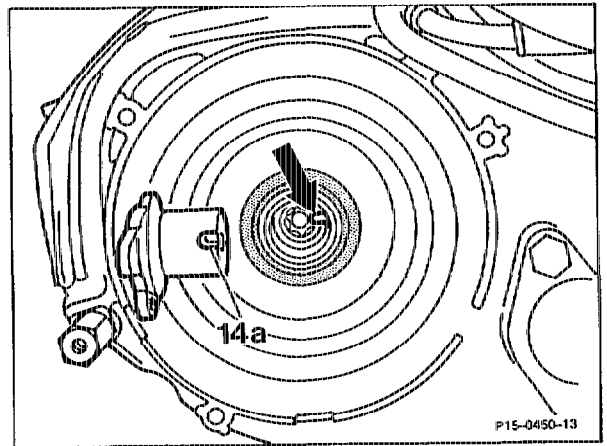
The ignition cables at the distributor cap should be installed in the firing sequence 1-5-3-6-2-4.

- Follower (14) remove by slackening hexagon socket screw (19). When installing, pay attention to locating pin and follower slot (14a, ill.).
- Cover (17) take off, insert, check O-ring (17a).

Note

After removing and installing the high voltage distributor, it is not necessary to set the ignition timing. The ignition timing is fixed by the EZL/AKR control unit.

- Arrow Locating pin
- 14a Follower slot



- 13 Distributor rotor
- 14 Follower
- 15 Distributor cap
- 17 Cover

