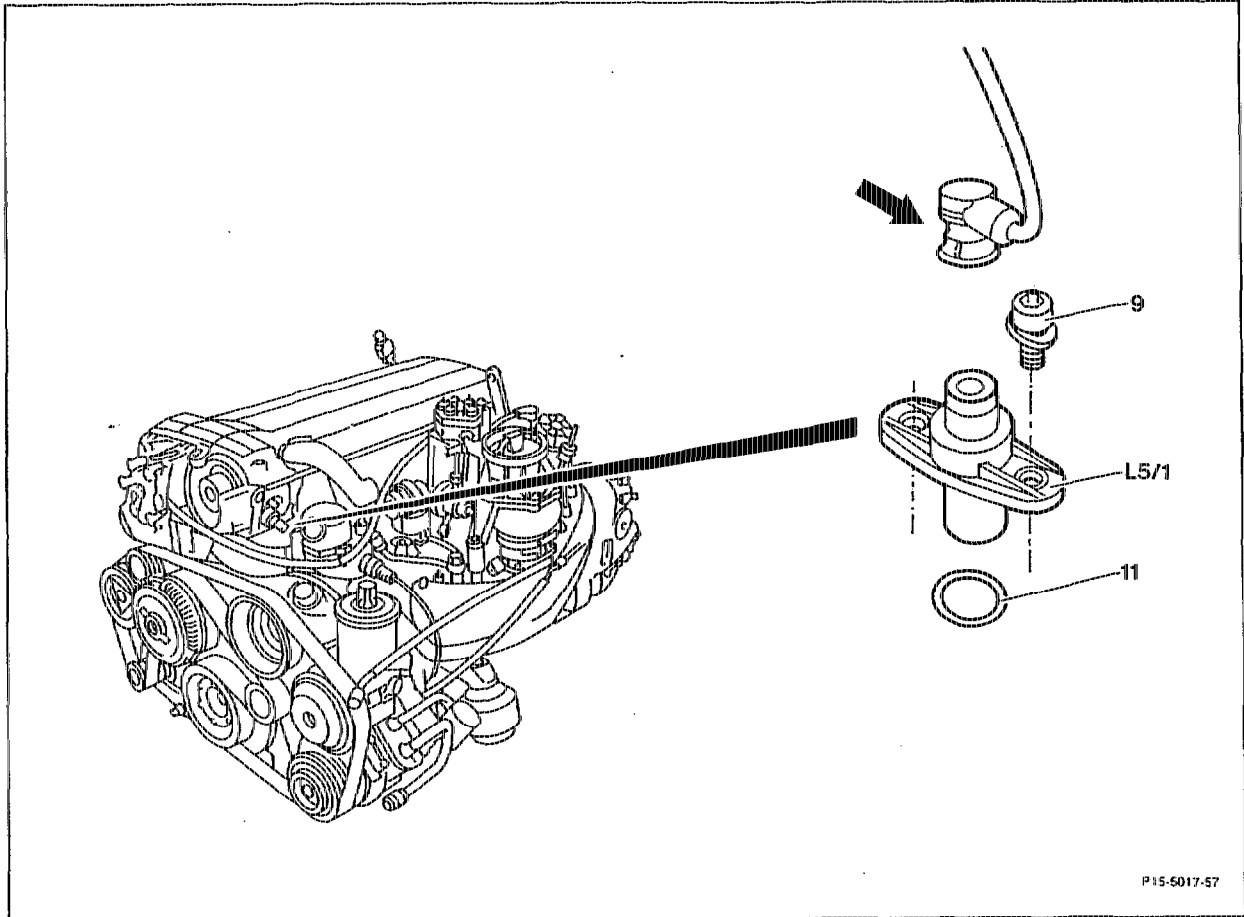


## 15-2143 Removing and installing camshaft position sensor

Operation No. of operation texts and work units or standard texts  
and flat rates:  
15-2143



Connector of camshaft position sensor (arrow) . . .	unplug, plug in.
Screws (9) . . . . .	unscrew, screw in. Tightening torque 10 Nm as reference value.
Camshaft position sensor (L5/1) . . . . .	unplug, plug in.
O-ring (11) . . . . .	replace.
CIS-E control unit fault memory . . . . .	read out, erase if necessary (see Diagnosis Manual Engine, Volume 2, Index 0).

### Note

Stored faults which may originate from test work resulting from cables being disconnected or from a simulation, must be erased in the fault memory after completing the work.