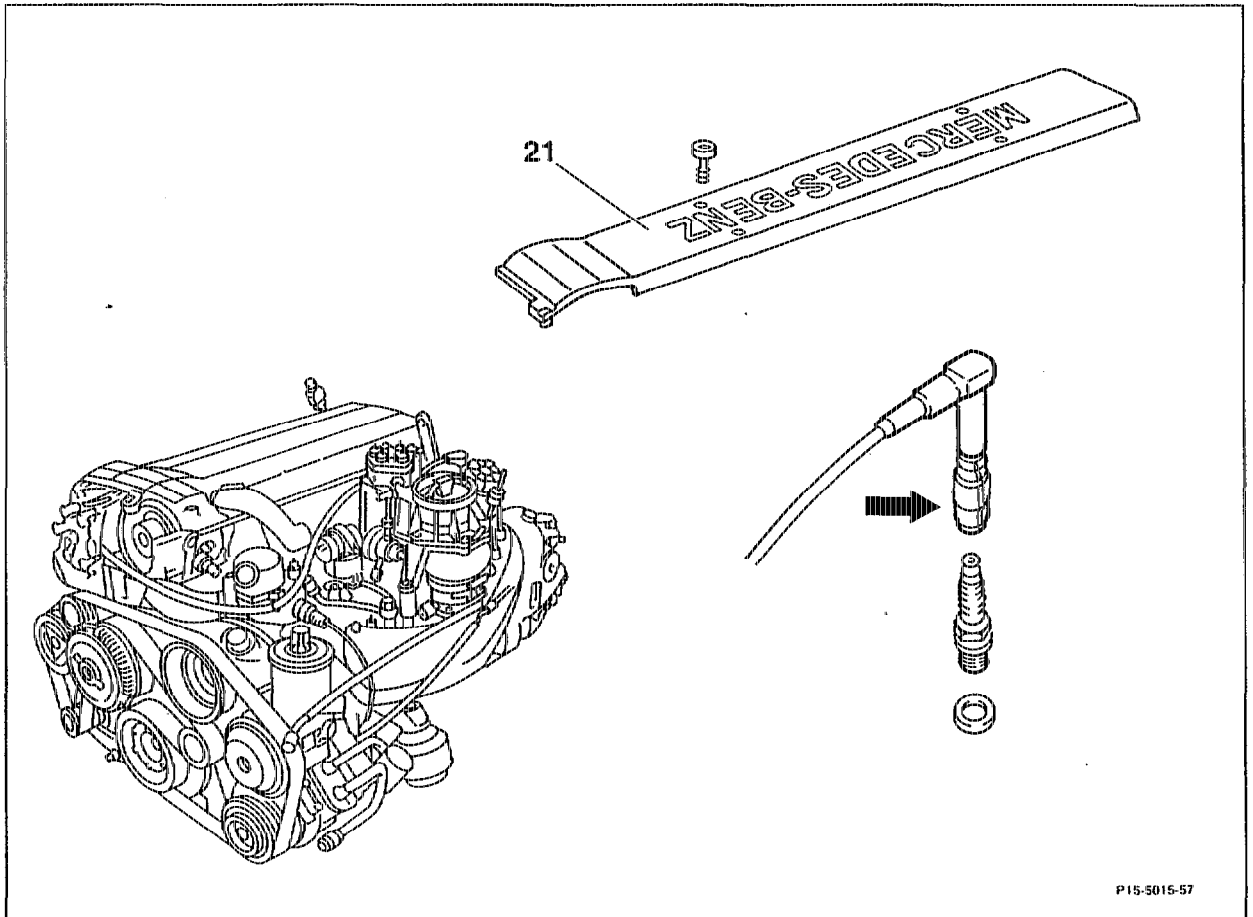


# 15-1031 Replacing spark plugs

Operation No. of operation texts and work units or standard texts and flat rates:  
15-1031

## A. Replacing



Cover (21) .....

detach, fit on.

Spark plug connector (arrow) .....

slacken by turning to right and left, pull off, fit on. Blow out recesses with compressed air.

Ignition cables .....



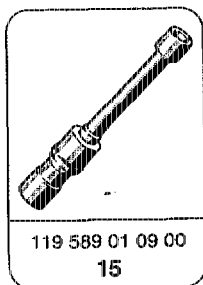
When fitting on, ensure ignition cables are correctly routed.

clean.

Spark plugs .....

unscrew, screw in; renew if necessary.  
Tightening torque 20–30 Nm. For installing,  
use approved spark plug wrench  
119 569 01 09 00.  
Use only approved spark plugs with flat seat  
and seal. Check electrode gap.  
Specification = 0.8 mm.

**Special tool**



**Note**

Since February 1991 the spark plug connectors are partially screened (Beru and Bosch).

**Production breakpoint: February 1991**

| Model                         | Engine  | Engine end no.<br>Manual transmission | Engine end no.<br>Automatic transmission |
|-------------------------------|---------|---------------------------------------|------------------------------------------|
| 124.031<br>124.051<br>124.091 | 104.980 | 005464                                | 023786                                   |
| 129.061                       | 104.981 | 001046                                | 010325                                   |

## B. Table of spark plugs

Bosch or Beru spark plugs which are marked with a "O" have a center electrode with a larger diameter, e. g.

BOSCH H7DCO  
BERU 14K-7DUO

Since September 1989 Champion spark plugs have been installed which have a center electrode with a copper core. These spark plugs are identified with a "C", e. g.

CHAMPION S10YCC

### Basic and national versions, except (AUS) (J) (USA), Korea, Taiwan

| Manufacturer                       | BERU     | BOSCH | CHAMPION |
|------------------------------------|----------|-------|----------|
| Spark plugs for normal compression | 14F-8DUO | F8DCO | C10YCC   |
| Spark plugs for low compression    | 14F-9DUO | F9DCO | C12YCC   |

### National version<sup>1)</sup> (AUS) (J) (USA), Korea, Taiwan

| Manufacturer | BERU     | BOSCH | CHAMPION |
|--------------|----------|-------|----------|
| Spark plugs  | 14F-9DUO | F9DCO | C12YCC   |

<sup>1)</sup> The spark plugs are approved only for a max. speed of 160 km/h.  
Spark plugs of the basic version must be installed on tourist cars and for sports competitions.