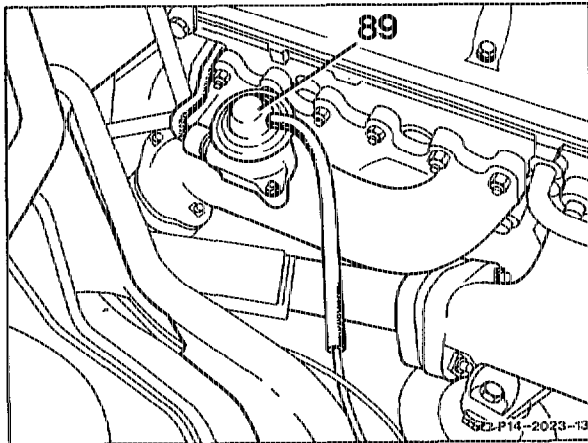


14-7662 Removing and installing exhaust gas recirculation valve

Operation No. of operation texts and work units or standard texts and flat rates:
14-7662

(J) (USA)



Vacuum hose at exhaust gas recirculation valve (89)	detach, fit on.
Union nut	remove, insert.
Securing bolts of exhaust gas recirculation valve	remove, insert, take off exhaust gas recirculation valve, fit on, replace gasket.

Note

Exhaust gas recirculation valve with modified diaphragms since September 1991. Reason: improved leaktightness.

Production breakpoint: September 1991

Model	Motor	Engine end no. Manual transmission	Engine end no. Automatic transmission
124.031 (USA) 124.051 124.091	104.980	006976	031718
129.061 (USA)	104.981	001591	014274