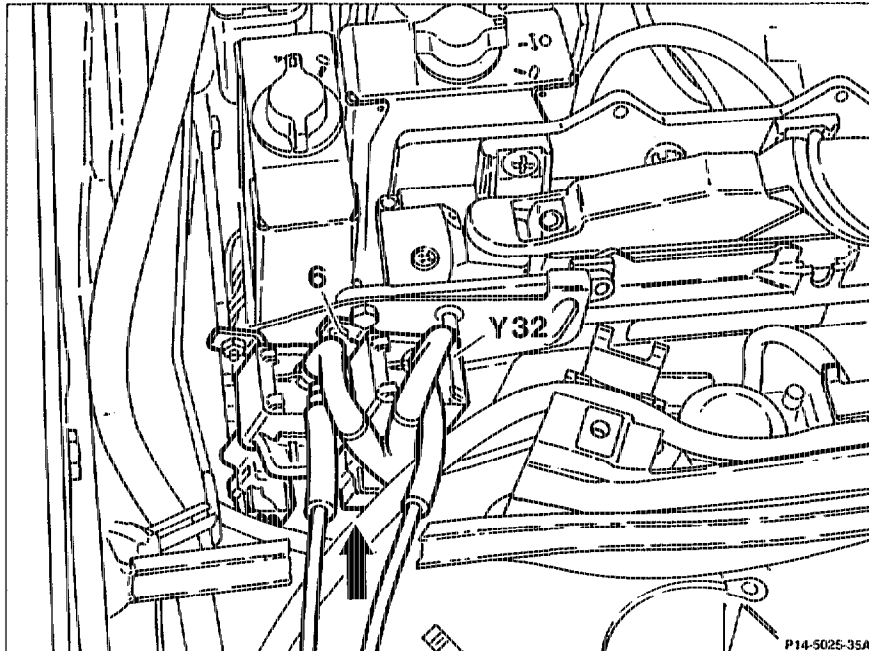


14-7305 Removing and installing air pump switchover valve

Operation No. of operation texts and work units or standard texts
and flat rates:
14-7305



Accessories compartment cover	remove, install (only on model 129).
Electrical connection (arrow) at air pump switchover valve (Y32)	unplug, plug in.
Vacuum hose (tr/vi/bl)	detach, fit on.

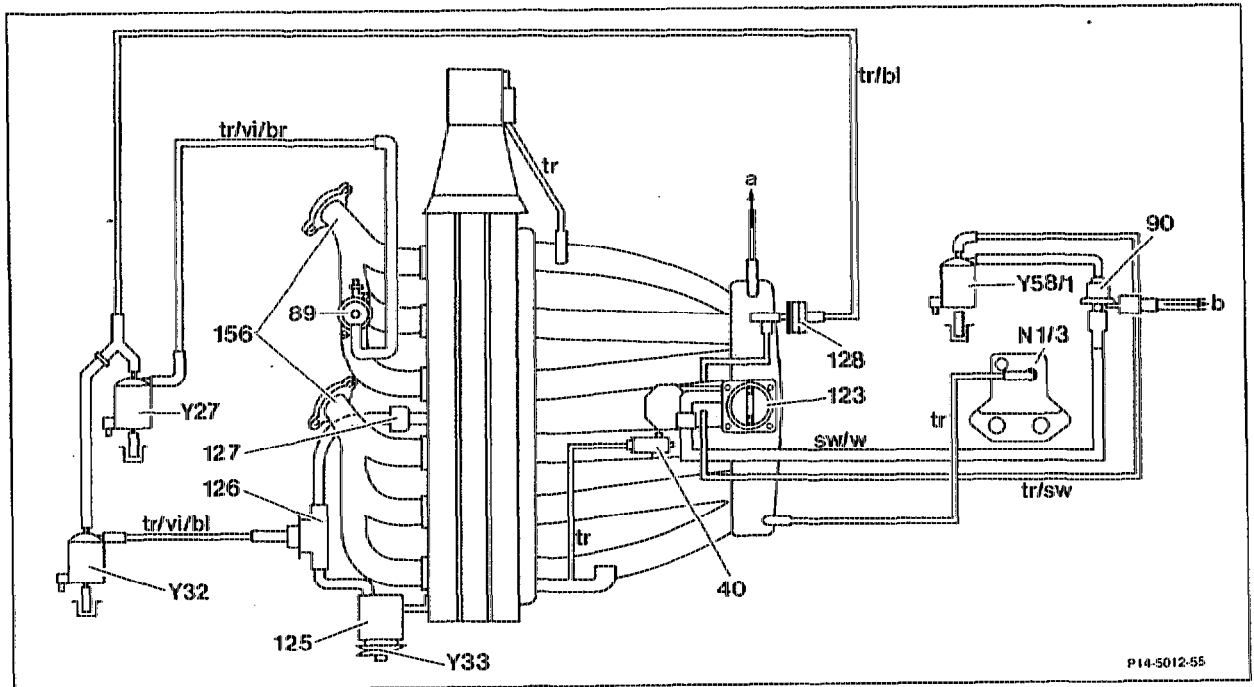
Installation instruction

Pay attention to colour coding on vacuum hose
(see function diagram of air injection).

Vacuum hose for check valve	detach, fit on.
Bolt (6)	unscrew, screw in.
Air pump switchover valve (Y32)	at carrier, detach, attach.

CIS-E control unit fault memory read out, erase if necessary (see Diagnosis Manual Engine, Volume 2, Index 0).

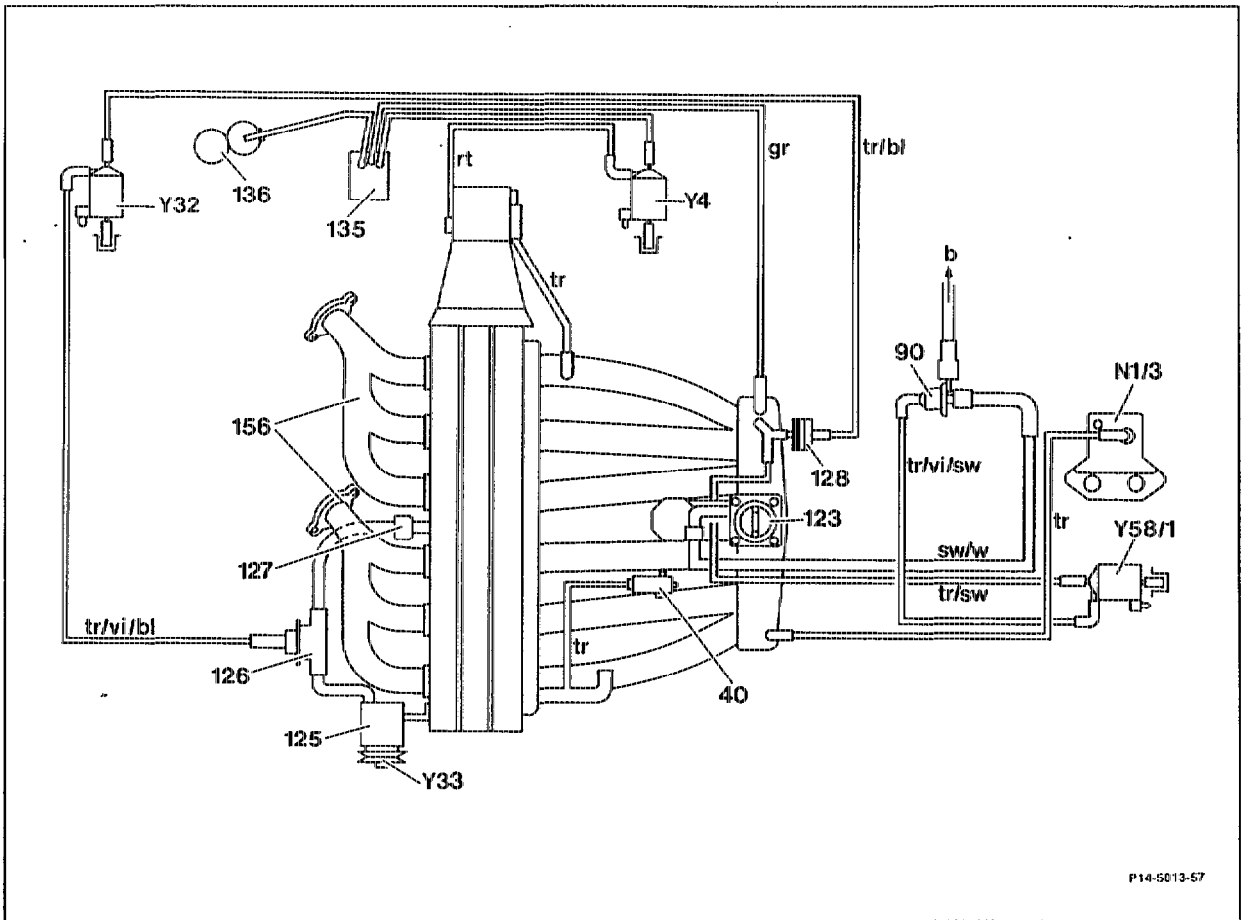
Note
 Stored faults which may originate from test work resulting from cables being disconnected or from a simulation, must be erased in the fault memory after completing the work.



Function diagram of air injection and exhaust gas recirculation, model 124

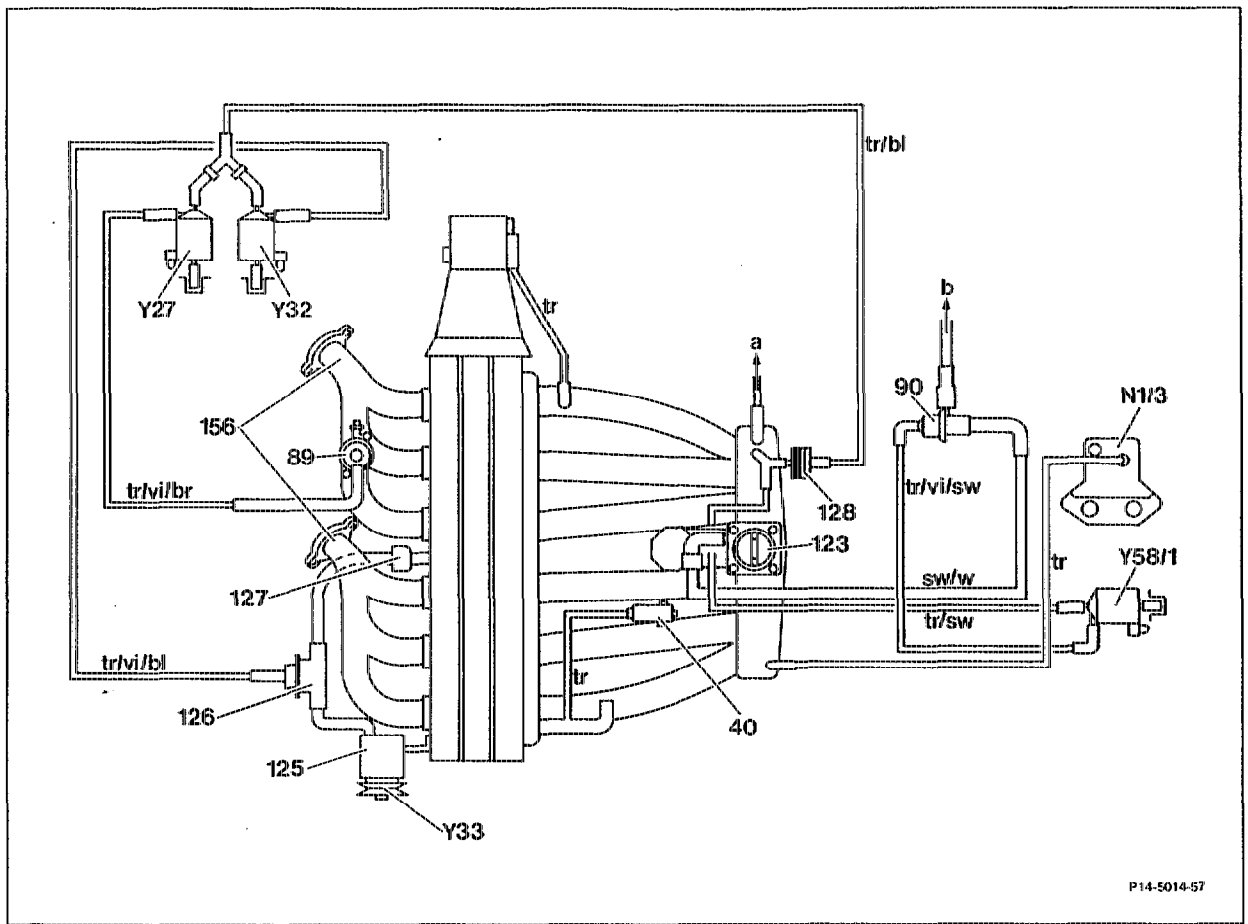
- | | | | |
|-----|------------------------------|-------|--------------------------------|
| 40 | Diaphragm pressure regulator | N1/3 | EZA/AGR control unit |
| 89 | ARF valve | Y27 | ARF switchover valve |
| 90 | Regeneration valve | Y32 | Air injection switchover valve |
| 123 | Throttle valve assembly | Y33 | Electromagnetic clutch |
| 125 | Air pump | Y58/1 | Regeneration switchover valve |
| 126 | Air shutoff valve | | |
| 127 | Check valve (injection air) | a | to further accessories |
| 128 | Check valve (vacuum) | b | to charcoal canister |
| 156 | Exhaust manifold | | |

Note
 ARF switchover valve (Y27) and ARF valve (89) only (J) and (USA).



Function diagram of air injection, model 129

40	Diaphragm pressure regulator	Y4	Economy mode switchover valve
90	Regeneration valve	Y27	ARF switchover valve
123	Throttle valve assembly	Y32	Air injection switchover valve
125	Air pump	Y33	Electromagnetic clutch
126	Air shutoff valve	Y58/1	Regeneration switchover valve
127	Check valve (injection air)		
128	Check valve (vacuum)	a	to further accessories
156	Exhaust manifold	b	to charcoal canister
N1/3	EZL/AKR control unit		



P14-5014-57

Function diagram of air injection and exhaust gas recirculation, model 129 (J) and (USA)

40	Diaphragm pressure regulator	N1/3	EZL/AKR control unit
89	ARF valve	Y27	ARF switchover valve
90	Regeneration valve	Y32	Air injection switchover valve
123	Throttle valve assembly	Y33	Electromagnetic clutch
125	Air pump	Y58/1	Regeneration switchover valve
126	Air shutoff valve		
127	Check valve (injection air)	a	to further accessories
128	Check valve (vacuum)	b	to charcoal canister
156	Exhaust manifold		