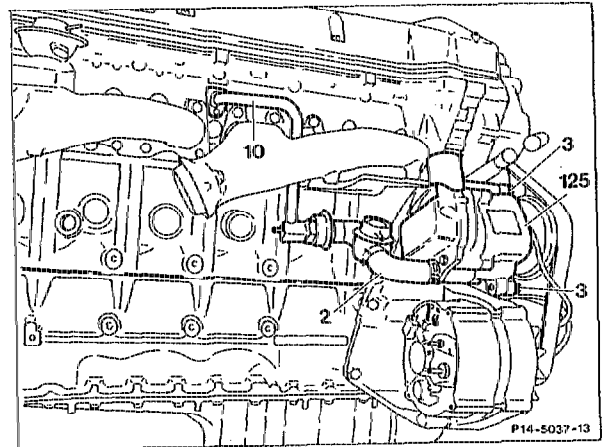
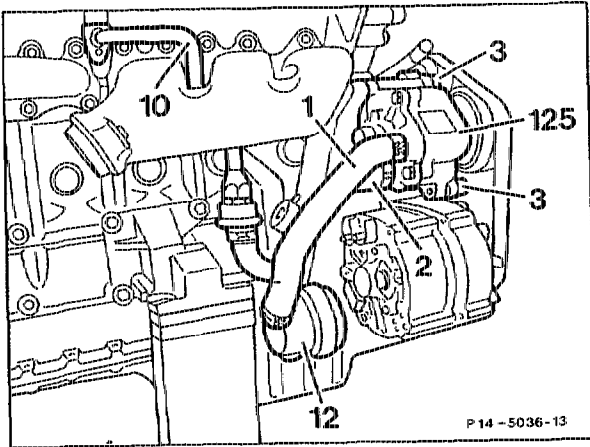


14-7251 Removing and installing air pump

Preceding work:
 Removing and installing poly V-belt (13-1200).
 Removing and installing viscous fan clutch (20-3120).

Operation No. of operation texts and work units or standard texts
 and flat rates:
 14-7251



1st version

2nd version

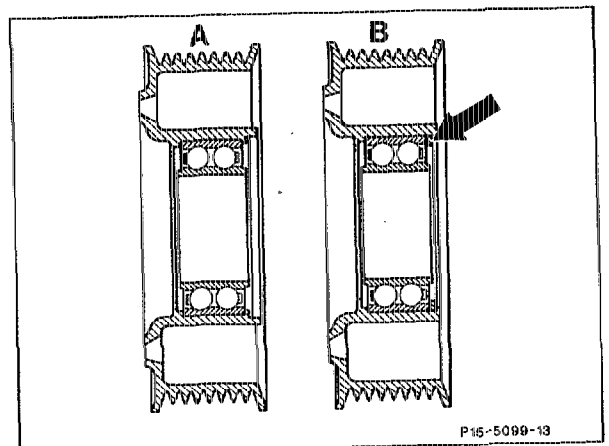
Plug connection of electromagnetic clutch

of air pump	unplug, plug in.
Air intake hose (1) and air injection hose (2)	at air pump (125), detach, fit on.
Screws (3)	remove, insert.
Air pump (125)	remove, insert.
Poly V-belt	tension (see 13-343).

Note

A spacer ring (arrow) is installed in front of the bearing in the belt pulley; previously without spacer ring.

- A Previous version
- B Present version



P16-5099-13

Production breakpoint: August 1991

Model	Engine	Engine end no. Manual transmission	Engine end no. Automatic transmission
124.031 124.051 124.091	104.980	006698	030075
129.061	104.981	001465	013140