

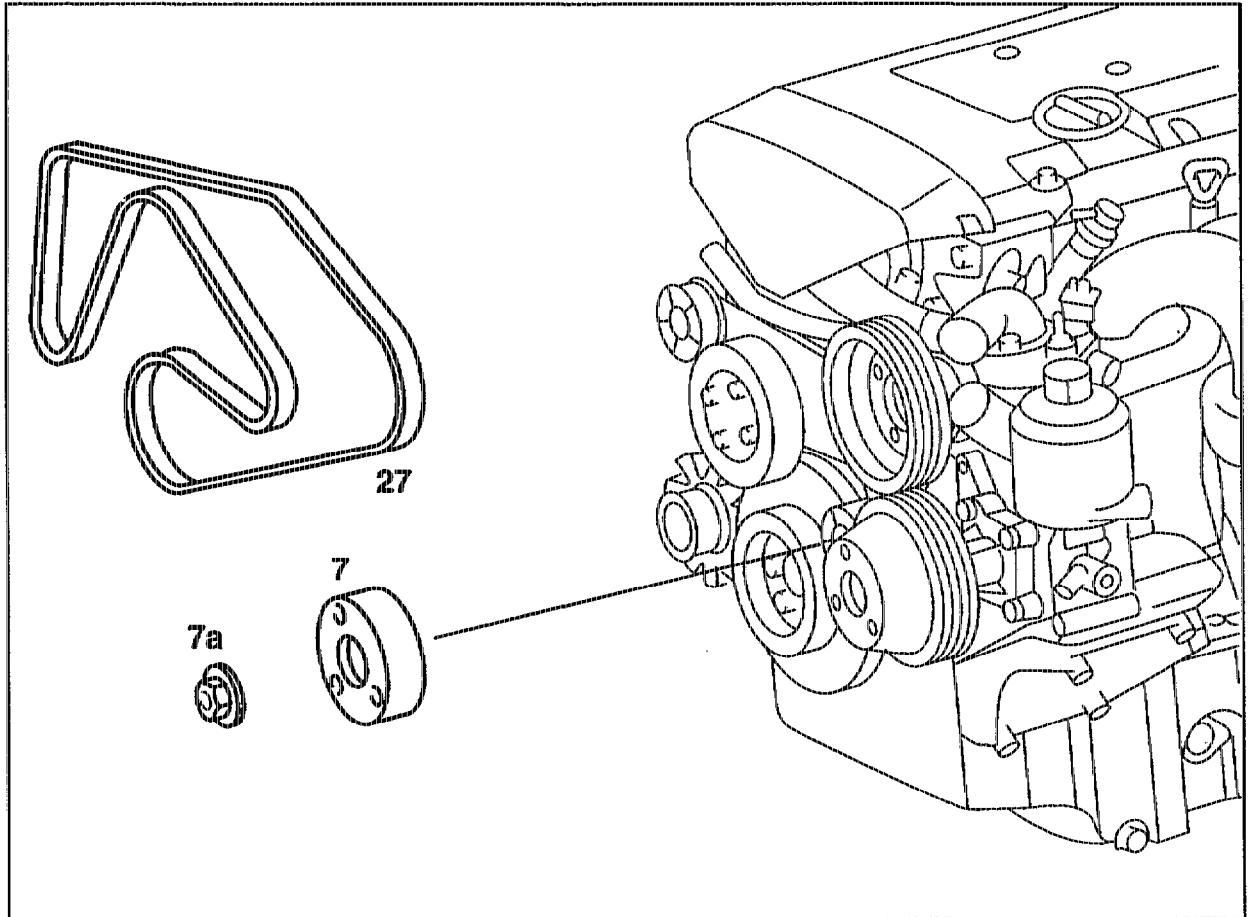
## 13-3250 Removing and installing belt pulley of tensioning device (2nd version)

Preceding work:

Fan shroud removed (20-3400)

Viscous fan coupling removed (20-3120).

2nd version with internal damper as of September 1994



P13.25-0207-57

Poly V-belt (27) .....	remove, install (13-1200).
Belt pulley of tensioning device (7) .....	unbolt, bolt on (45 Nm).


Ball bearing in tensioning pulley (7) . . . . . check it is tight.



The different versions of the tensioning pulley (7) with Ø 80 mm and 93 mm necessitate different length of poly V-belt (13-1240).

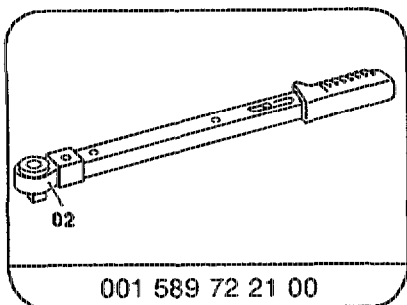


If a 20 mm shorter poly V-belt is installed together with the smaller tensioning pulley (7) (Ø 80 mm) when performing repairs, the belt length should be entered on the last page of the Maintenance Booklet and the Owner's Manual amended accordingly.

 Mercedes-Benz		
<b>Wartungsheft</b>		
<div style="border: 1px solid black; padding: 5px; width: fit-content; margin: auto;"> <p style="text-align: center;"><b>Achtung !</b> Keilrippen-Riemenlänge geändert auf 2 . . . mm.</p> </div>		<div style="border: 1px solid black; padding: 5px; width: fit-content; margin: auto;"> <p><b>Nächster Service</b> 10 000- 12 500km oder</p> <hr style="width: 50%; margin: 0 auto;"/> <p>Monat/Jahr</p> </div>
<b>Personenwagen</b>		

P00.00-0485-33

**Special tool**



**Tightening torque in Nm**

Nut of belt pulley of tensioning device

45

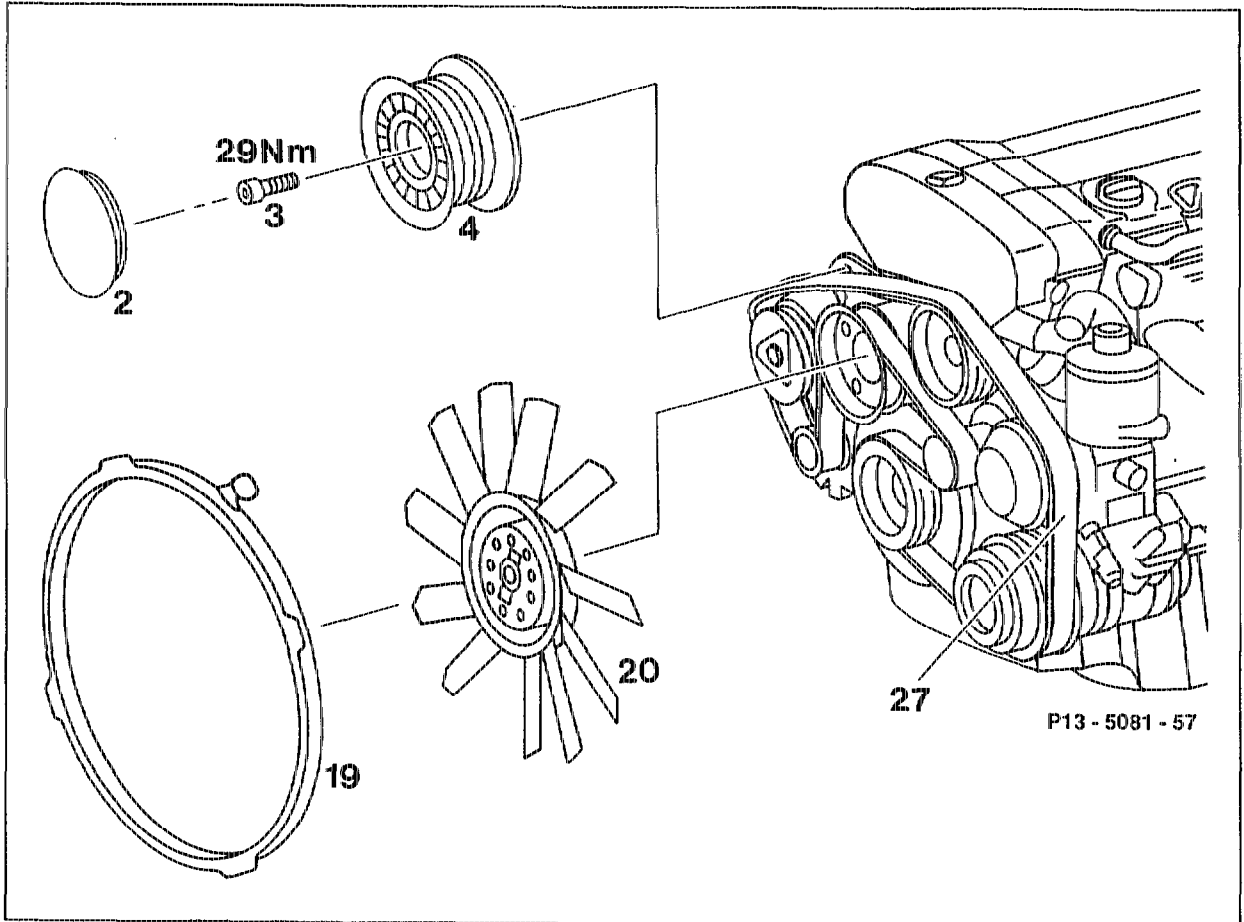
## 13-3460 Removing and installing guide pulley

Preceding work:

Models 124, 210: viscous fan clutch removed (20-3120).

Model 129: fan shroud ring removed (20-3400)

Model 140: fan shroud removed (20-3400).



Poly V-belt (27) .....	slacken, tension (13-1200).
Poly V-belt (27) at guide pulley (4) .....	take off, fit on.
Cover (2) .....	pull off, fit on.
Bolt (3) .....	unscrew, screw on (29 Nm).
Guide pulley (4) at fan bearing bracket or at air pump/generator support .....	take off, fit on.

Special tool

