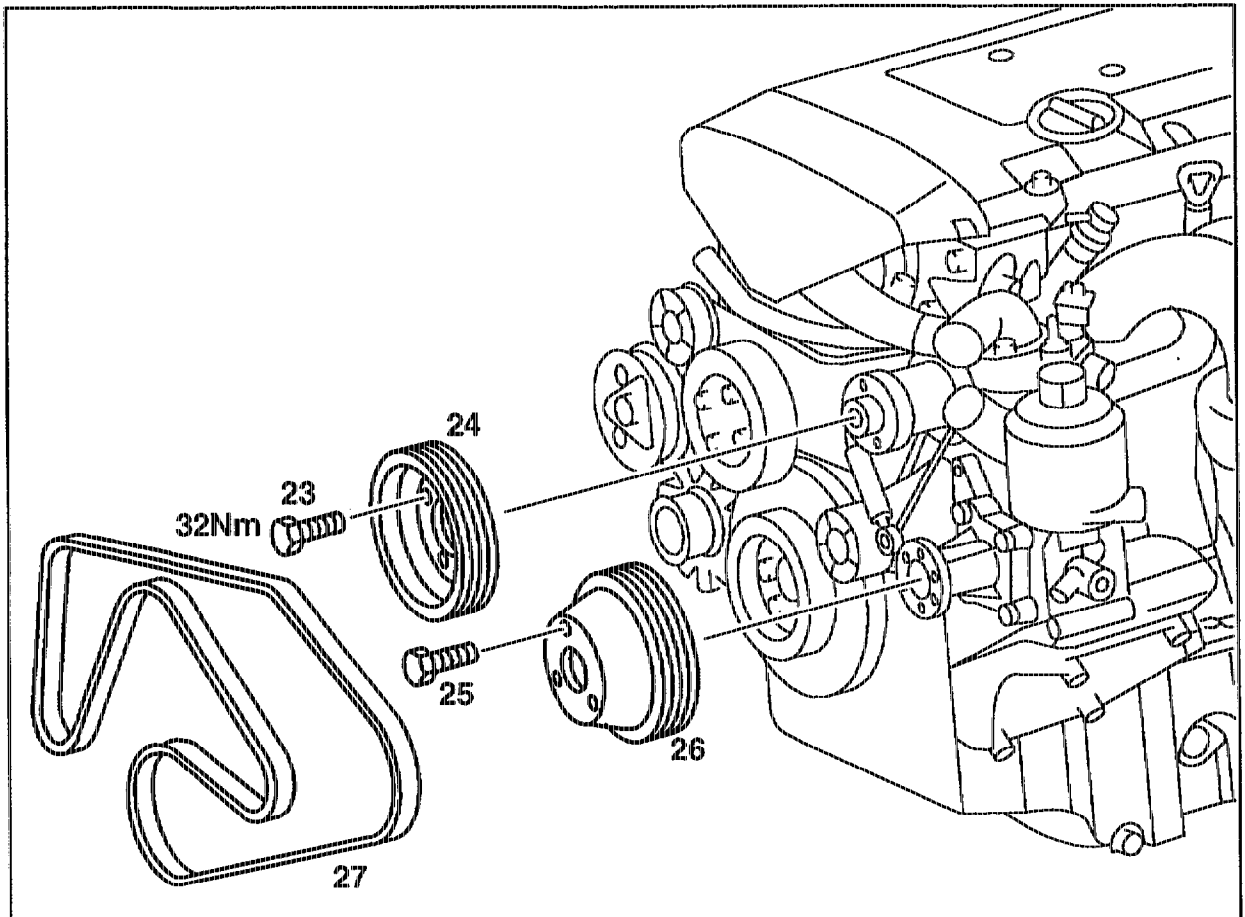


13-3200 Removing and installing tensioning device

Preceding work:
 Fan shroud removed (20-3400).
 Viscous fan clutch removed (20-3120).

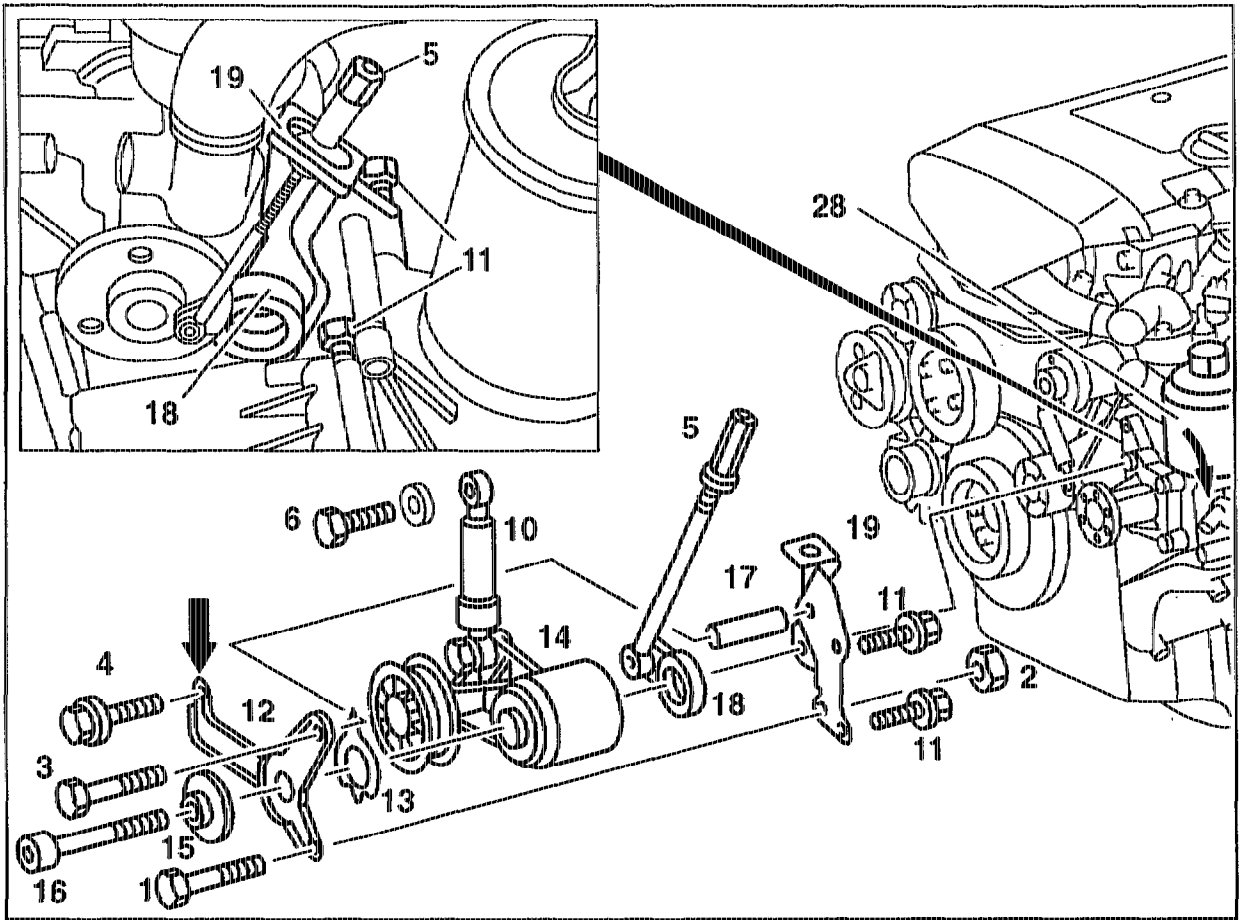
Operation no. of operation texts and work units or standard texts
 and flat rates:
 13-1202, 13-4001

1st version with external damper



P13-5103-57

Bolts (23) and (25) of belt pulleys of coolant pump (24) and power steering pump (26)	slacken, tighten (32 Nm).
Engine 104.98:	slacken bolts of belt pulley of fan, tighten (15 Nm).
Poly V-belt (27)	remove, install (13-1200).
Belt pulleys of coolant pump (24) and power steering pump	remove, install. Power steering pump (46-710).
Engine 104.98:	remove belt pulley of fan with washer, install.



P13-5104-57

- | | | | |
|---|---|----|--------------------------|
| 1 | M8 × 90 hexagon bolt | 6 | M8 × 35 bolt with washer |
| 3 | M8 × 100 hexagon bolt | 16 | M12 × 120 bolt |
| 4 | Except engine 104.98: M8 × 65 bolt + washer
Engine 104.98: M8 × 67 fit collar bolt | | |

Damper (10) of tensioning device at front cover . . .	unbolt, bolt on (21 Nm).
Bolt (16)	unscrew, screw on (21 Nm).
Bolts (1), (3) and (4)	unscrew, screw on (21 Nm).

Note

Counter-hold at nut (2) with wrench.
remove, install.

Note re engine 104.98

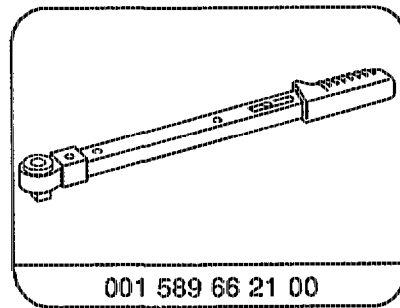
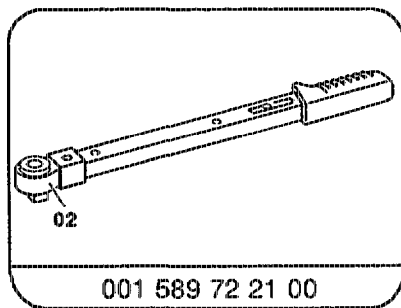
Apply sealing compound 001 589 29 20 to the front and rear sides of the mounting hole (arrow) of the strut (12).

Setting pointer (13), tensioning device (14) and sleeve (17)	remove, install.
Bolts (11)	unscrew, screw on (21 Nm).
Power steering pump (28)	swivel to outside.
Bracket (19) with tensioning nut (5) and tensioning bolt (18)	remove, install.

Tightening torques in Nm

Bolts of belt pulleys of fan clutch	15
Bolts of belt pulley of coolant pump and power steering pump	32
Bolt of tensioning device	75
Bolts of strut and bracket	21

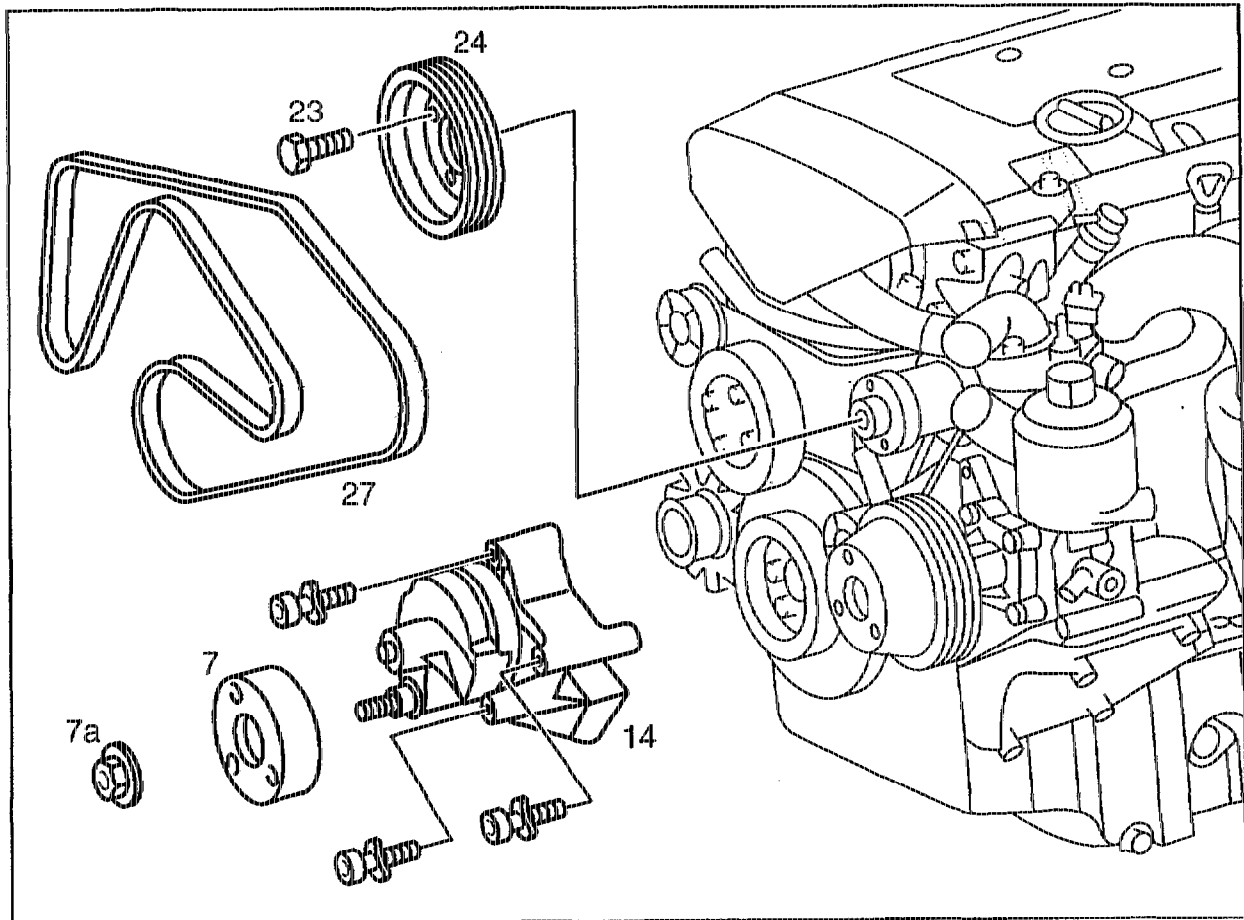
Special tools



Preceding work:
 Fan shroud removed (20-3400)
 Viscous fan clutch removed (20-3120).

Operation no. of operation texts and work units or standard texts
 and flat rates:
 13-1202, 13-4001

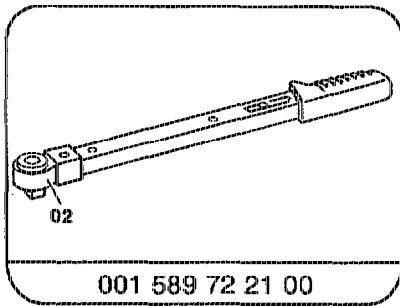
2nd version with internal damper



P13.25-0200-57

Bolts (23) of belt pulley of coolant pump (24) . . .	slacken, tighten (32 Nm).
Poly V-belt (27)	remove, install (13-1200).
Belt pulley of coolant pump (24)	unbolt, bolt on.
Belt pulley of tensioning device (7)	unbolt, bolt on (45 Nm).
Tensioning device (14)	unbolt, bolt on (25 Nm).

Special tools



Tightening torques in Nm

Nut of belt pulley of tensioning device	45
Bolts of tensioning device	25