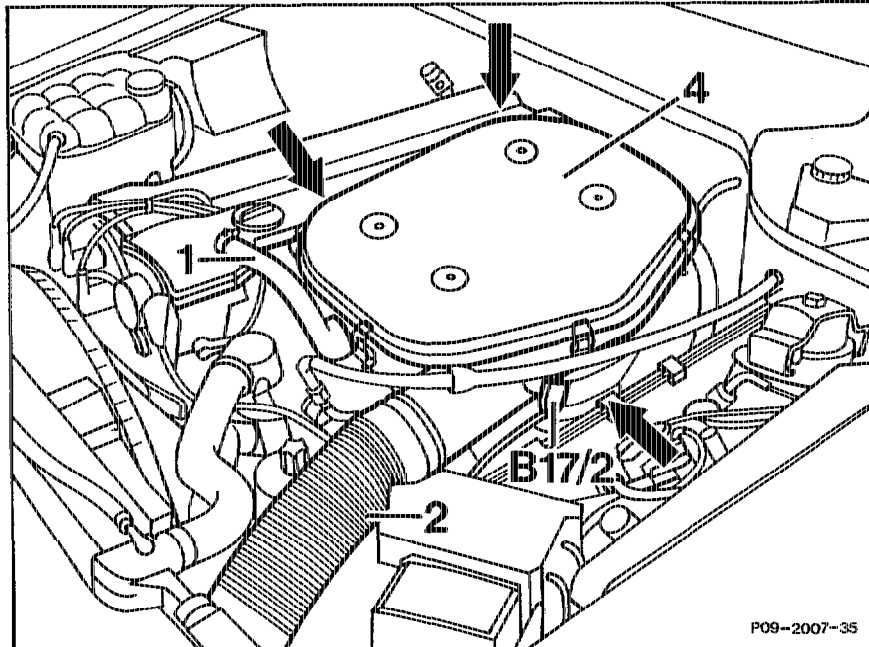


09-0015 Removing and installing air cleaner

Operation No. of operation texts and work units or standard texts
and flat rates:
09-0015



Electrical connector at intake air temperature sensor (B17/2)	disconnect, connect.
Air intake hose (2)	at air cleaner, detach, fit on.
Nuts (arrows)	unscrew, screw on.
Shaped hose (1)	for crankcase ventilation, disconnect, connect.
Air cleaner (4)	take off, fit on.

Note

When installing, ensure rubber seal (7) between air cleaner (4) and mixture control unit is in good condition and properly seated.
Replace rubber seal (7), if necessary.

