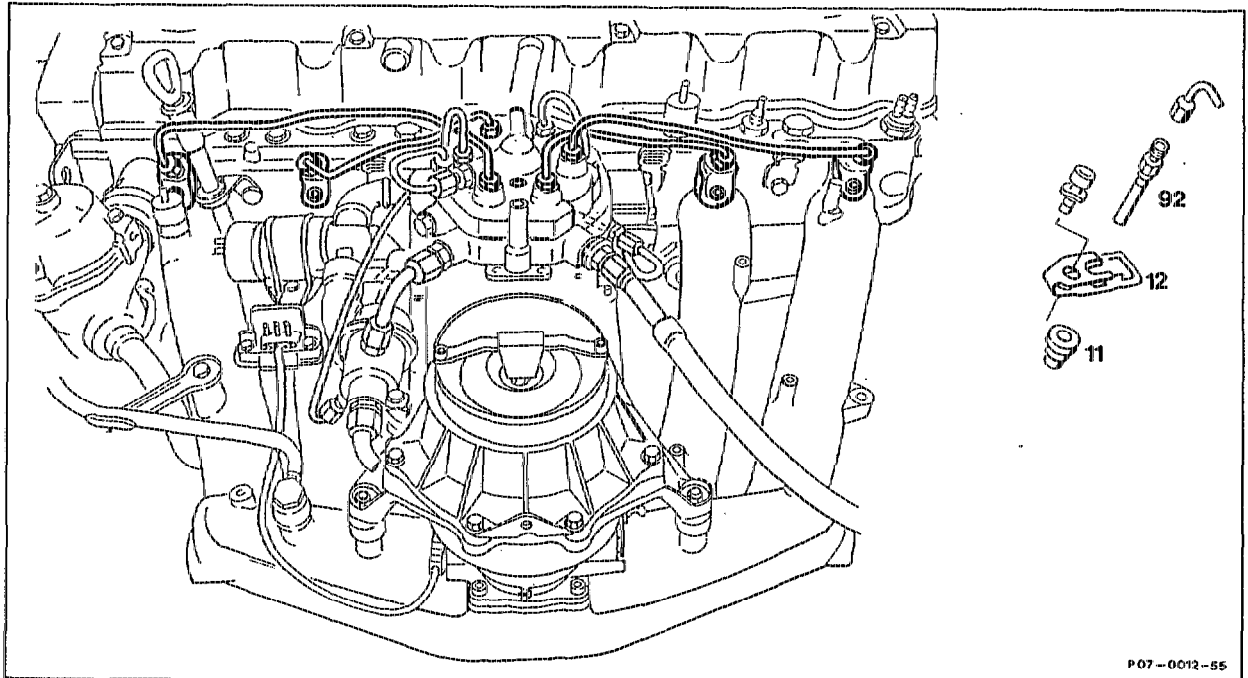


## 07.3-6520 Removing and installing injection valves

Operation No. of operation texts and work units or standard texts  
and flat rates:  
07-6520



Injection lines	remove, install, holding injection valves tight. Clean connection points. Tightening torque 10 – 15 Nm as approx. value.
Bracket (12)	unscrew, screw on.
Injection valves (92)	remove, insert.
Rubber seal (11)	replace.