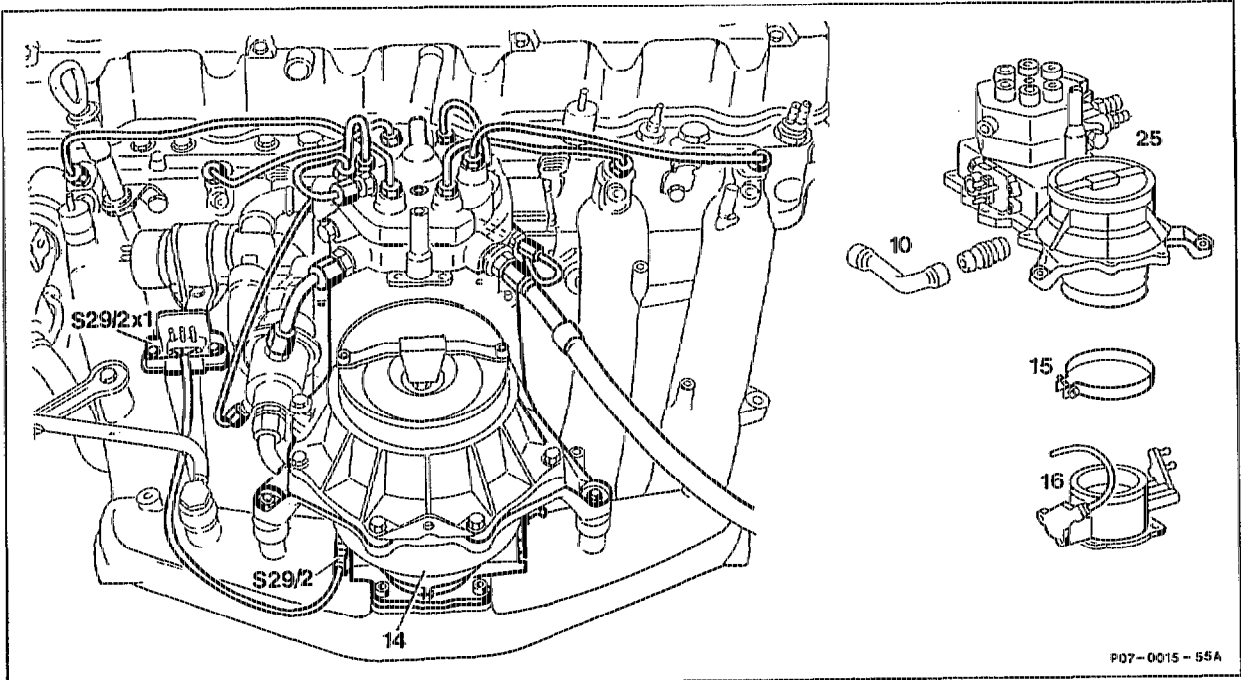


07.3-6210 Removing and installing throttle valve housing

Preceding work:
Removing and installing mixture control unit (07.3-1668)

Operation No. of operation texts and work units or standard texts
and flat rates:
07-6210



Control rods and return spring on throttle valve housing (16)	detach, attach.
Extraction line for fuel evaporation control unit	disconnect, connect.
Plug connection (S29/2x1) of throttle valve switch	at intake manifold, disconnect, connect.
Throttle valve housing(16)	remove, install. Replace gasket. Tightening torque 25-30 Nm as reference value.

Notes

Throttle valve bodies which have to be replaced after a clear diagnosis, should be replaced in future only in conjunction with the throttle valve switch.

Since August 1989 an improved throttle valve switch has been installed (see 07.3-1689).

Throttle control	check, adjust if necessary (30-1010).
Idle speed	check, adjust if necessary (see Diagnosis Manual Engine, Volume 1).