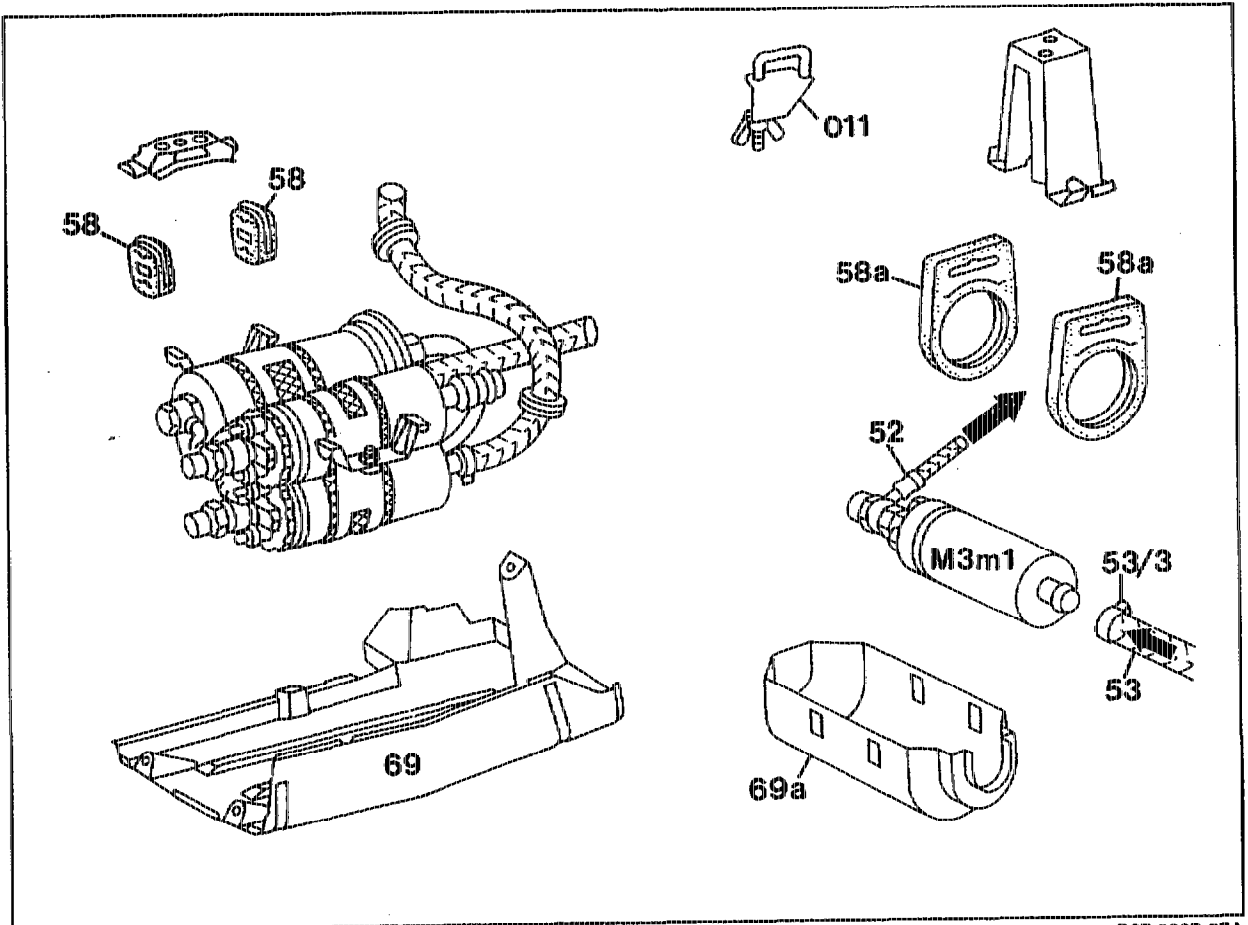


07.3-5860 Removing and installing rubber pads for fuel pump set

Operation No. of operation texts and work units or standard texts and flat rates:
07-5860



P07-5637-57A

Illustrated on model 124 Sedan

Model 124 T-model

Model 124 Sedan/Coupé/Convertible, model 129

Protective box (69)	unbolt, bolt on (installation position of fuel pump, see 07.3-5713).
Rubber pads (58) from tabs	detach, examine, replace if necessary, attach.

Model 124 T-model

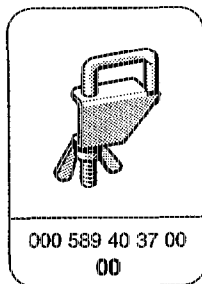


Pay attention to safety precautions!

Pressure in fuel tank	release by opening fuel filler cap, closing.
-----------------------------	--

Cover (69a)	detach, attach (installation position of fuel pump, see Note).
Fuel hose at delivery end (52) and fuel hose at suction end (53)	pinch off with clamp (011), take off (pay attention to Note). Special tool 000 589 40 37 00.
Fuel hose at suction end (53)	detach, fit on. To do this, slacken hose clip (53/3), tighten.
Rubber pads (58a) from tabs	detach, attach. Detach rubber pad (58a) from fuel pump 1 (M3m1), examine, replace if necessary, fit on.
Leaktightness of all connection points	check with engine running.

Special tool



Note

Model 124 T-model

Fuel pump 1 (M3m1) is located between rear axle and fuel tank.

Do not pinch off fuel hose at suction end at the bend (arrow).

