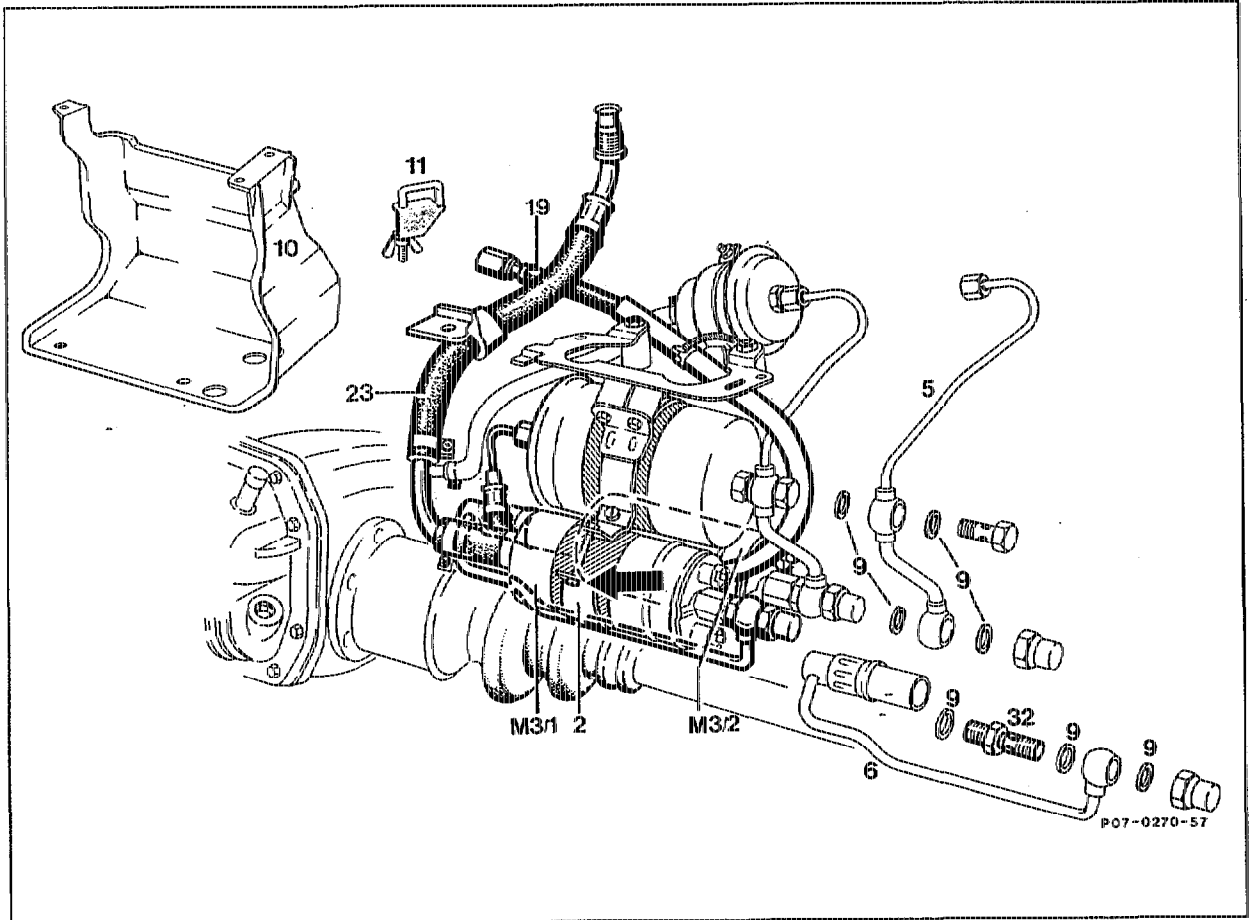


07.3-5820 Replacing check valve for fuel pump

Operation No. of operation texts and work units or standard texts
and flat rates:
07-5820



Pay attention to safety instructions!

Overpressure in fuel tank	release by opening pressure cap and closing.
Ground cable at battery	disconnect, connect.
Protective box (10)	detach, attach.
Fuel suction hose (23) and fuel pressure hose (19)	pinch with clamp (11) 000 589 40 37 00, release clamp (pay attention to note for model 124 T-model see 07.3-5713).

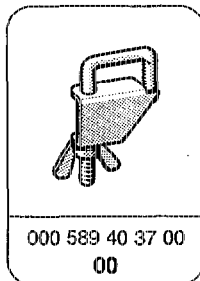
A. Replacing check valve on fuel pump (M3/1)

Screw (arrow)	at bracket (2) for fuel pump, slacken.
Fuel line (6)	unscrew, screw on.
Cap nut	unscrew, screw on.
Fuel pump (M3/1)	push to the left.
Check valve (32)	remove, install.
	Tightening torque 22 Nm as a reference value.
Seals (9)	replace.
Leak test of all connection points	check with engine running.

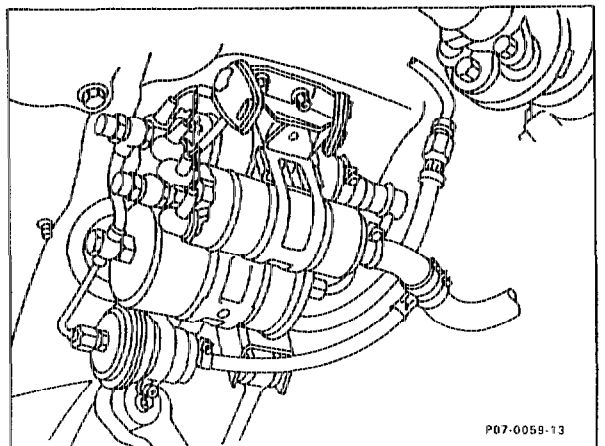
B. Replacing check valve on fuel pump (M3/2)

Fuel line (5)	unscrew, screw on.
Cap nut	unscrew, screw on.
Check valve (32)	remove, install.
	Tightening torque 22 Nm as reference value.
Seals (9)	replace.
Leak test of all connection points	check with engine running.

Special tool



The fuel pump set is arranged on the right in front of the rear axle on the frame floor, viewed in direction of travel.



P07-0059-13