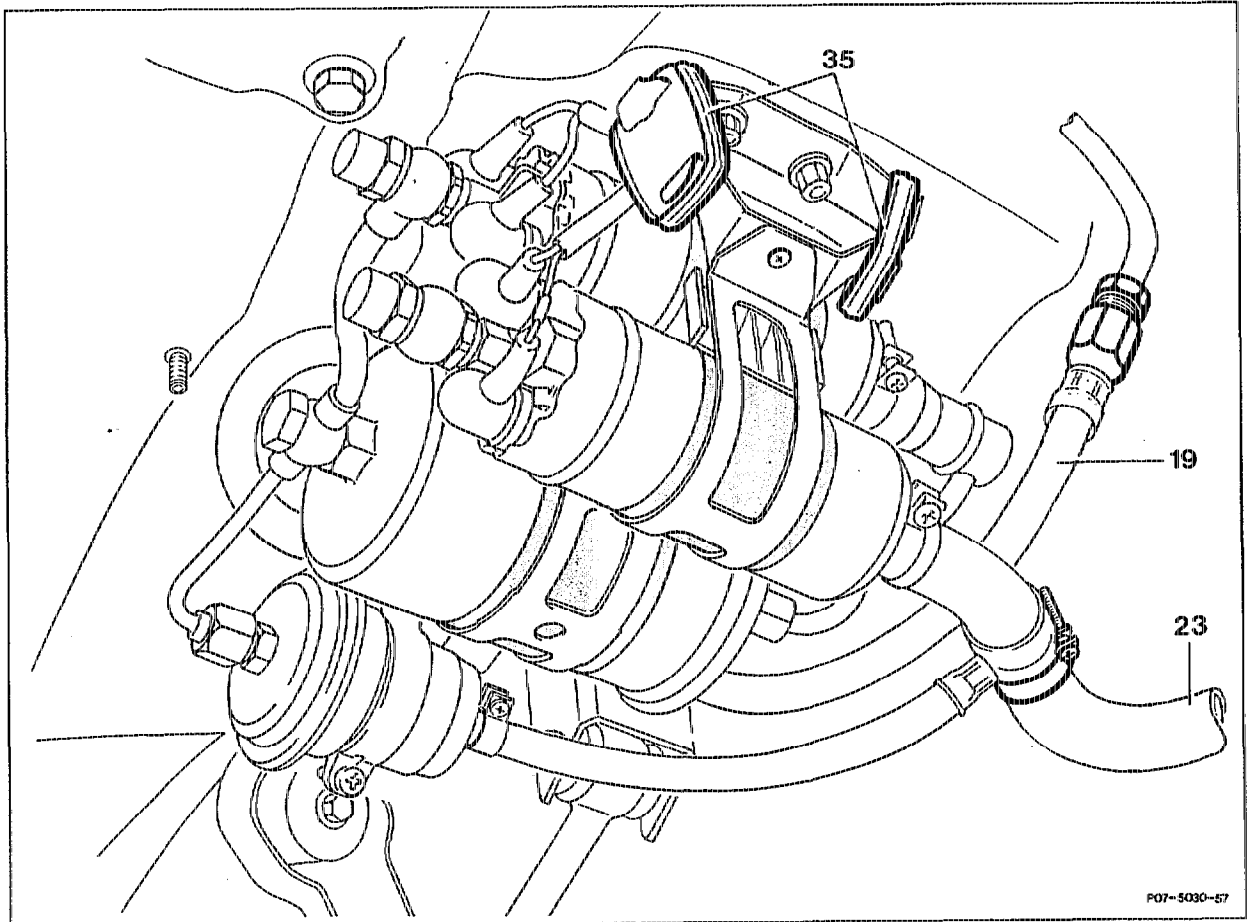


07.3-5770 Removing and installing fuel pump set

Operation No. of operation texts and work units or standard texts
and flat rates:
07-5770



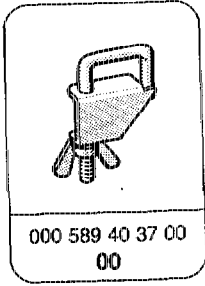
P07-5030-57



Pay attention to safety instructions!

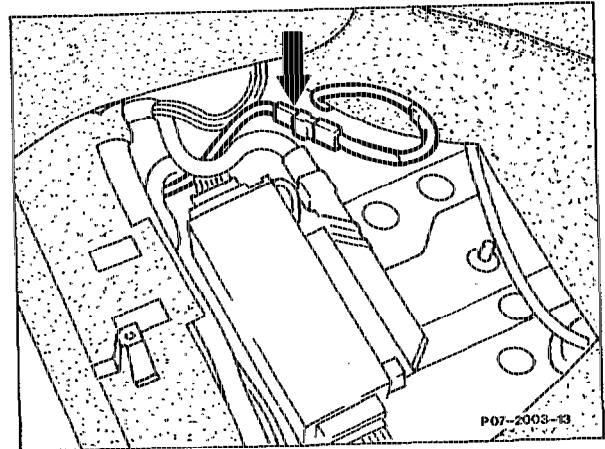
Overpressure in fuel tank	release by opening pressure cap and closing.
Ground cable at battery	disconnect, connect.
Protective box	remove, install.
Electric wiring at fuel pumps	disconnect, connect.
Fuel suction hose (23) and fuel pressure hose (19)	pinch with clamp 000 589 40 37 00, detach, attach, slacken clamp.
Rubber pads (35)	detach, attach.
Leak test of all connection points	check with engine running.

Special tool



Note

Arrangement of cable connection (arrow) for electric wiring of fuel pumps below rear bench seat on right.



Model 129

The fuel pump is arranged on the right in front of the rear axle on the frame floor, viewed in direction of travel.

