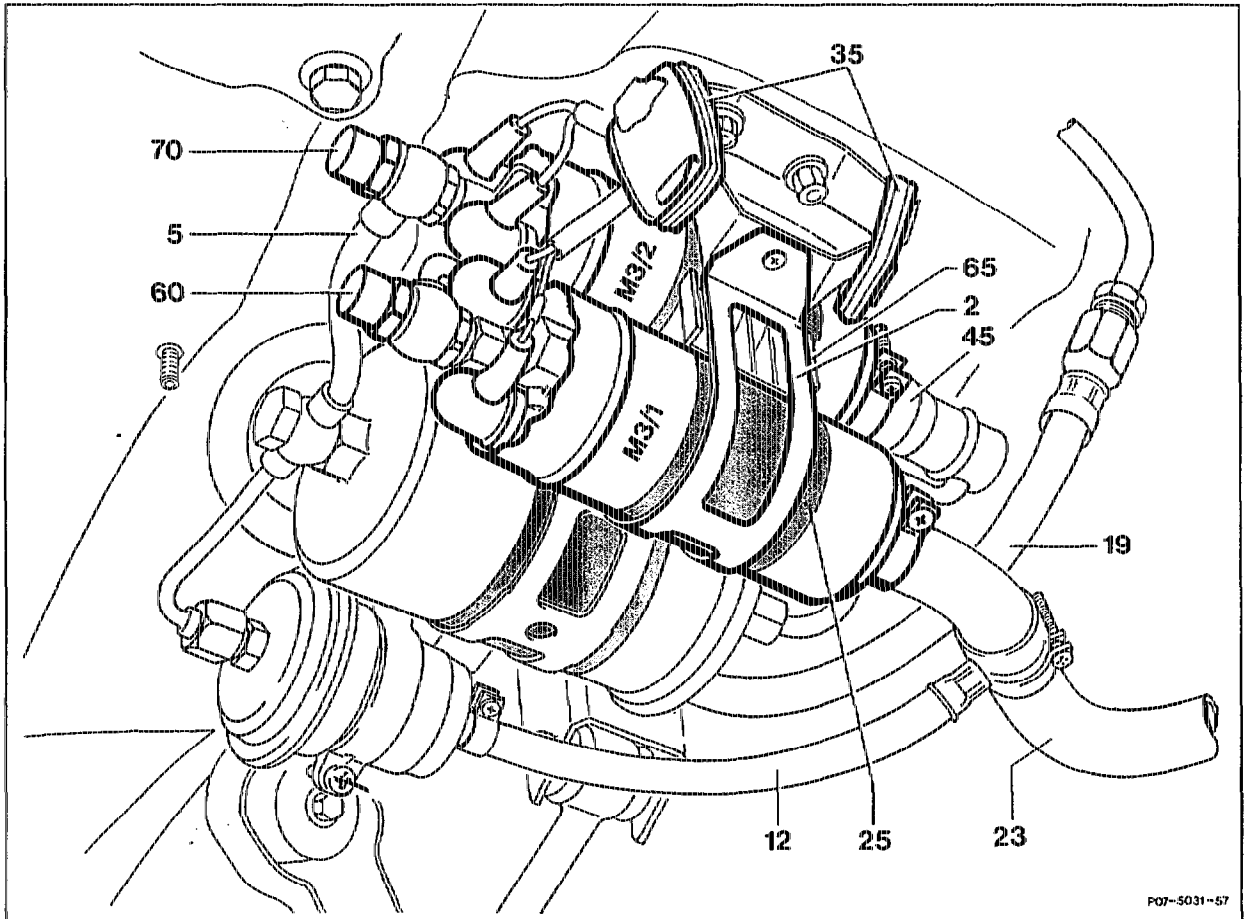


07.3-5713 Removing and installing fuel pumps

Operation No. of operation texts and work units or standard texts and flat rates:
07-5713, 07-5714.



A. Removing and installing fuel pump (M3/1)



Pay attention to safety instructions!

Overpressure in fuel tank	release by opening pressure cap, closing.
Ground cable at battery	disconnect, connect.
Protective box	remove, install.
Fuel suction hose (23) and fuel pressure hose (19)	pinch with clamp 000 589 40 37 00, release clamp (pay attention to note for model 124 T-model).

Fuel suction hose (23)	disconnect, connect.
Union nut (60)	unscrew, screw on.
Seals	replace.
Electric wiring of fuel pump (M3/1)	disconnect, connect by pulling off and fitting on protective caps.

Model 124 T-model

Rubber pads from straps	detach, attach.
Rubber pad at fuel pump	pull off, examine, replace if necessary, push on.

Model 124 except T-model, model 129

Tensioning strap (2)	open, close.
Fuel pump (M3/1)	remove, insert with plastic foil (25). Pay attention to intermediate spacer (65). Check plastic foil (25), replace if necessary.



Always install plastic foil (25) between fuel pump (M3/1) and tensioning strap (2). The plastic foil of the fuel pumps (M3/1, M3/2) must project on both sides of the tensioning strap. Direct contact of a fuel pump with the tensioning strap results in contact corrosion.

All models

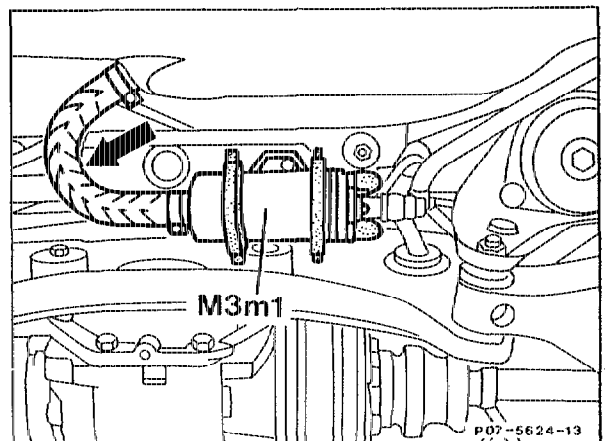
Leaktightness of all connection points	check with engine running.
--	----------------------------

Notes

Model 124 T-model

Do not pinch fuel suction hose at bend (arrow).

Fuel pump 1 (M3m1) is located between fuel tank and rear axle.



B. Removing and installing fuel pump (M3/2)

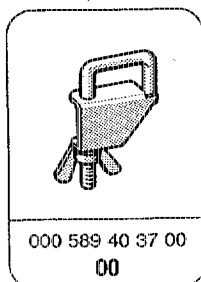
Fuel pump (M3/1) must be removed beforehand in order to remove fuel pump (M3/1) (not for model 124 T-model).

Fuel pump set	lower on fuel pump side by detaching the two rubber rings (35).
Union nut (70)	unscrew, screw on.
Seals	replace.
Electric wiring of fuel pump (M3/2)	disconnect, connect by pulling off and fitting on protective caps.
Intermediate piece (65)	remove, install.
Fuel pump (M3/2)	remove, insert with plastic foil (25). Pay attention to intermediate spacer (65). Check plastic foil (25), replace if necessary.
Leak test of all connection points	check with engine running.



Always install plastic foil (25) between fuel pump (M3/2) and tensioning strap (2). The plastic foils of the fuel pumps (M3/1, M3/2) must project on both sides of the tensioning strap. Direct contact between a fuel pump and the tensioning strap results in contact corrosion.

Special tool



The fuel pump set is arranged on the right in front of the rear axle on the frame floor, viewed in direction of travel.

