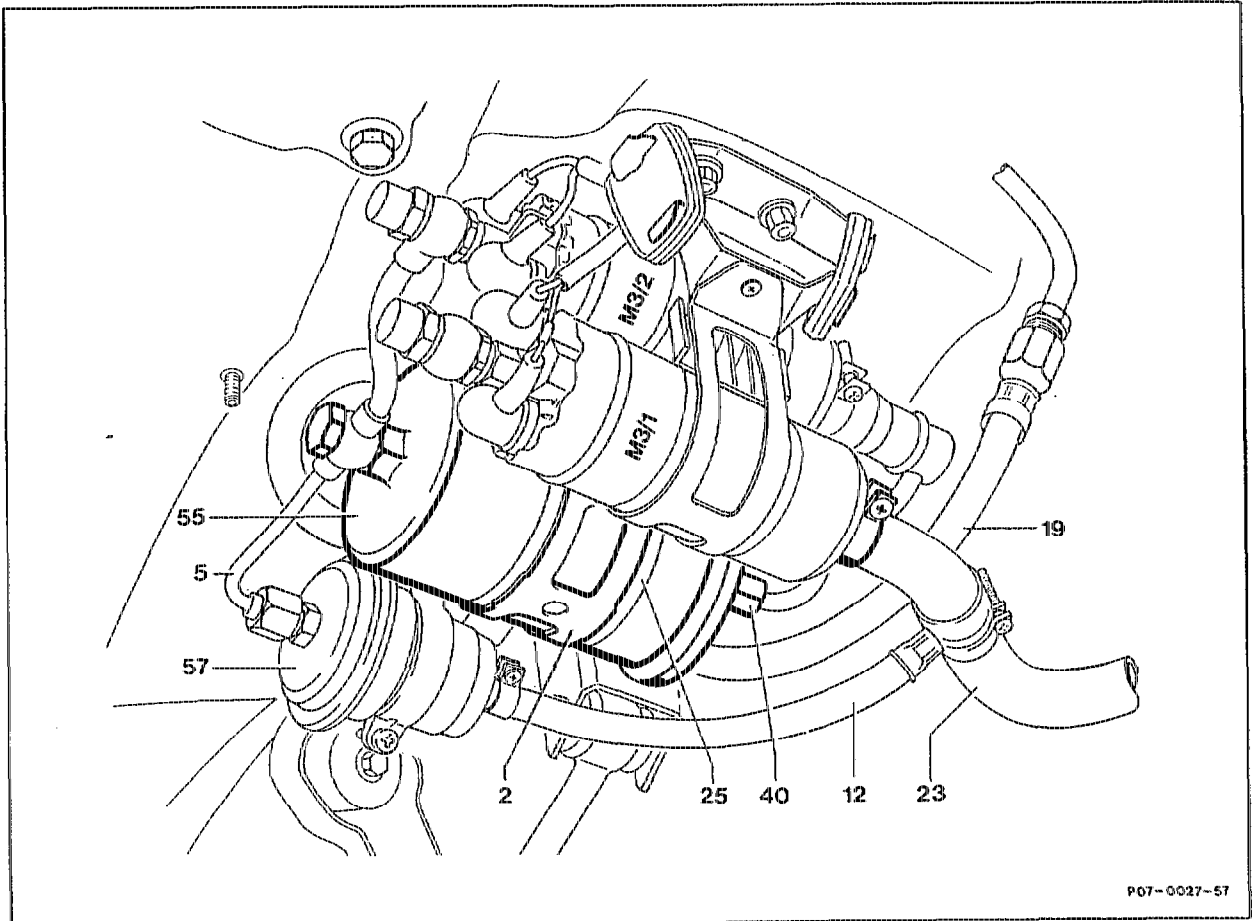


## 07.3-5563 Removing and installing fuel filter

Operation No. of operation texts and work units or standard texts  
and flat rates:  
07-5563



P07-0027-57



Pay attention to safety instructions!

Overpressure in fuel tank .....	release by opening pressure cap, closing.
Ground cable at battery .....	disconnect, connect.
Protective box .....	remove, install.
Fuel suction hose (23) and fuel pressure hose (19) .....	pinch with clamp 000 589 40 37 00, release clamp.
Fuel line (5) .....	disconnect at fuel filter (55), fuel accumulator (57) and fuel pump (M3/2), connect.

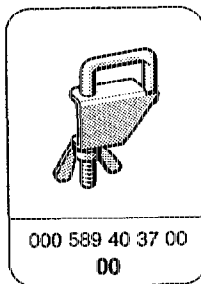
Union nut (40) .....	unscrew, screw on.
Seals .....	replace.
Screws for tensioning strap (2) .....	slacken, tighten.
Fuel filter (55) .....	remove, insert with plastic foil (25). Check plastic foil (25), replace if necessary.

Leak test of all connection points ..... check with engine running.

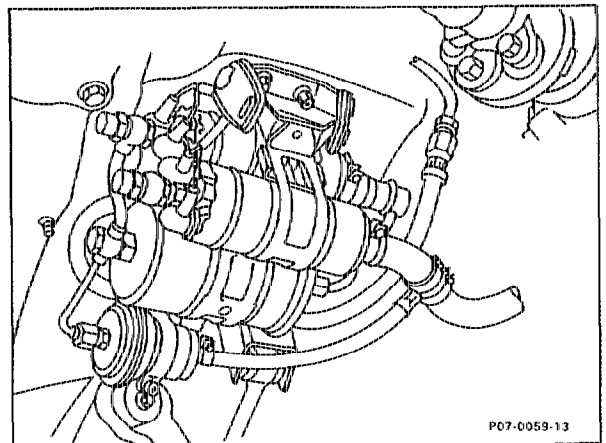


Always install plastic foil (25) between fuel filter (55) and tensioning strap (2). The plastic foil of the fuel filter (55) must project on both sides of the bracket. Direct contact of the fuel filter with the bracket results in contact corrosion.

### Special tool



The fuel pump set is arranged on the right in front of the rear axle on the frame floor, viewed in the direction of travel.



P07-0059-13