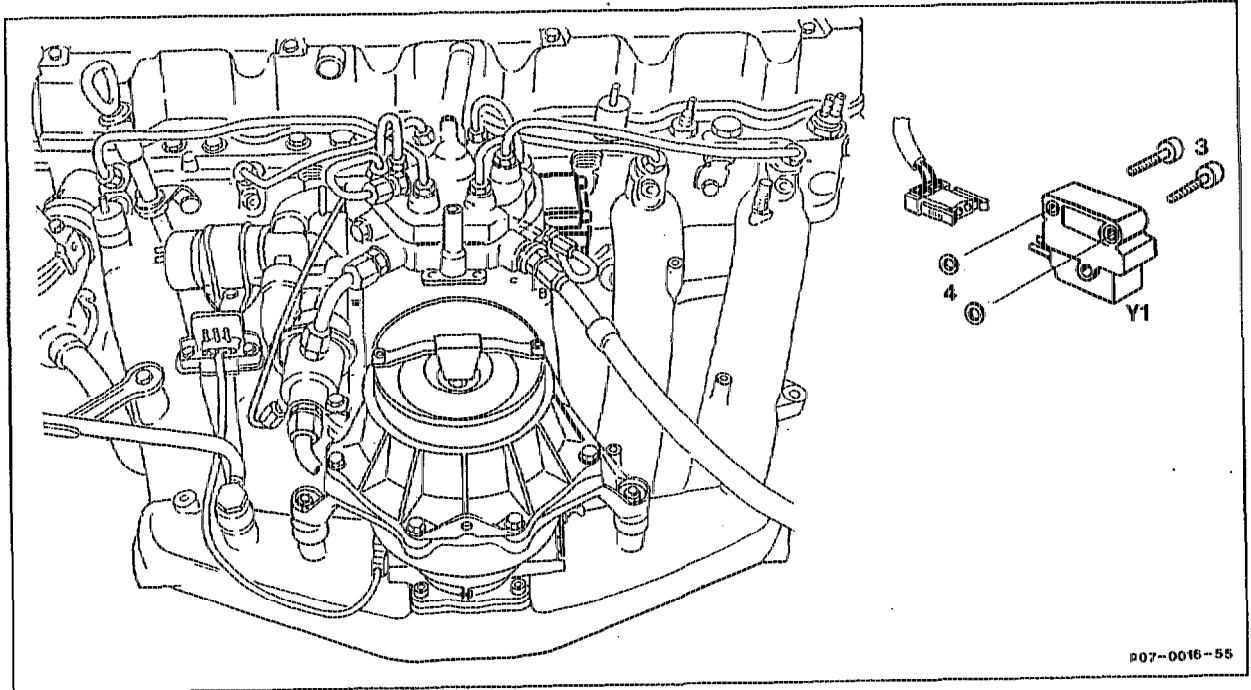


07.3-1692 Replacing electrohydraulic actuator

Operation No. of operation texts and work units or standard texts
and flat rates:
07-1692



Plug connection of electrohydraulic actuator (Y1)	disconnect, connect.
Fuel pressure	release by detaching fuel line between fuel distributor and starting valve. Collect fuel flowing out.
Screws (3)	unscrew, screw in. Tightening torque 3 Nm as reference value.
O-rings (4)	replace. Clean sealing surfaces, if necessary, with cleaning petroleum and fluff-free cloth.
Electrohydraulic actuator (Y1)	remove, install.

Leak test of all connections	check with engine running.
Idle speed	set (see Diagnosis Manual Engine, Volume 1).
CIS-E control unit fault memory	read out, erase if necessary (see Diagnosis Manual Engine, Volume 2, Index 0).

Note

Stored faults which may originate from test work resulting from cables being disconnected or from a simulation, must be erased in the fault memory after completing the work.

Commercially available tool

Designation	e. g. Make, Order No.
Screwdriver 2115-T 27	Hazet, D-5630 Remscheid