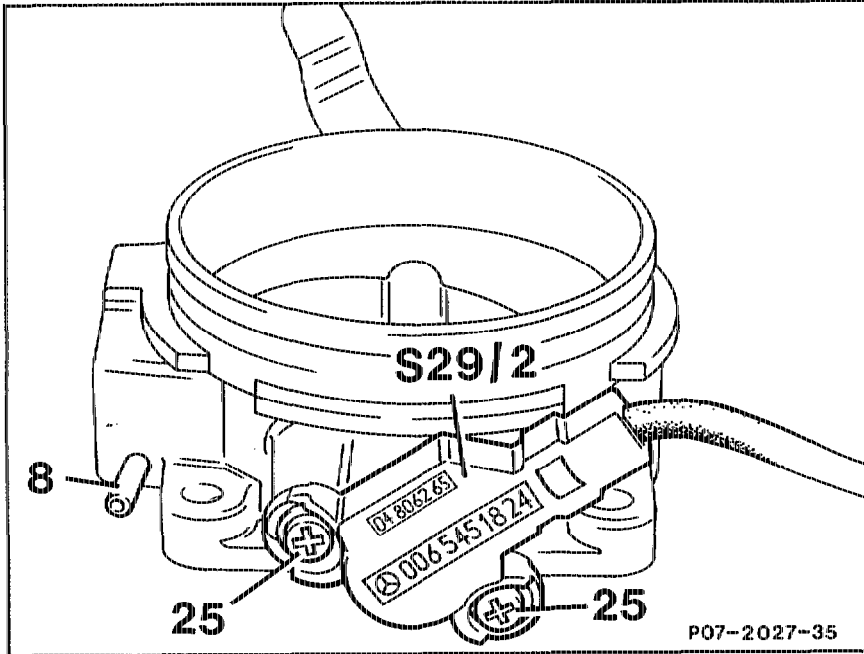


07.3-1689 Removing and installing throttle valve switch

Preceding work:
 Removing and installing mixture control unit (07.3-1668)
 Removing and installing throttle valve body (07.3-6210)

Operation No. of operation texts and work units or standard texts
 and flat rates:
 07-1689



Screws (25)	unscrew, screw in.
Throttle valve switch (S29/2)	take off, fit on.

Note

Since August 1989 an improved throttle valve switch has been installed.

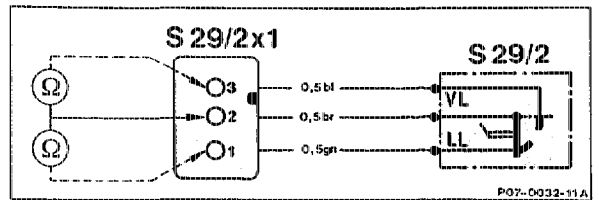
Throttle valve switch setting	check, adjust if necessary.
-------------------------------------	-----------------------------

CIS-E control unit fault memory	read out, erase if necessary (see Diagnosis Manual Engine, Volume 2, Index 0).
---------------------------------------	--

Note

Stored faults which may originate from test work resulting from cables being disconnected or from a simulation, must be erased in the fault memory after completing the work.

S29/2 Full load/idle speed detection
throttle valve switch
S29/2x1 Plug connection



a) Testing idle speed contact

Press throttle valve lever to idle speed stop. Test resistance between contact 1 and contact 2 of plug connection (S29/2x1); adjust if necessary.

Specification: < 1 Ω.

Move throttle valve lever approx. 0.2 mm.

Specification: ∞ Ω.

b) Testing full throttle contact

Press throttle valve lever to full throttle stop.

Test resistance between contact 2 and contact 3 of plug connection (S29/2x1).

Specification: < 1 Ω

Ease throttle valve lever back slightly.

Specification: ∞ Ω.

Note

At part load, the readout must be at ∞ Ω.

Setting throttle valve switch

Slacken screws (25), turn throttle valve switch and re-tighten screws (25).

Production breakpoint of improved throttle valve switch: August 1989

Model	Engine	Engine End No. manual transmission	Engine End No. automatic transmission
124.031 124.051 124.091	104.980	000180	000501
129.061	104.981	000078	000484