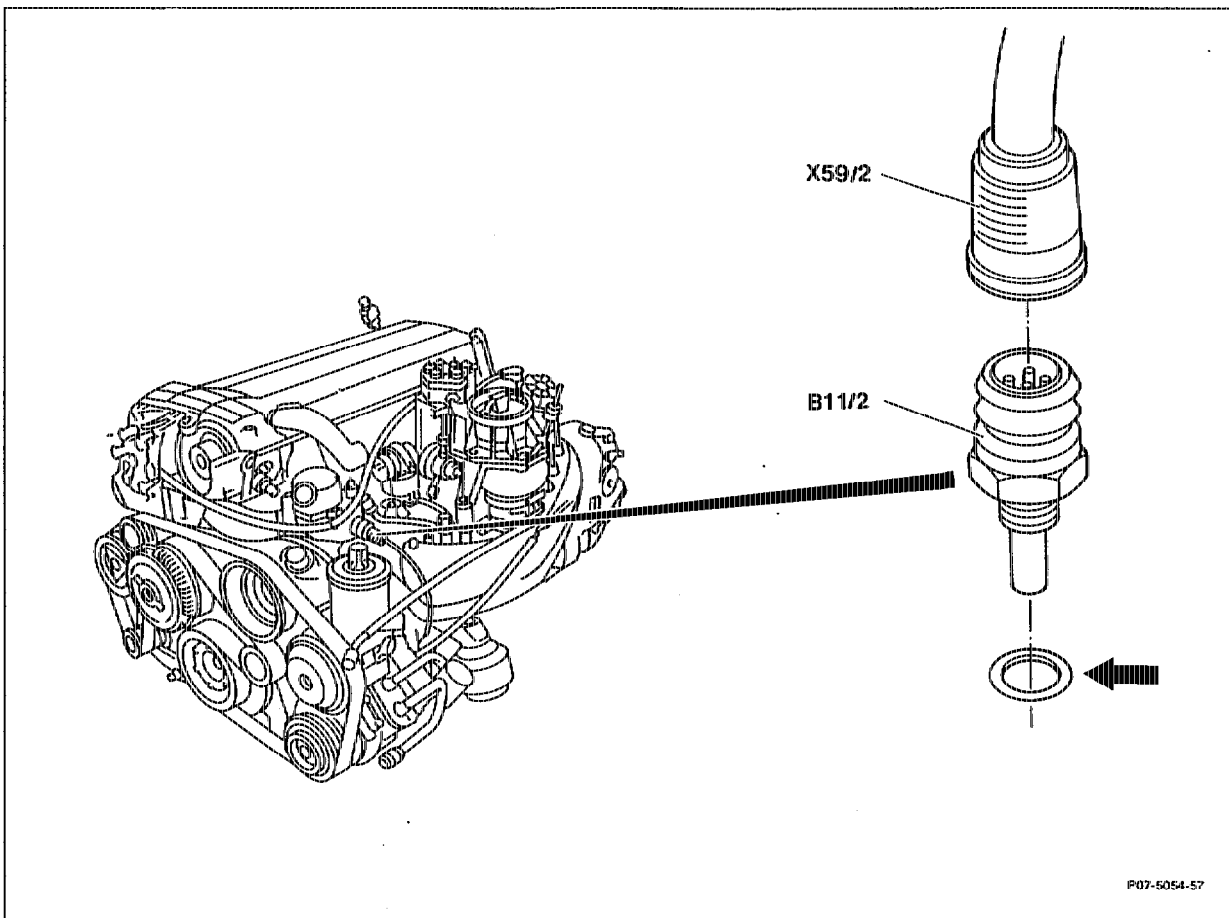


07.3-1687 Removing and installing coolant temperature sensor

Operation No. of operation texts and work units or standard texts
and flat rates:
07-1687



Pressure in coolant circuit	release by opening cap of coolant expansion tank, close.
Plug connection of coolant temperature sensor (X59/2)	pull off, plug in.
Coolant temperature sensor (B11/2)	unscrew, screw in.
Seal (arrow)	replace.
Coolant level	check, top up if necessary.

CIS-E control unit fault memory read out, erase if necessary (see Diagnosis Manual Engine, Volume 2, Index 0).

Note

Stored faults which may originate from test work resulting from cables being disconnected or from a simulation, must be erased in the fault memory after completing the work.