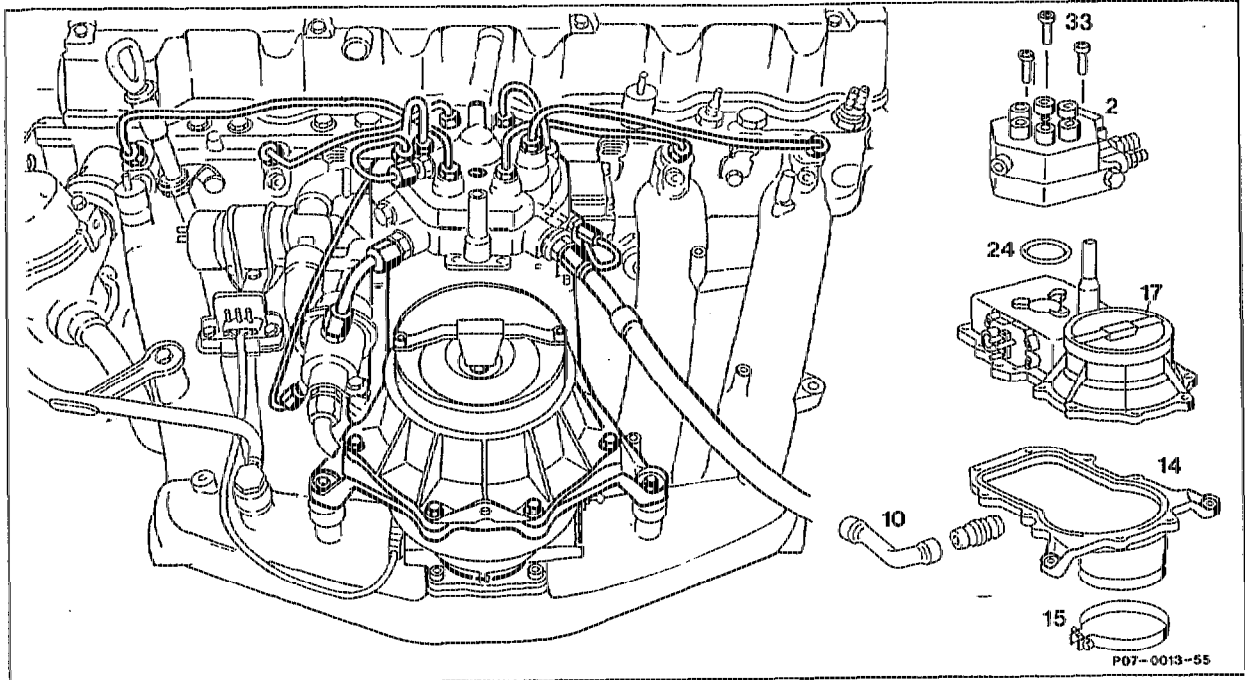


## 07.3-1686 Removing and installing air flow sensor

Preceding work:  
Removing and installing mixture control unit (07.3-1668)

Operation No. of operation texts and work units or standard texts  
and flat rates:  
07-1686



- |                            |  |
|----------------------------|--|
| Fuel distributor (2) ..... | unscrew from air flow sensor (17), screw on (see 07.3-1674). Replace seal. |
| Idle speed .....           | set (see Diagnosis Manual Engine, Volume 1).                               |