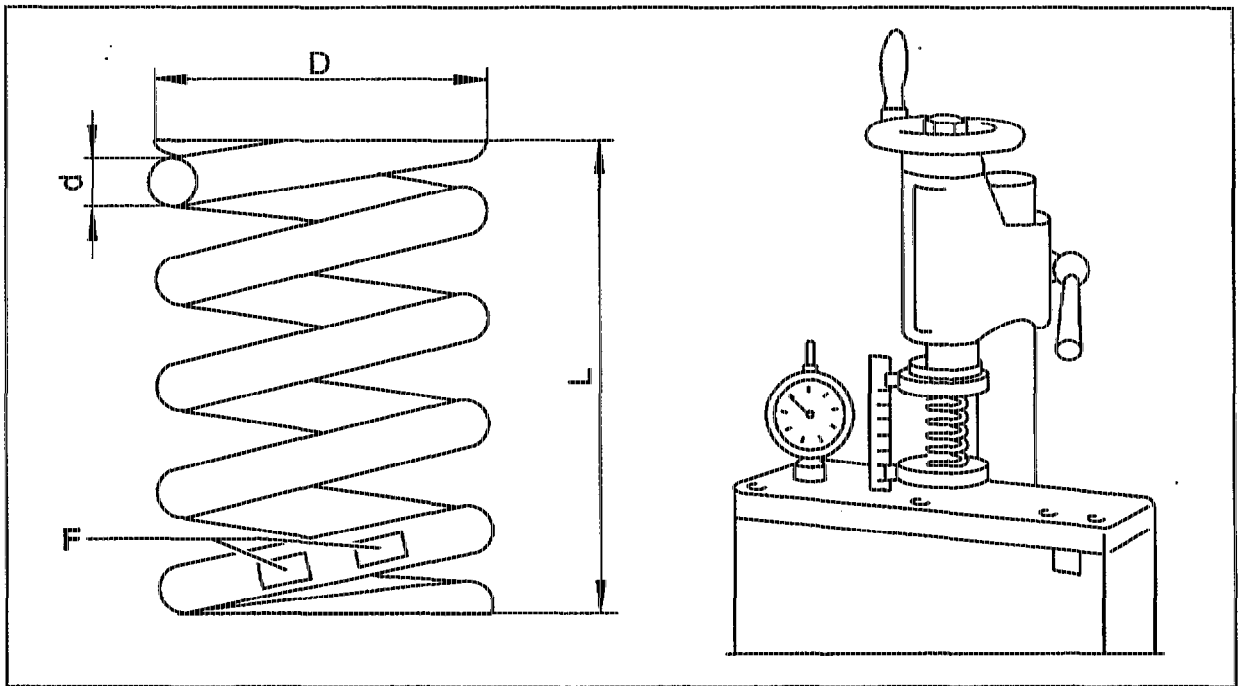


05-2600 Examining valve springs

Preceding work:
Valve springs removed (05-2500)

Operation no. of operation texts and work units or standard texts
and flat rates



P05-5506-55

Valve springs

clean.

Color coding (F) on valve springs

⚠
Replace valve springs which are not to dimensional tolerance, which are corroded, have surface rust, mechanical damage or are worn at the ends.

Spring force when pretensioned

check, match up, see table.

measure.

If the valve springs do not reach the specified spring force, they cause a loss of positive contact at high speeds and must be replaced.

Data

	Valve spring part no. ¹⁾	Color coding (F)	Outer Ø (D) mm	Wire Ø (d) mm	Length un- tensioned (L) mm	Length L1 and L2 pre- tensioned spring force in N			
						L1	N	L2	N
Outer spring	104 053 03 20	yellow- silvergrey or purple- silvergrey	29.8	4.0	46.8	36.9	285 ± 14	27.5	665 ± 33
Outer spring	104 053 05 20	yellow blue-yellow or purple blue-yellow							
Inner spring	104 053 01 22	purple- silvergrey or yellow- silvergrey	20.5	2.5	47.6	33.9	125 ± 7	24.5	258 ± 13
Conical spring ²⁾	111 053 00 20	purple-yellow or yellow-yellow	23.4 29.3	3.7	47.3	36.7	290 ± 15	27.3	600 ± 30

1) Not AMG engines

2) As of 11/93