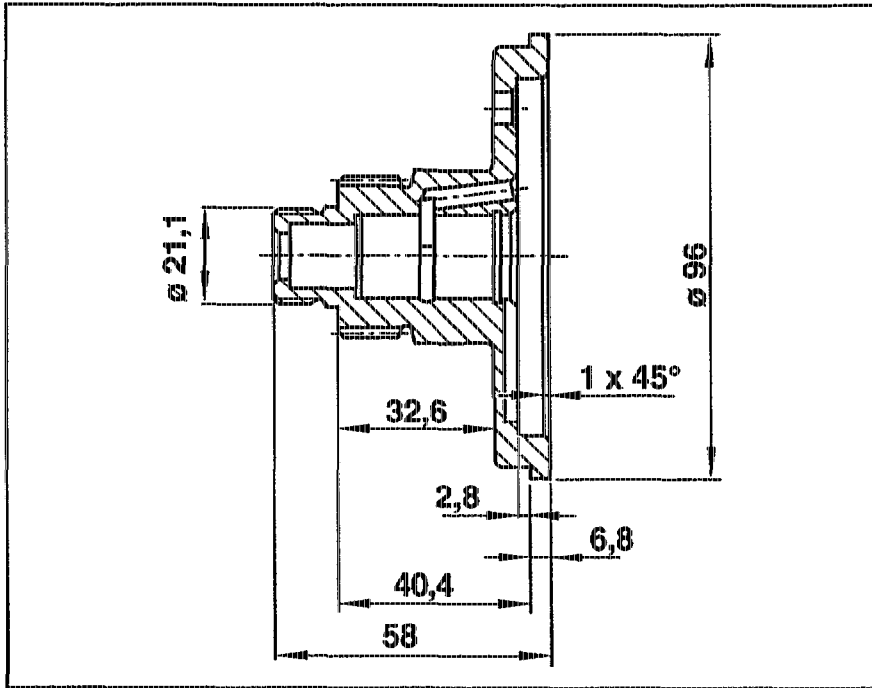
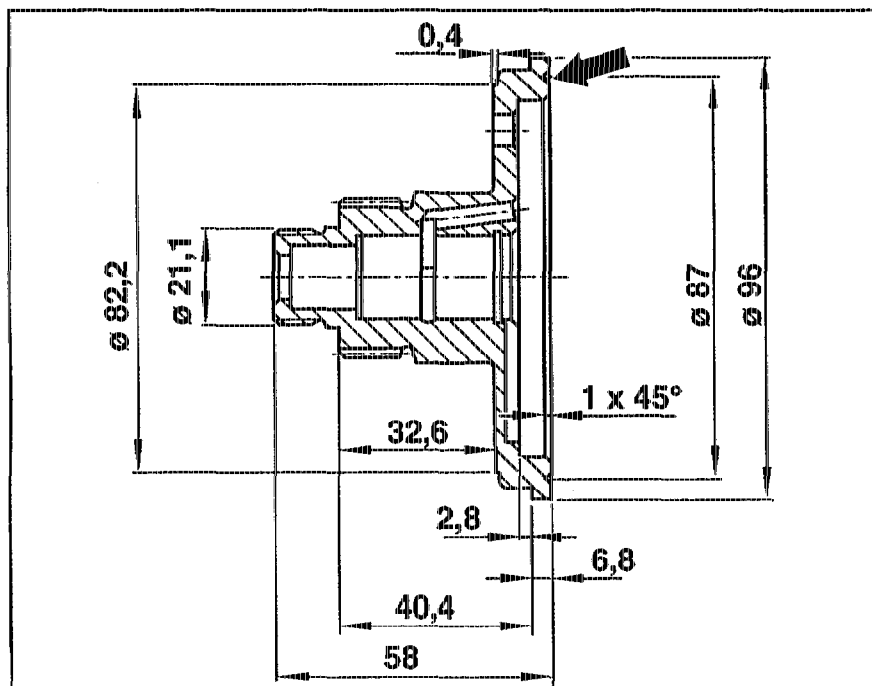


Flange shaft



P05.20-0251-35

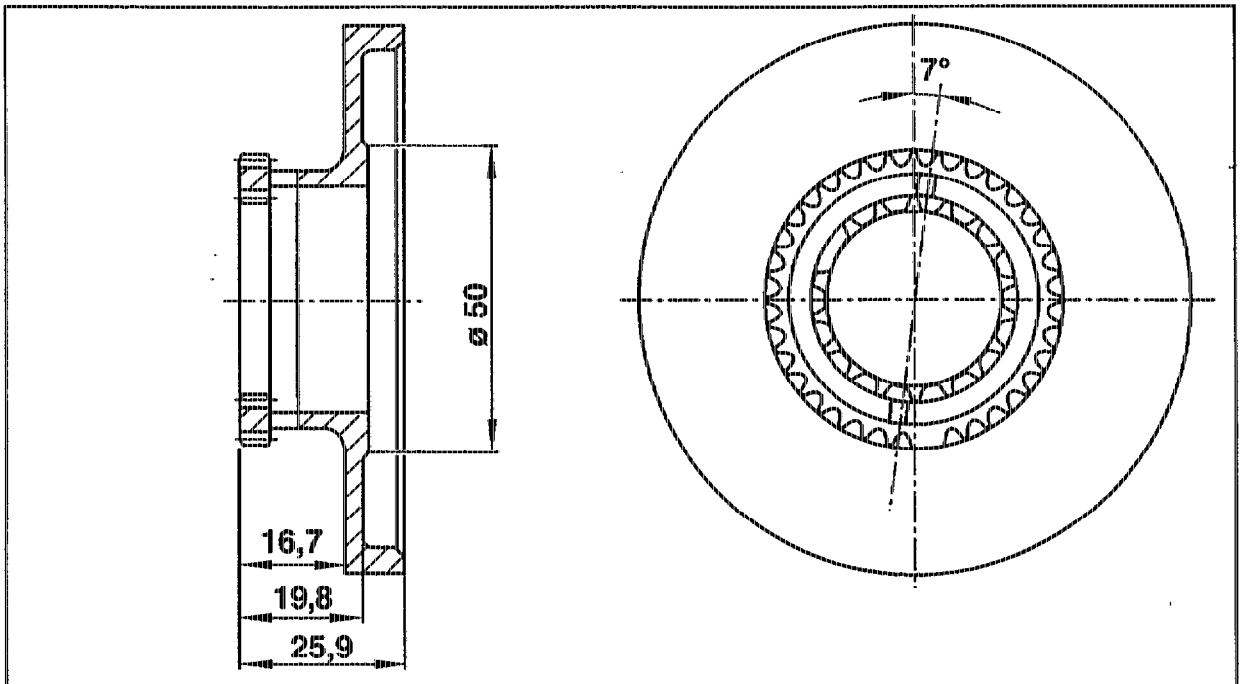
Flange shaft 104 051 03 84



P05.20-0252-35

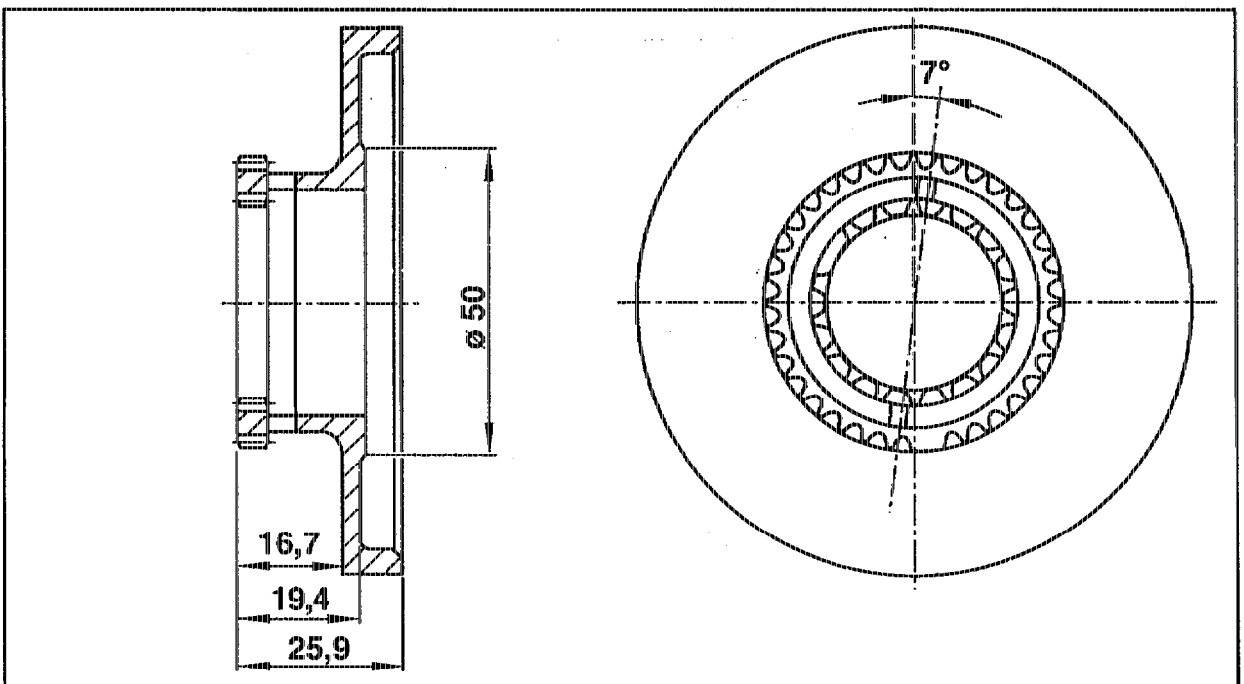
Flange shaft 104 051 04 84

Positioning piston



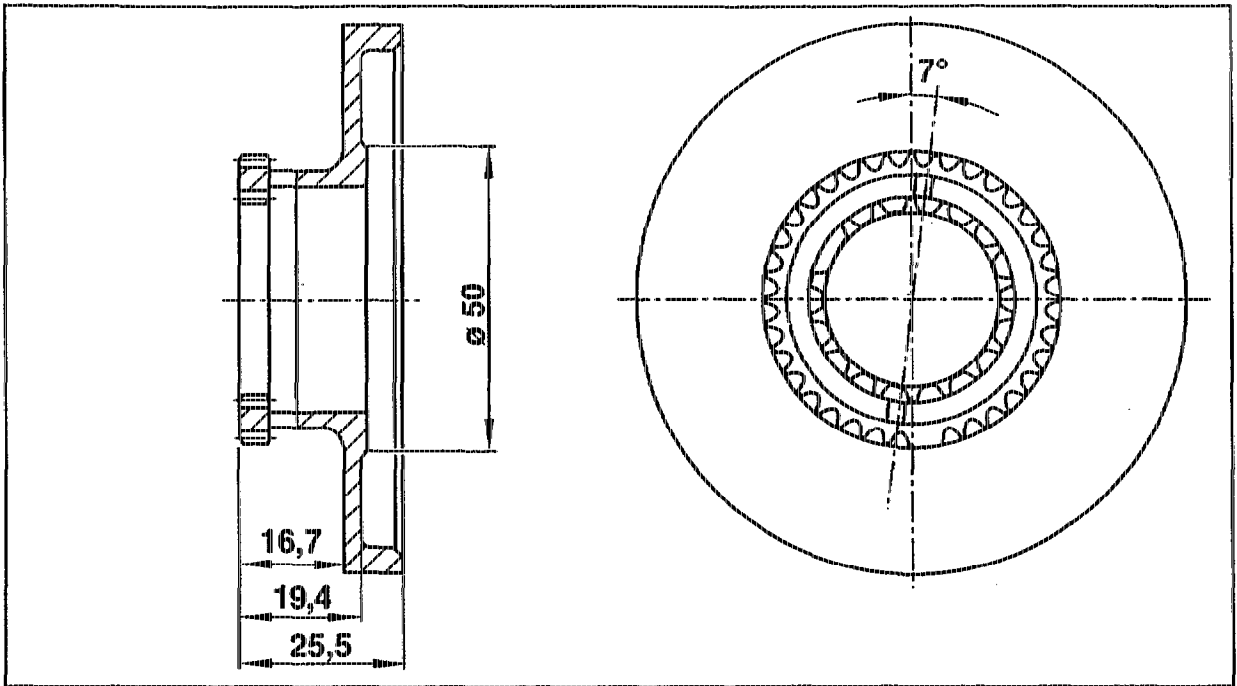
P05.20-0253-55

Positioning piston 104 051 06 37



P05.20-0254-55

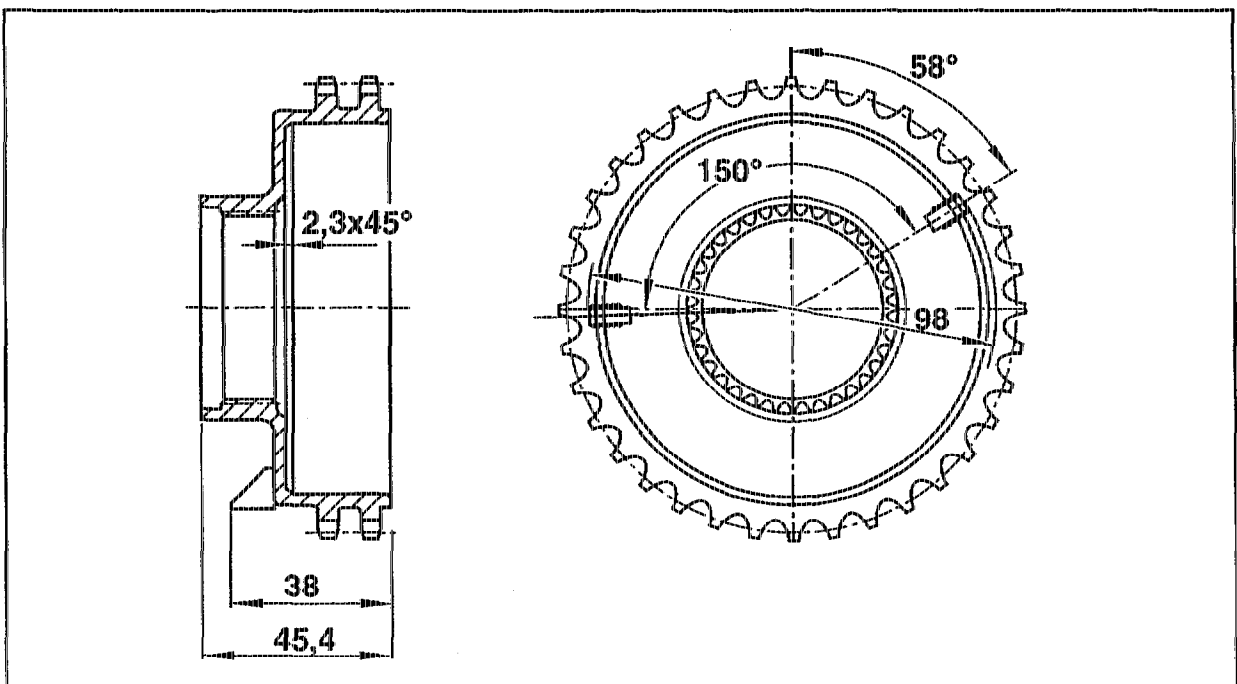
Positioning piston 104 051 09 37



P05.20-0255-55

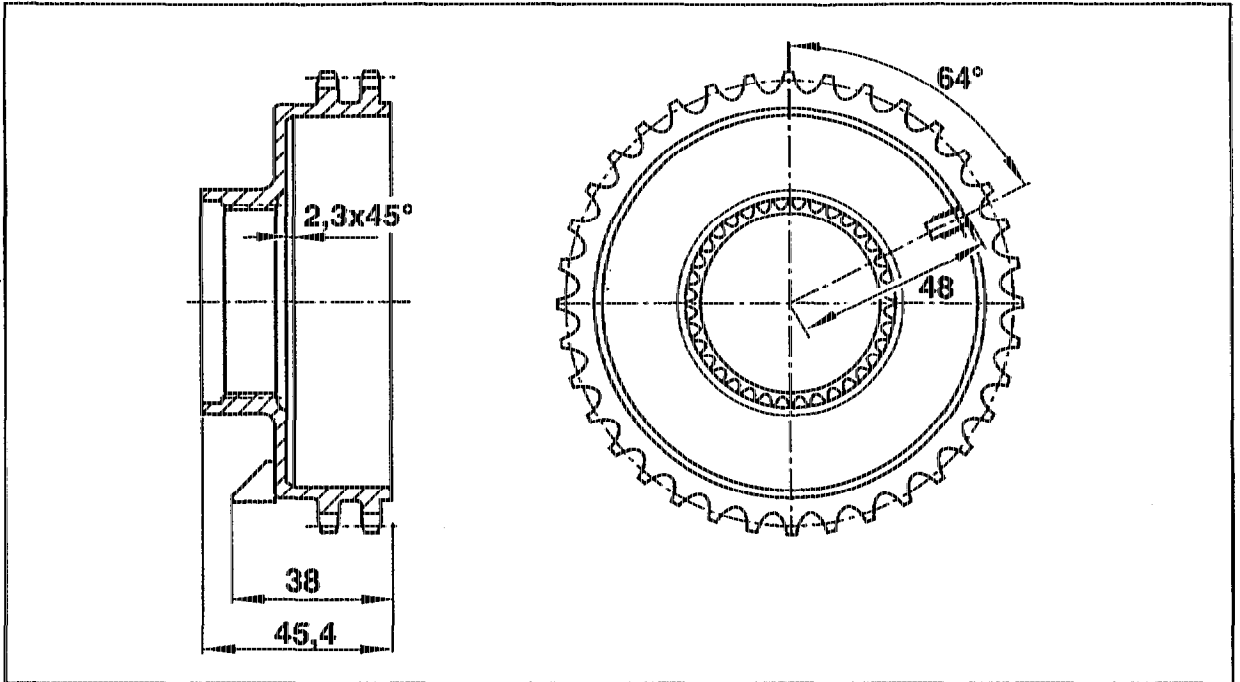
Positioning piston 104 051 07 37

Camshaft sprocket



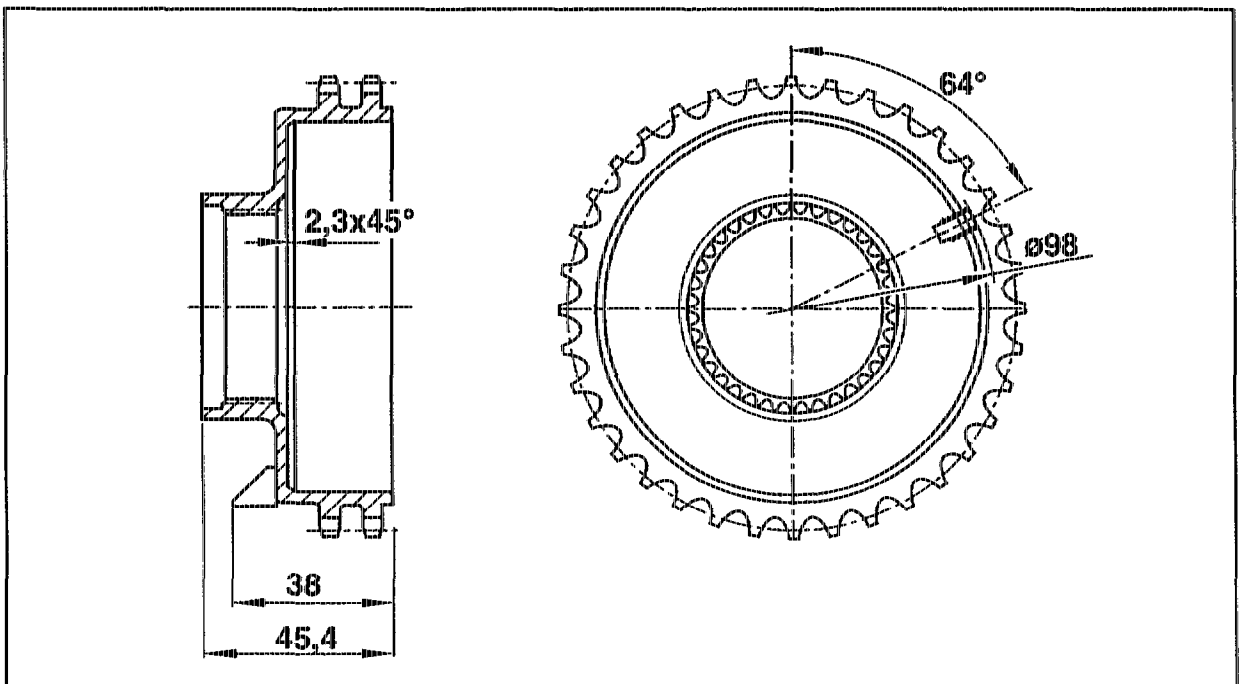
P05.20-0256-55

Camshaft sprocket 104 050 10 49



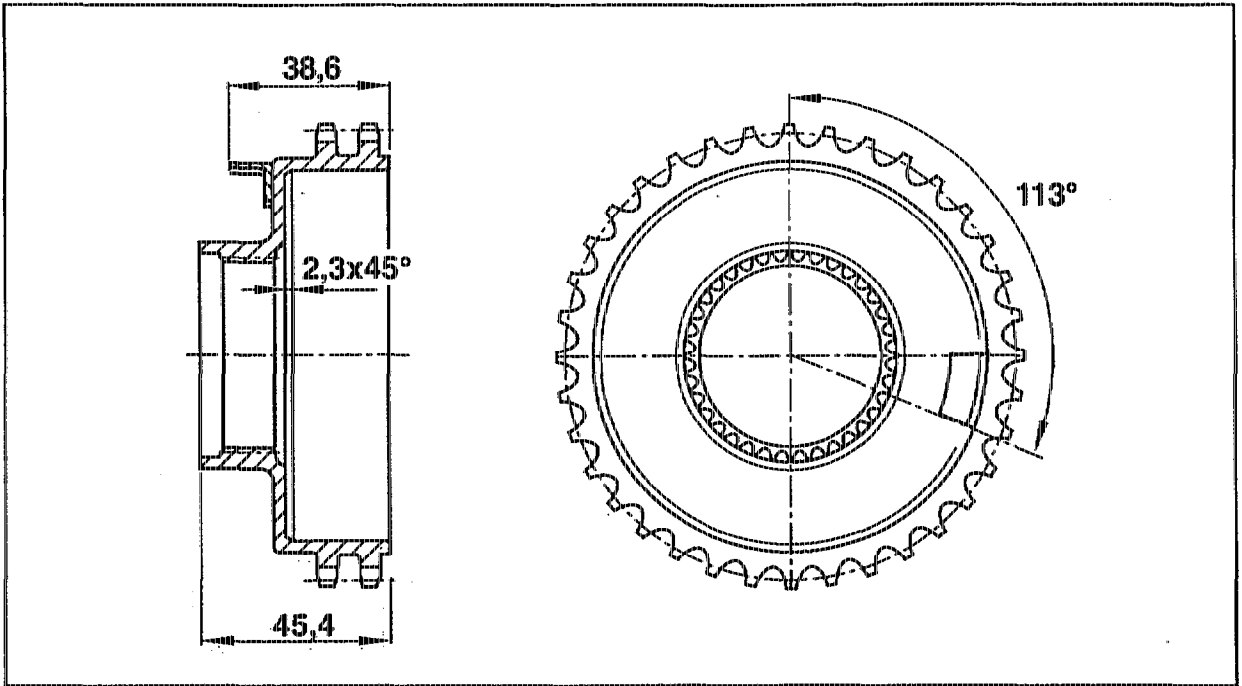
P05.20-0257-55

Camshaft sprocket 104 050 11 49



P05.20-0258-55

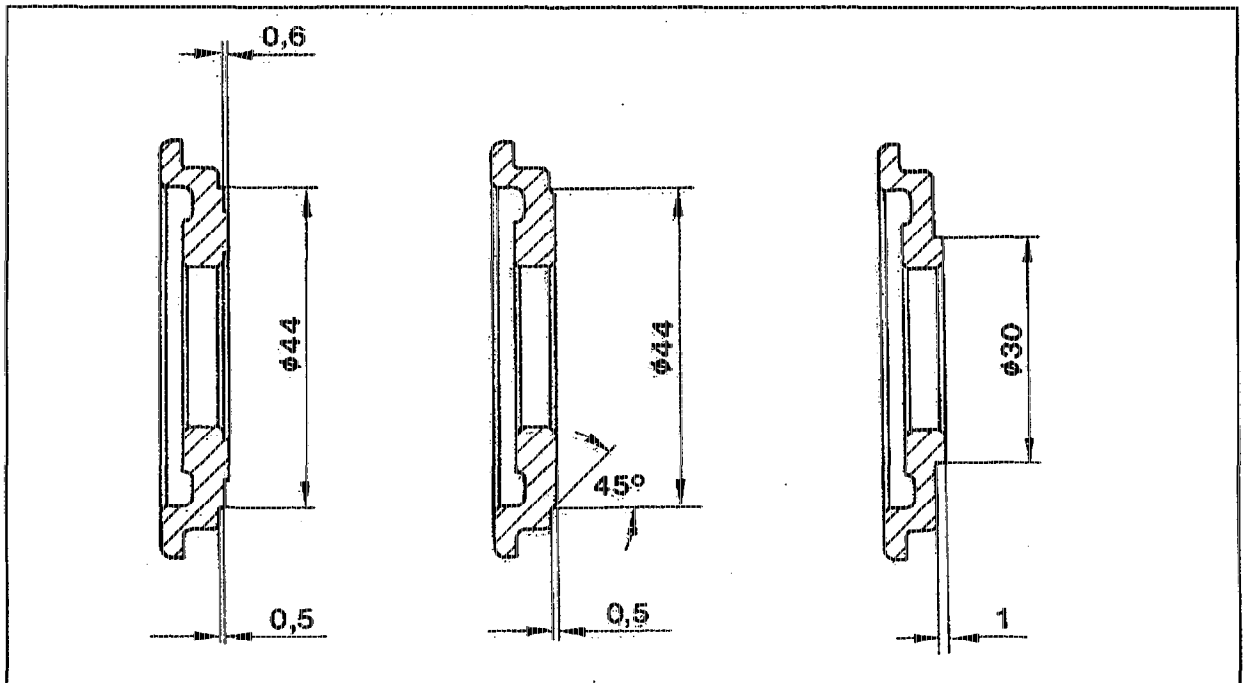
Camshaft sprocket 104 050 12 49



P05.20-0260-55

Camshaft sprocket 104 050 13 49

Cover



P05-5414-55

104 051 39 03
Engine 104.98

104 051 16 03
Engine 104.94
Engine 104.99
Engine 120

119 051 47 03
Engine 111
Engine 119
Engine 120

Engine 104 except AMG engines	104.941/942/ 943/944/991/ 992/994	104.980	104.990	103.943/944/ 945/991/994/ 995/996	012.458/12/22
Camshaft adjuster	104 050 09 47	104 050 10 47	104 050 07 47	104 050 08 47 104 050 12 47	104 050 11 47
Positioning piston		104 051 06 37 104 051 09 37		104 051 07 37 104 050 09 37	104 051 09 37
Flange shaft		104 051 03 84			104 051 04 84
Camshaft sprocket	104 050 12 49	104 050 11 49	104 050 10 49	104 050 11 49 104 050 13 49	104 050 11 49
Cover	104 051 16 03	104 051 39 03	104 051 16 03		
Sensor at camshaft sprocket	1				