

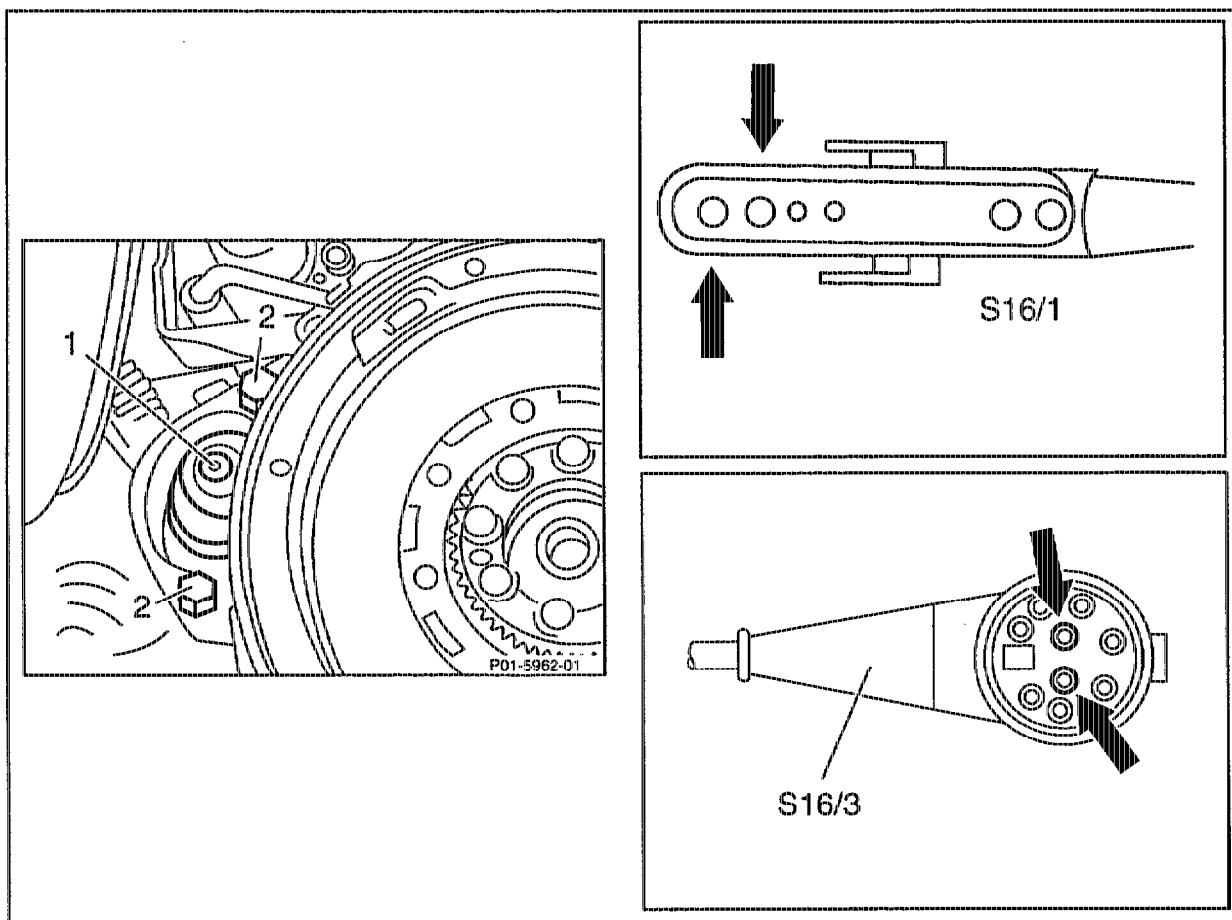
01-2240 Checking for leaks at rear of engine

Preceding work:

Manual transmission: two-mass flywheel removed (03-4620)

Automatic transmission: driven plates removed (03-4100)

Operation no. of operation texts and work units or standard texts and flat rates:



P01.40-0239-57

Rear of engine	clean.
Dried surrounding area	spray with Mercedes-Benz white contrast spray, part no. 000 989 03 59.
Oil level in engine	check, adjust to correct level (18-0020).
Manual transmission: two-mass flywheel	install (03-4620).
Automatic transmission: driven plate with ring gear	install (03-4100).
Starter (1)	bolt to crankcase with M10 × 60 hexagon bolts (2).
Engine	support in installation position at rear and secure.

Automatic transmission 722.3:	bridgecontacts (arrows) at starter lockout switch (S16/1).
Automatic transmission 722.5:	bridge contacts (arrows) at starter lockout switch (S16/3).
Engine	start, check for leaks.

Note

Automatic transmission 722.5:
Stored faults which may originate from disconnecting cables or simulation during test operations, must be erased in the fault memory after completing work.