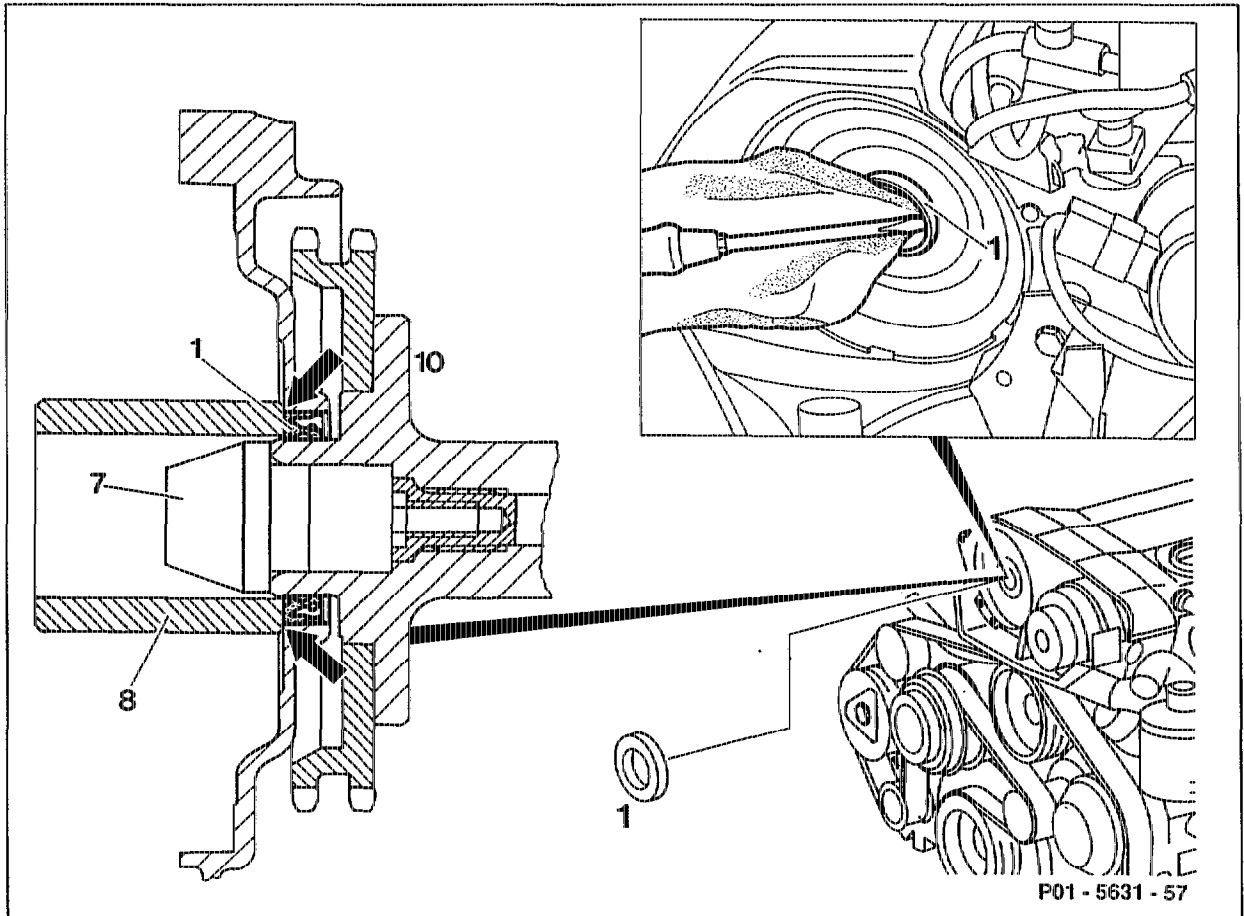


## 01-2140 Replacing radial shaft seal in front cover at top

Preceding work:  
Follower at camshaft removed (01-2130).

Operation no. of operation texts and work units or standard texts  
and flat rates

### Engine 104.980/981/990



Radial shaft seal (1) ..... use a screwdriver to prise out.



Do not damage camshaft (10) and mounting hole for radial shaft seal; use clean cloth as a base.

Insertion sleeve (7) 103 589 01 14 00 ..... fit on to camshaft (10).

Sealing lip of radial shaft seal (1) with ..... coat with engine oil.



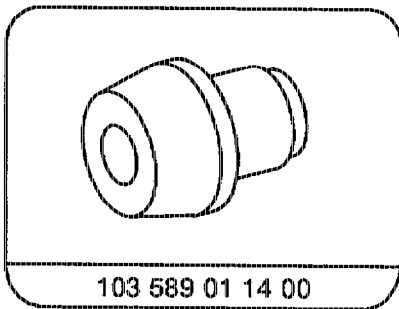
Do not use grease.

Radial shaft seal (1) ..... fit into insertion sleeve (7), press in flush (arrows) with sleeve (8) (shop-made).

**Note**

The radial shaft seal (1) must be positioned vertical to the camshaft (10) so that it provides a proper seal.

**Special tool**



**Shop-made tool**

Sleeve for pressing on radial shaft seal in front cover.

