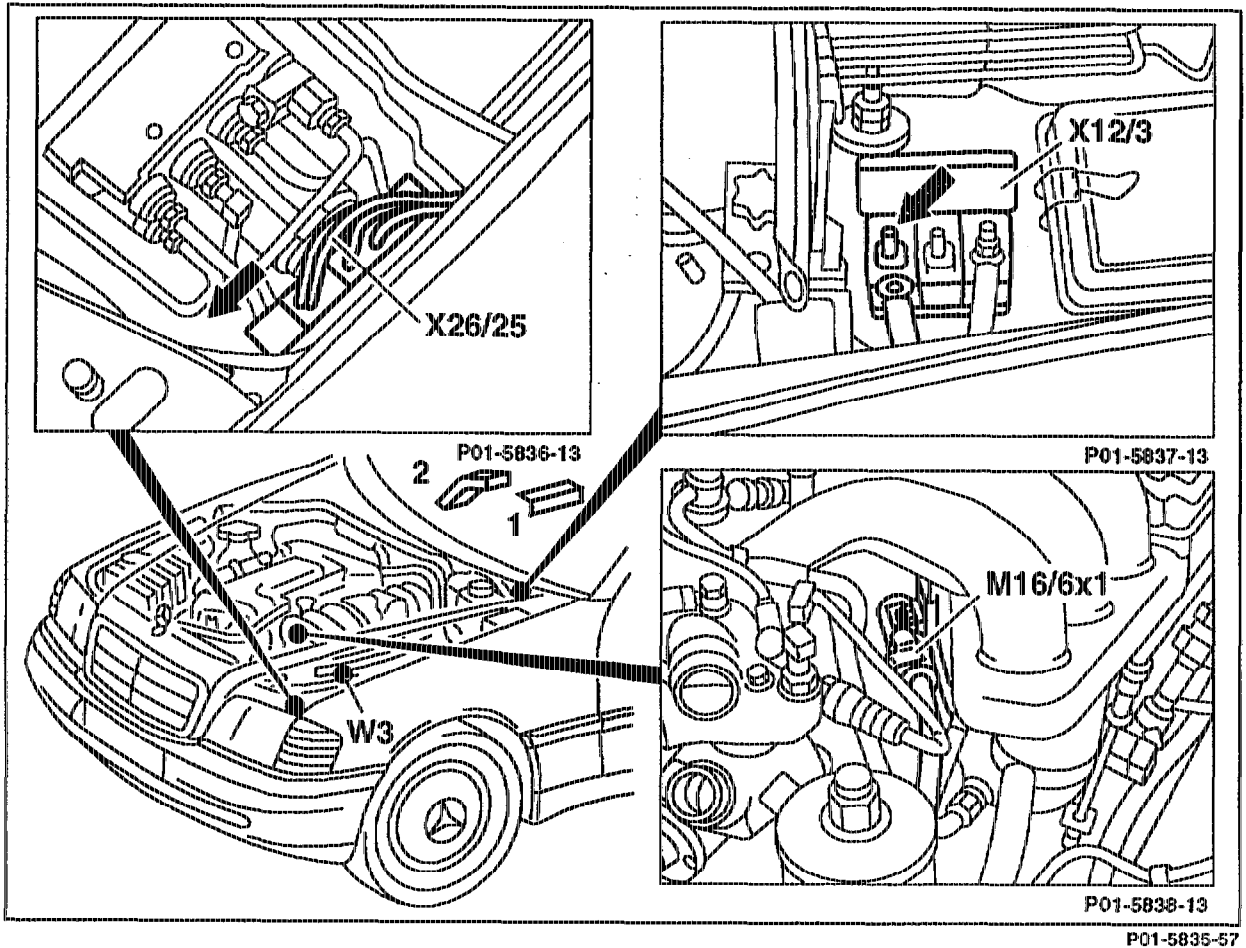
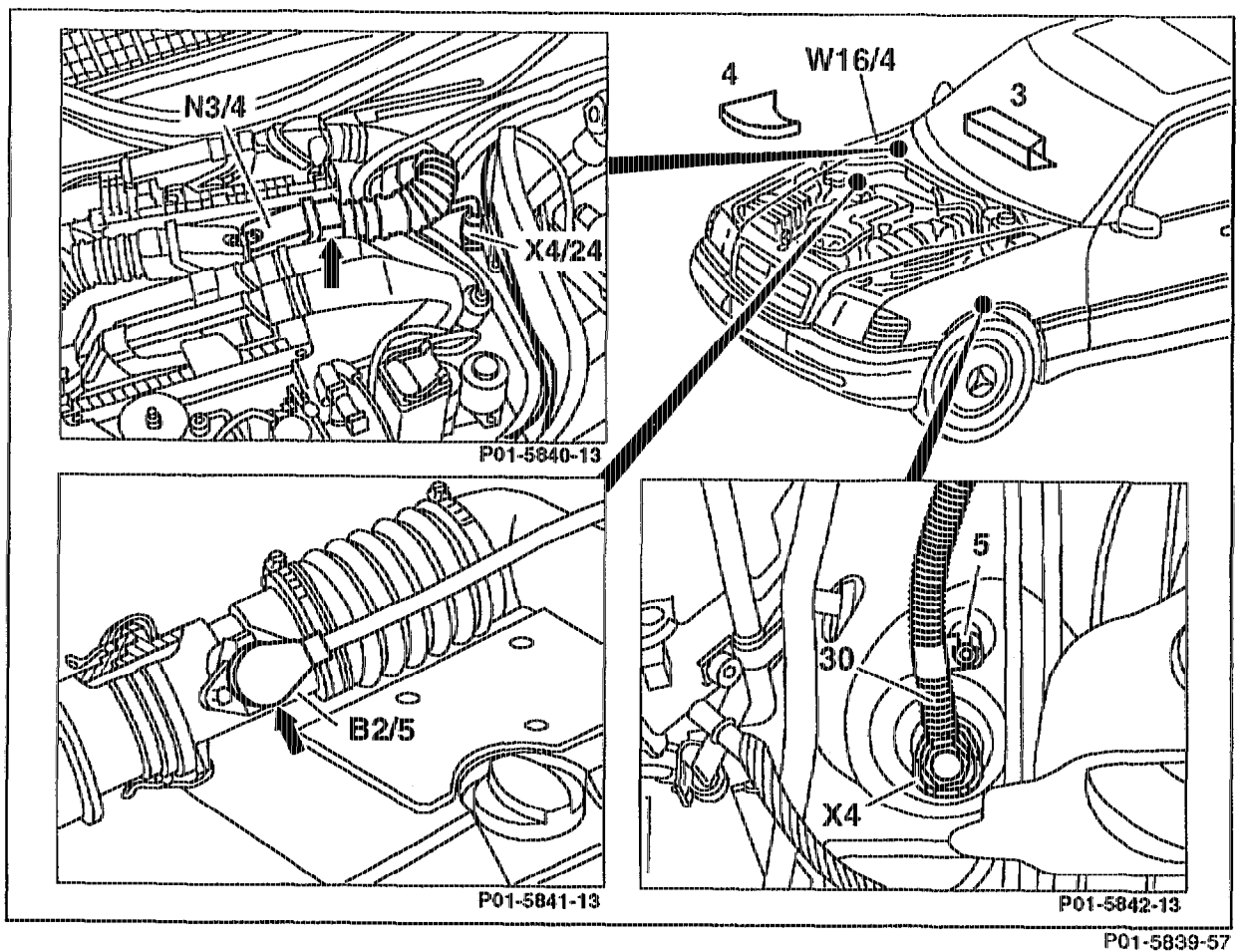


A. Model 202

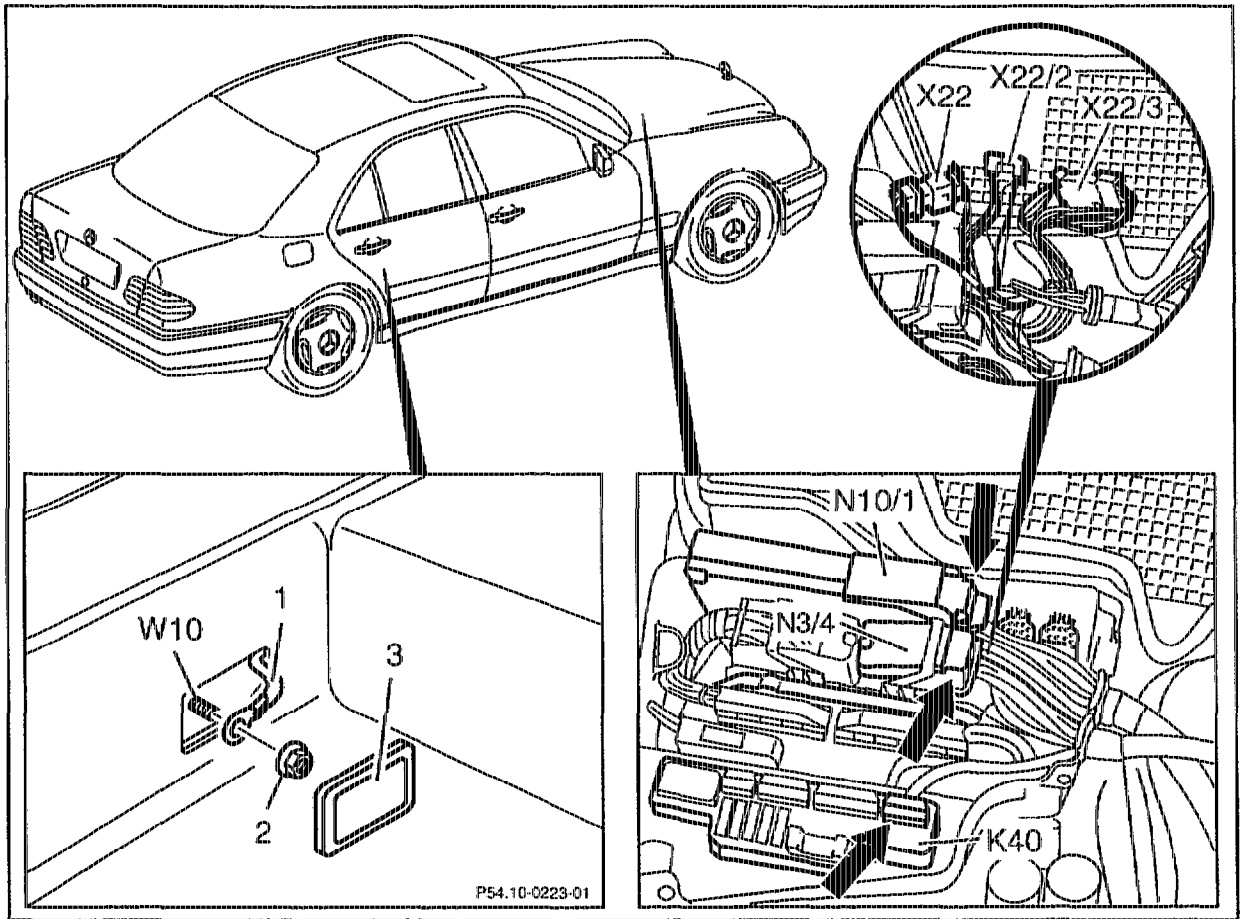


Ground cable at battery	disconnect, connect, encode radio.
Covers (1) and (2) over wiring harness at left wheelhouse	remove, install.
Locking bar of connector (X26/25)	pull forward and unplug coupling, plug in.
Cover of connector (X12/3)	open, close.
Wiring (arrow) at connector (X12/3)	unscrew, screw on.
If cruise control fitted:	unplug connector (M16/2x1), plug in.
Connector of actuator (M16/6x1) at bottom of intake manifold	separate, connect.
Ground (W3) at front left wheelhouse	unbolt, bolt on.



Cover (3) at engine component partition	remove, install.
Cover (4) over engine component compartment	remove, install.
Connector (arrow) at control module (N3/4)	unplug, plug in.
Connector (X4/24)	separate, connect.
Connector (arrow) at air mass sensor (B2/5)	unplug, plug in; slacken union nut, tighten for this step.
Ground (W16/4) in component compartment	unbolt, bolt on.
Cable (30) with bracket (5) at connector (X4) (outside of left footwell)	unbolt, bolt on.

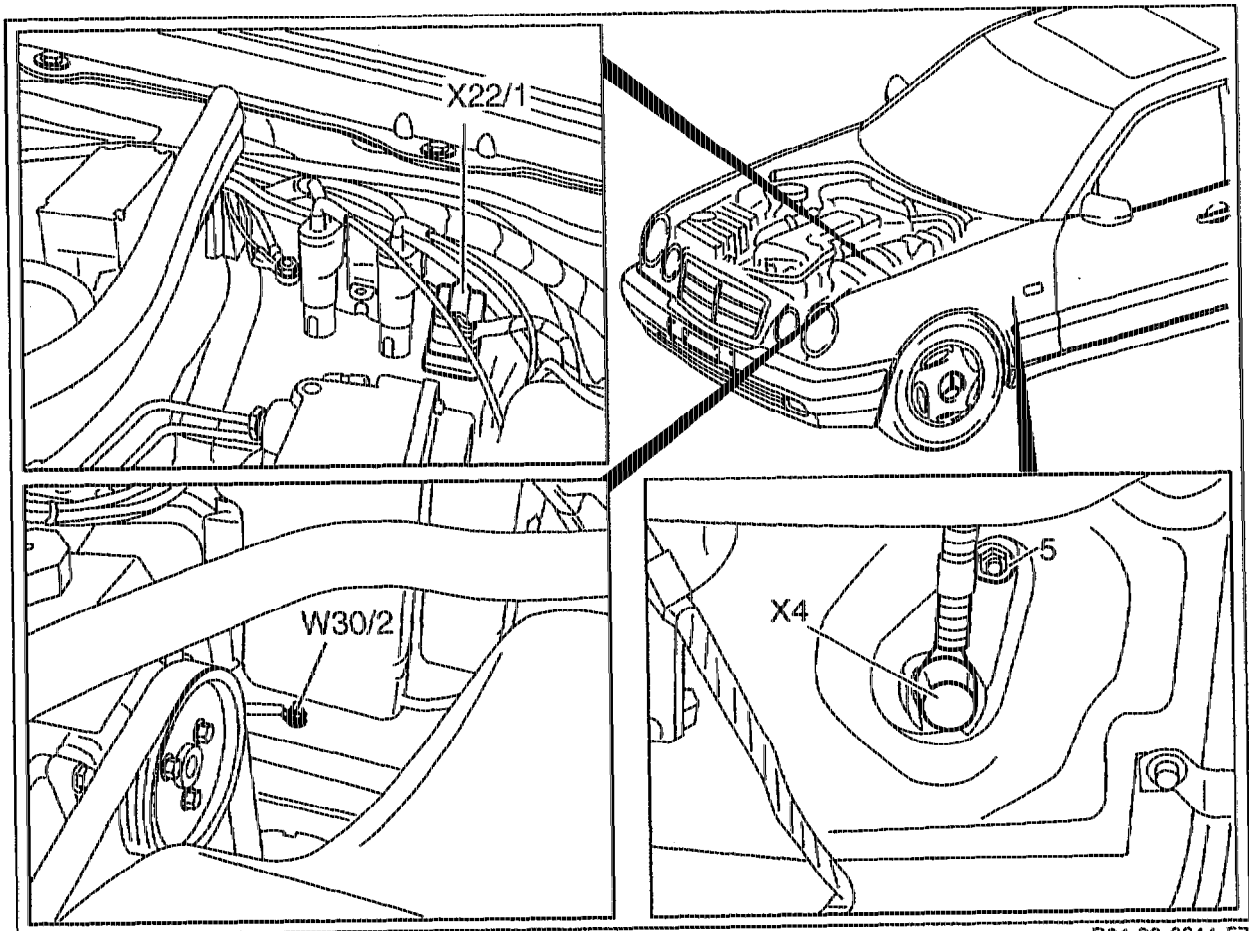
B. Model 210



P54.10-0223-01

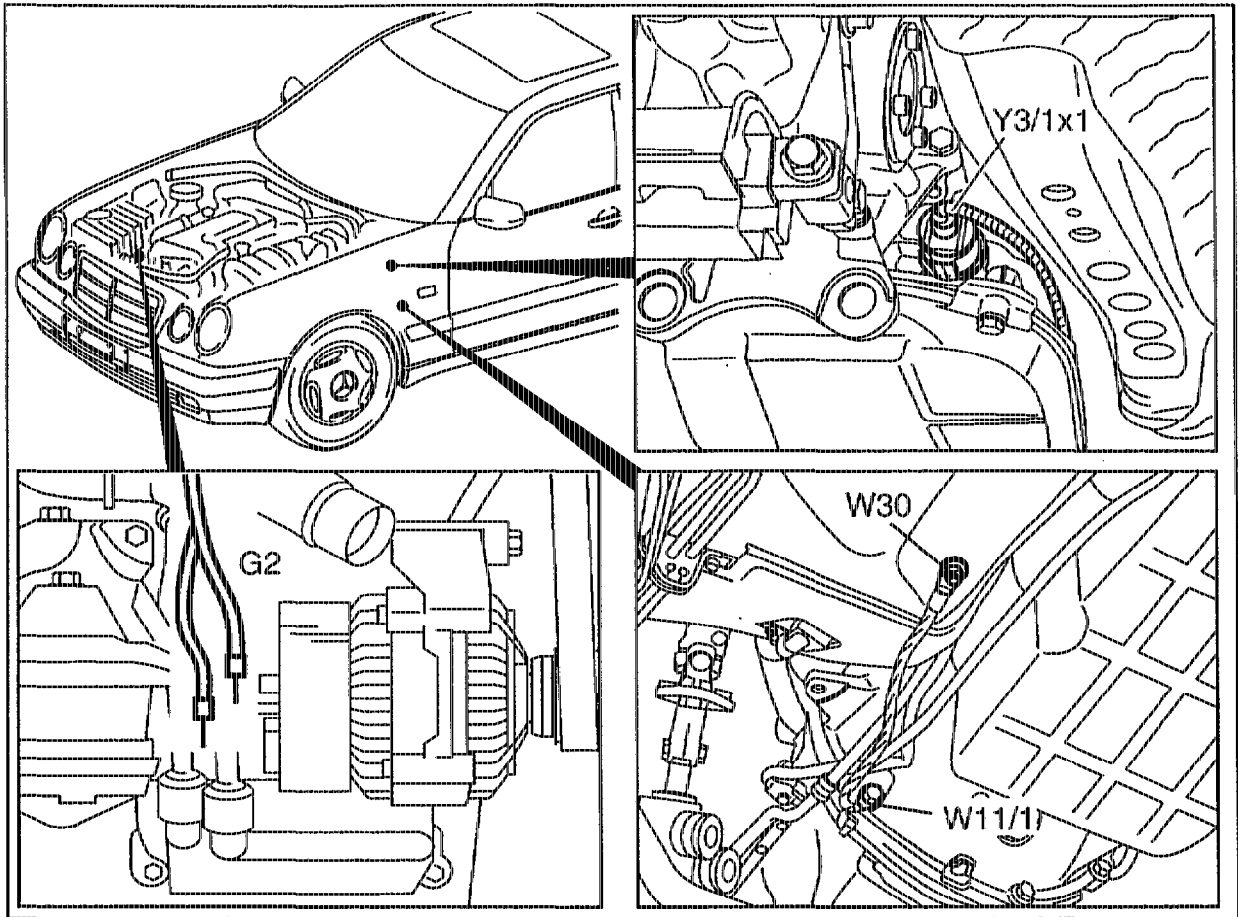
P01.00-0243-57

- | | |
|--|--|
| Ground cable of battery (W10) below rear seat . . | disconnect, connect, encode radio. |
| Cover over engine component compartment | remove, install. |
| Connector (arrow) at control module (N10/1) | unplug, plug in so that connectors (X22, X22/2, X22/3) are accessible. |
| Connectors (X22, X22/2, X22/3) | separate, connect. |
| Connector (arrow) at control module (N3/4) | unplug, plug in. |
| Connector (arrow) at relay module (K40) | unplug, plug in. |



P01.00-0244-57

Cable (terminal 30) with bracket (5) at connector (X4) (outside left of footwell)	unbolt, bolt on.
Windscreen washer fluid reservoir	remove, install.
If automatic transmission fitted:	unplug connector (X22/1) at front left wheelhouse, plug in.
Power steering pump interference suppression ground (W30/2)	unbolt, bolt on.
If AC fitted:	unplug connector at AC compressor, plug in.



P01.00-0245-57

- | | |
|---|---|
| Wiring at alternator (G2) | unbolt, bolt on. |
| Ground cable (W11/1) at engine | unbolt, bolt on. |
| If 5-speed automatic transmission fitted: | unplug connector (Y3/1x1) at automatic transmission, plug in. |