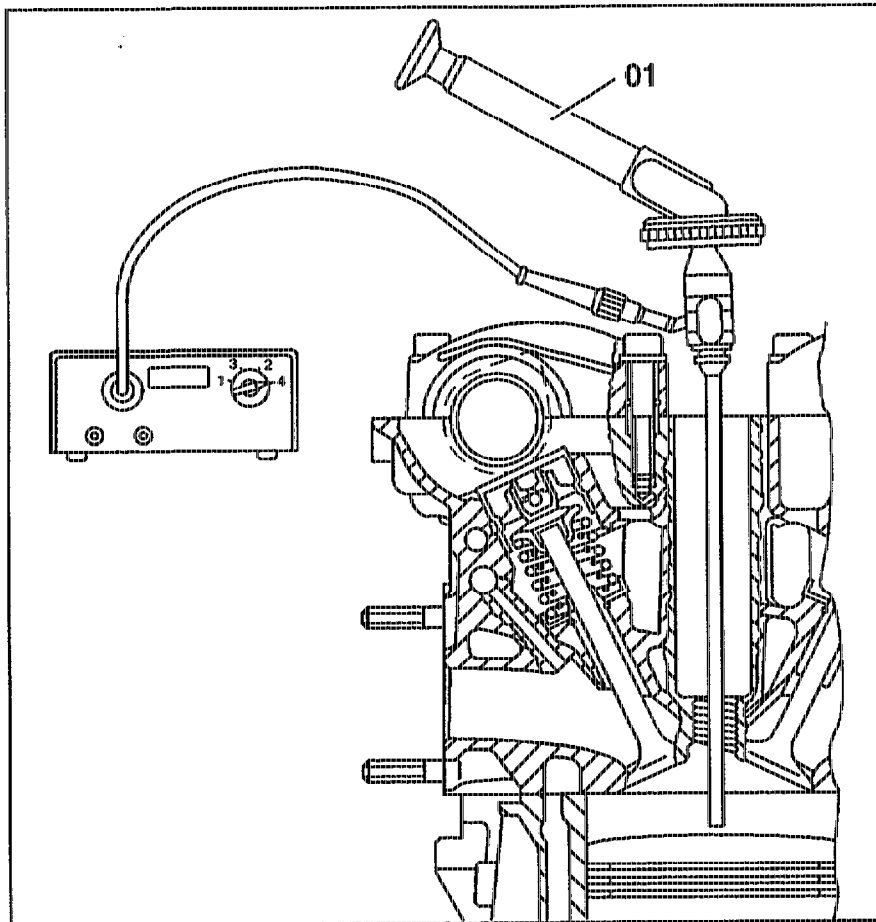


01-0200 Inspecting cylinders with inspection lamp, assessing

Preceding work:
 Removing, installing spark plugs (AP15.00-1580CA)
 Warning instructions when hood open (01-0085)

Operation no. of operation texts and work units or standard texts
 and flat rates:
 01-1321



P01-6031-37

Piston	set to BDC; see table.
Motoskop and lense probe	connect. Motoskop TW 12 V to car battery Motoskop TW 220 V to mains.
Lense probe	insert into cylinder, remove.
Cylinder	inspect, assess; see note.

Commercially available tool

Cylinder inspection equipment

e. g. Karl Storz GmbH,
78532 Tuttlingen
Motoskop TW (cold light)
with lense probe
103 26 CW (570 mm)
86590CF (700 mm long, focussable)

Marking index at TDC pointer	Piston in BDC position
60	3 and 4
180	1 and 6
300	2 and 5

Note

In assessing the honing pattern of the cylinder surface it is necessary to distinguish between "visual" streaks or "seizure" streaks.

Visual streaks are not roughened and may originate from the ring gap; the traces of honing are still visible.

In the case of **seizure streaks** or cylinder wear, the cylinder surface is roughened, or smoothed and the traces of honing are no longer visible.