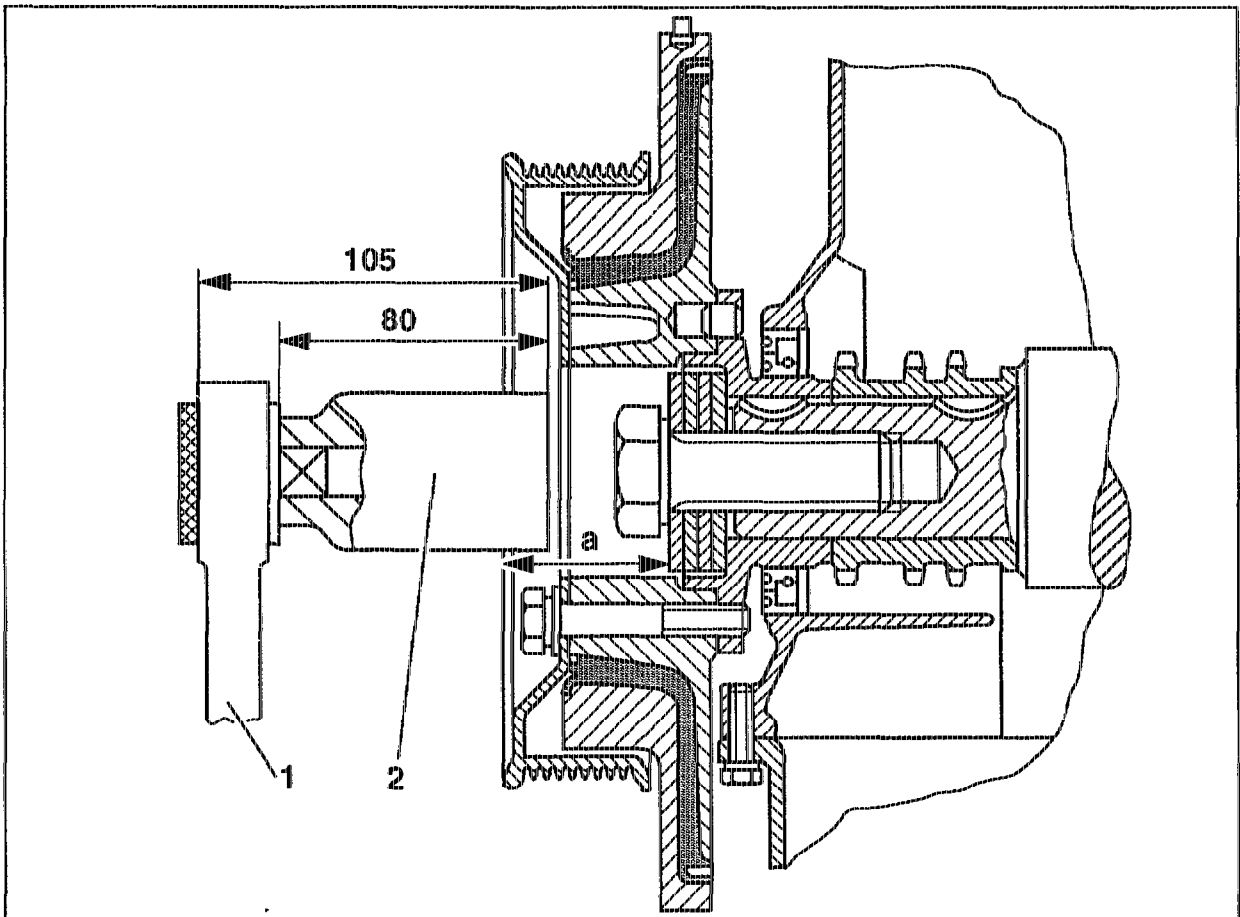


01-0120 Cranking engine at front of crankshaft

Preceding work:

Warning instructions when hood open (01-0085).



P01-5825-57

Size a = 38 mm

Cranking crankshaft from below

Models 124, 129, 202, 210

Fan cowl	remove, install (20-3400).
Vehicle	raise on lift platform, lower.
Bottom engine compartment panel	remove, install.
Crankshaft	crank with torque wrench (1) and wrench socket (2) 001 589 65 09 00 WAF 27 in direction of rotation of engine.
Model 202: crankshaft	crank with torque wrench (1) hexagon socket WAF 27 in direction of rotation of engine.

Model 140

- Fan cowl ring of fan cowl take off, fit on (20–3400).
- Vehicle raise on lift platform, lower.
- Bottom engine compartment panel remove, install (Maintenance Manual 6190).
- Crankshaft with torque wrench (1) and wrench socket (2) 001 589 65 09 00 WAF 27 in direction of rotation of engine crank.

Cranking engine at crankshaft from above

Models 124, 129, 140, 210

- Fan cowl remove, install (20–3400).
- Crankshaft crank with torque wrench (1) and wrenchsocket (2) waf 27 in direction of rotation of engine.

Model 202

- Viscous fan clutch remove, install (20–3120).
- Crankshaft crankwith torque wrench (1) hexagon socket waf 27 in direction of rotation of engine.

Special tools

