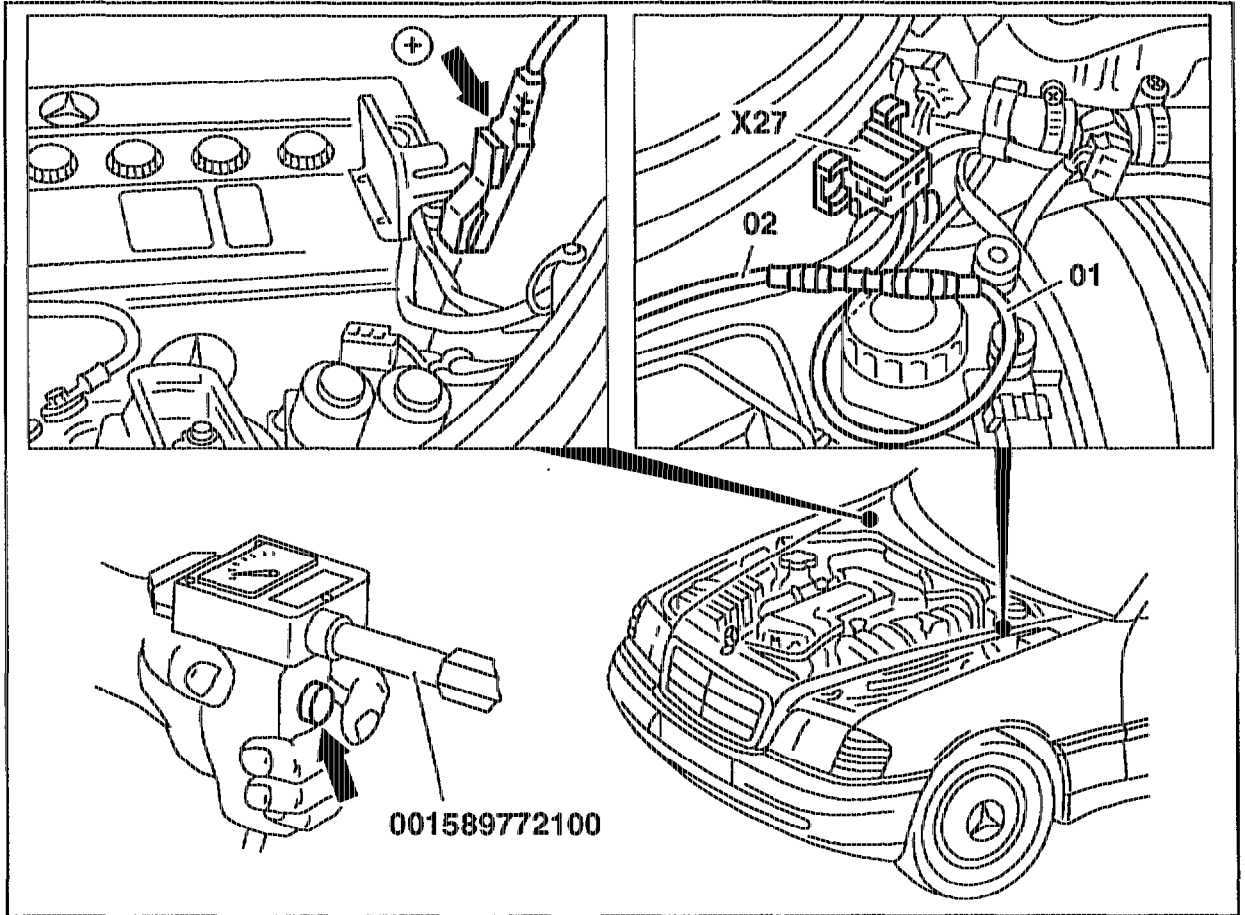


01-0110 Cranking engine with starter

Preceding work:
Warning instructions when hood open (01-0085).

A. Model 124



P01-5819-57

Ignition	switch off.
Clamp (arrow) of compression pressure recorder 001 589 77 21 00	clamp onto positive cable of battery.
Plug of connector (X27)	unplug.
Adapter cable (01) 124 589 36 63 00	connect to connector (X27).
Adapter cable (01)	connect to cable (02) of compression pressure recorder.
Engine	crank by pressing contact handle (arrow) on compression pressure recorder in idle speed position and parking brake applied

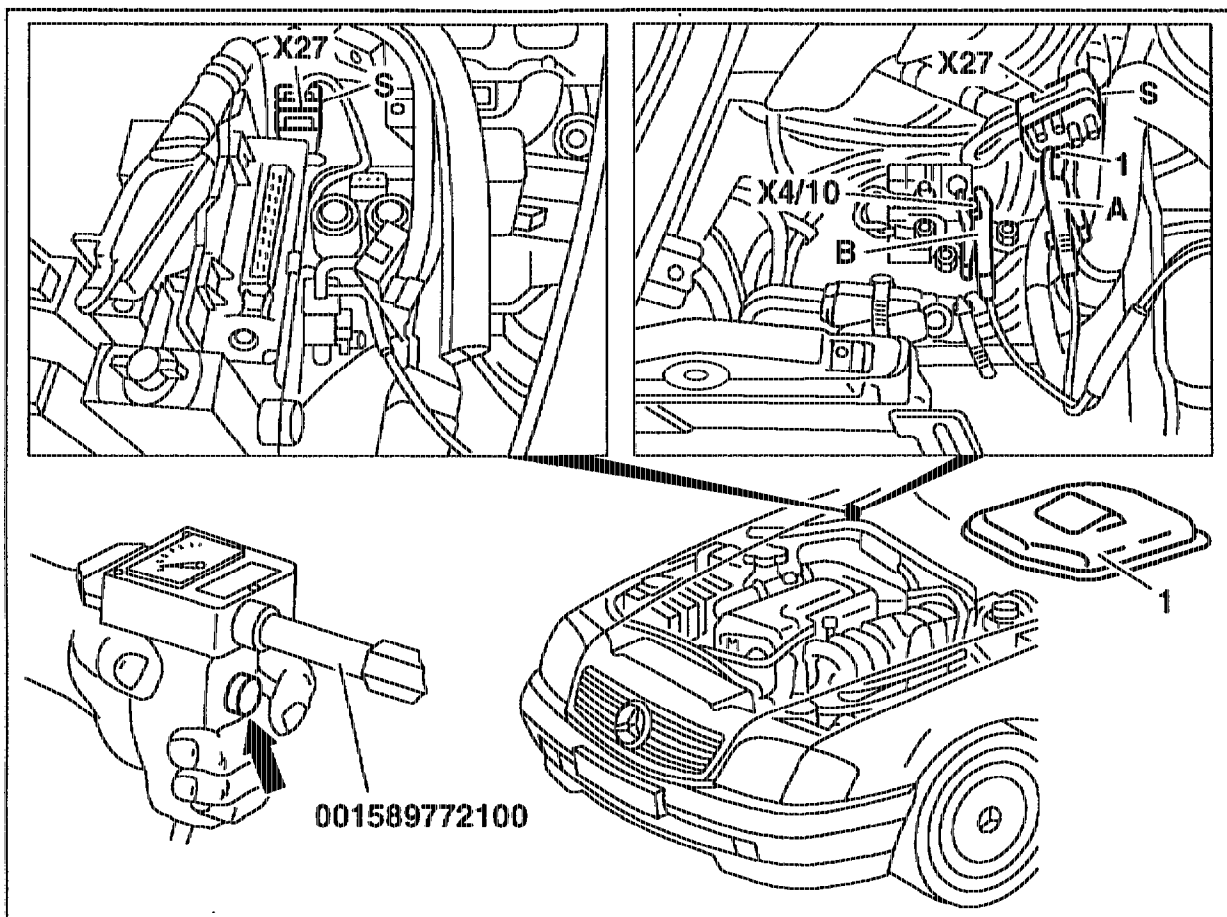


Do not crank engine at ignition/starter switch.

B. Model 129

Preceding work:

Warning instructions when hood open (01-0085).



P01-5820-57

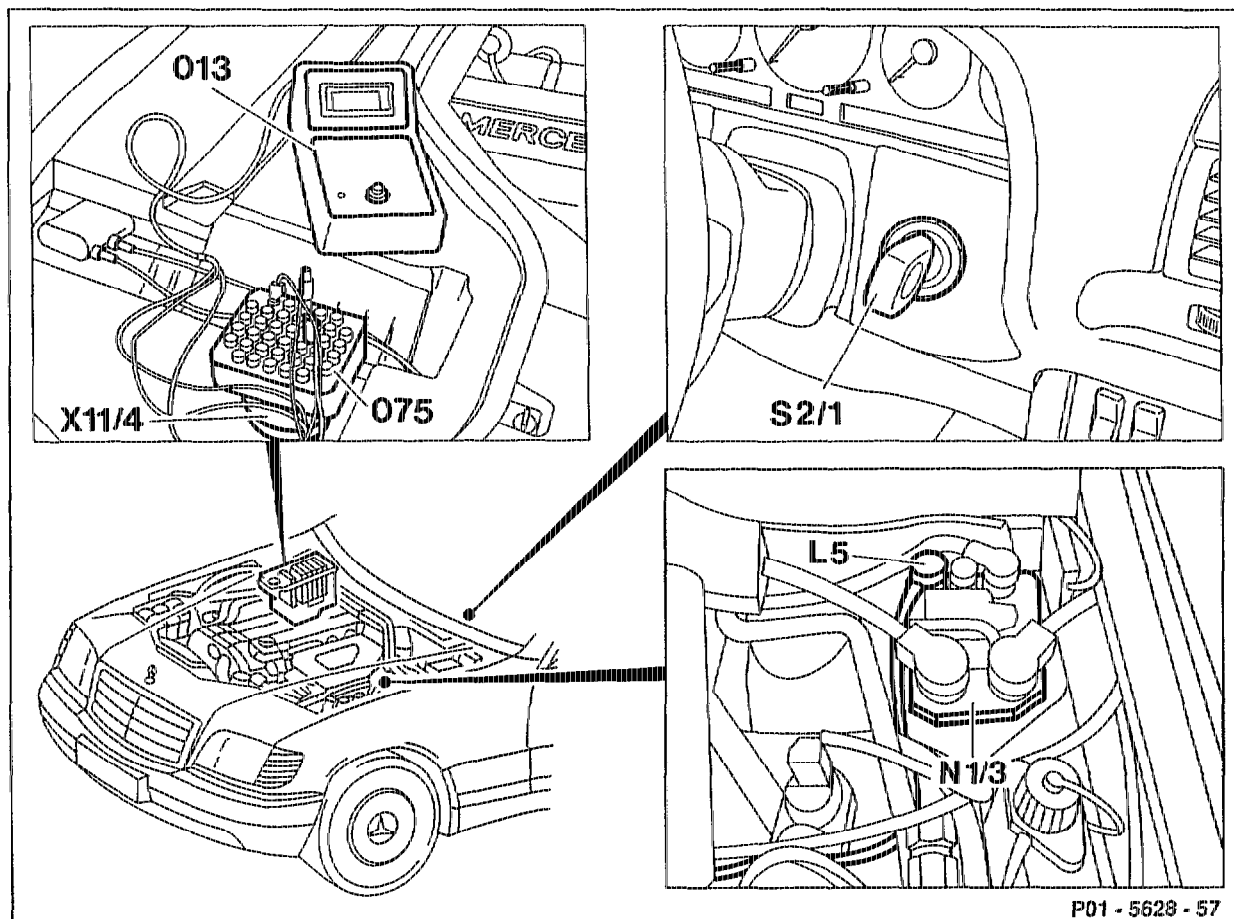
Ignition	switch off.
Cover (1) over component compartment panel ..	remove, install.
Plug of connector (X27)	unplug.
Clamp (A) of compression pressure recorder 001 589 77 21 00 at pin 1 of connector (S)	connect.
Cover of connector (X4/10)	open, close.
Clamp (B) of compression pressure recorder ...	connect to terminal block (X4/10).
Engine	crank by pressing contact handle (arrow) on compression pressure recorder in idle speed position and parking brake applied.



Do not crank engine at ignition/starter switch.

C. Model 140

Preceding work:
Warning instructions when hood open (01-0085).



P01 - 5628 - 57

013 Pulse counter
0975 Pulse counter adapter
X11/4 Data link connector (38-pin)

Cover on left over DI ignition control module	take off, fit on.
Connector of crankshaft position sensor (L5) AT	
DI ignition control module (N1/3)	pull off, fit on.
Engine	crank by means of ignition/starter switch (S2/1).
DI ignition control module (N1/3) fault memory	read (see Diagnosis Manual Engine Volume 2, Index 0).

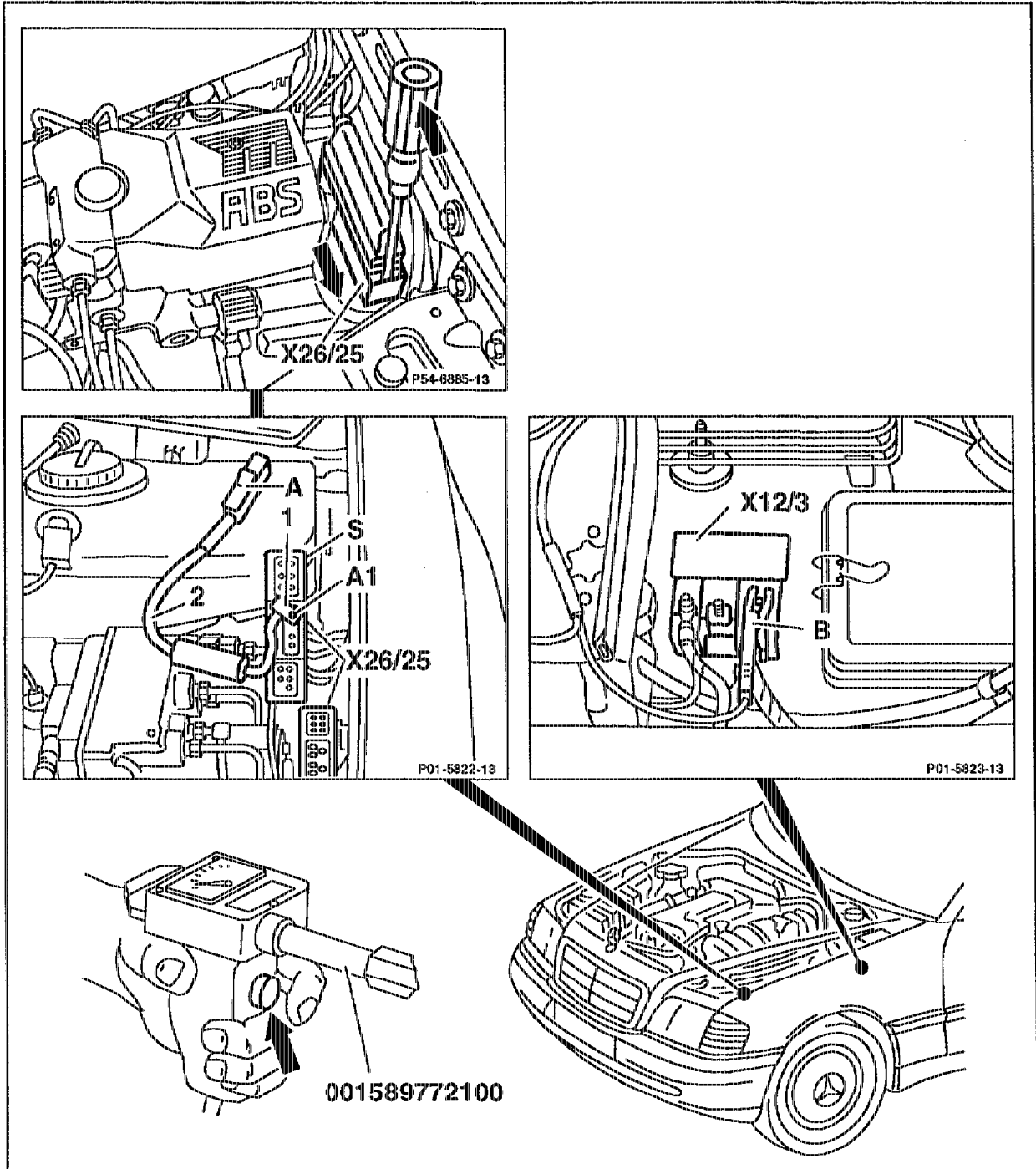
Note

If the engine is started with the crankshaft position sensor (L5) unplugged, a fault is stored in the DI ignition control module (N1/3) fault memory (contact 17, pulse readout 17). This fault must be erased after completing work.

D. Model 202

Preceding work:

Warning instructions when hood open (01-0085).



P01-6032-61

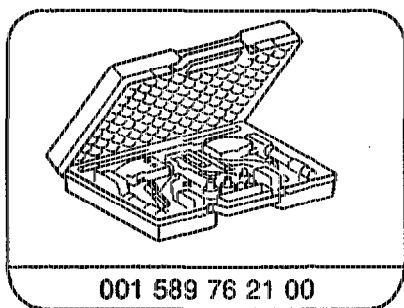
Ignition	switch off.
Cover (1) over connector (X26/25)	pull off, fit on.
Locking clamp of connector (X26/25)	pull forward with screwdriver.
Connector (S) of connector (X26/25)	unplug, plug in.

Adapter cable (2)	connect to pin (A1), disconnect.
Terminal (A) of compression tester	connect to adapter cable (2).
Cover at connector (X12/3)	open, close.
Terminal (B) of compression tester	connect to connector (X12/3, terminal 30), disconnect.
Engine	crank by pressing contact switch (arrow) at compression tester, in idle speed position and handbrake applied.



Do not crank engine at ignition/starter switch.

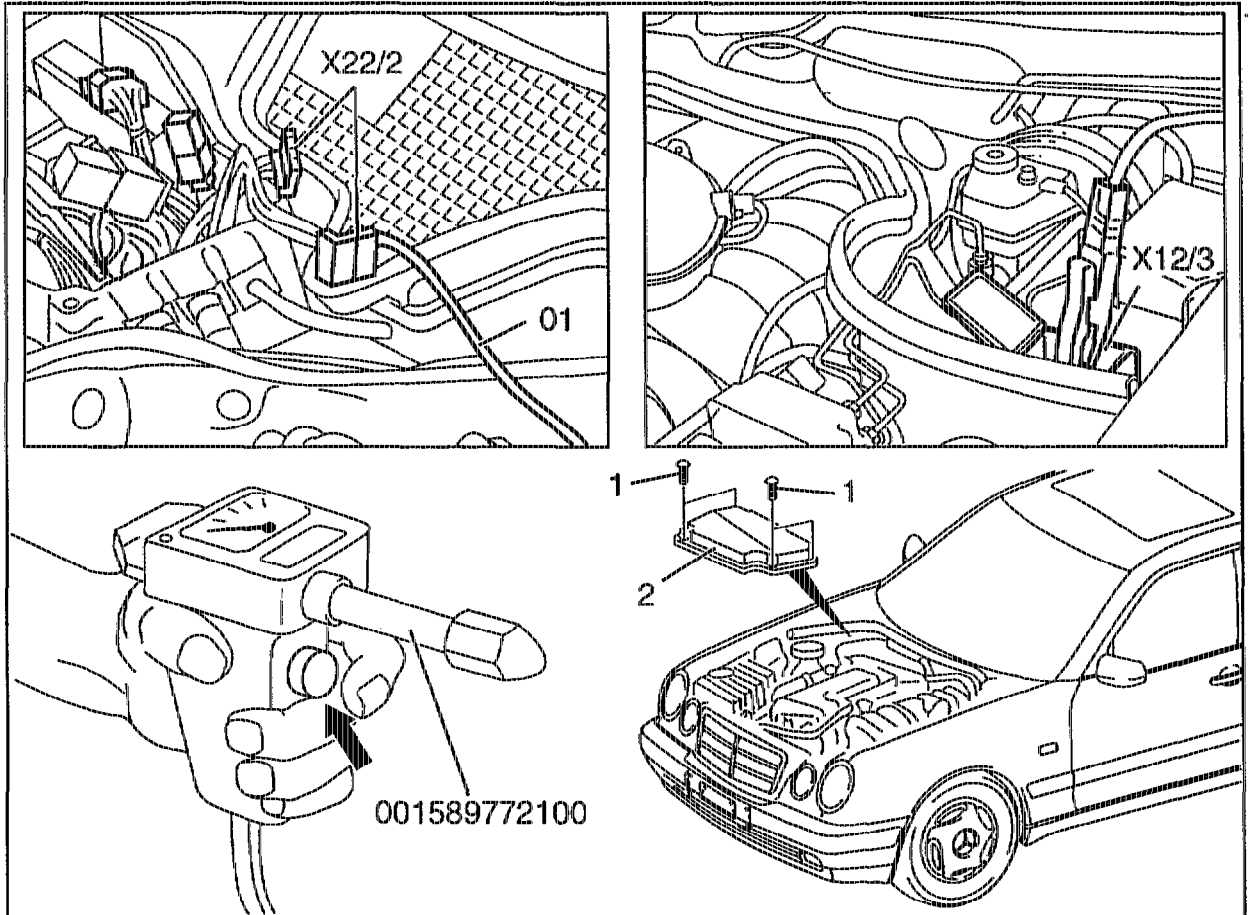
Special tool



E. Model 210

Preceding work:

Warning instructions when hood open (01-0085).



P01.00-0242-57

Ignition	switch off.
Cover (2) over engine component compartment .	remove, install.
Plug of connector (X22/2) terminal 50	unplug.
Adapter cable (01) 124 589 36 63 00	connect to connector (X22/2) terminal 50.
Cover of connector (X12/3)	open, close.
Terminal of compression tester 001 589 77 21 00	clamp to connector (X12/3) terminal 30.
Adapter cable (01)	connect to cable of compression tester.

Engine

crank by pressing contact switch (arrow) at compression tester, in idle speed position and handbrake applied.



Do not crank engine at ignition/starter switch.

Special tool

